

# Series SB79 Ball Valve

Three-Piece *CleanFLOW™* Hastelloy Ball Valve  
Sizes 1/2" ~ 4"



CleanFLOW™ SB79 Hastelloy ball valves are engineered to be a true process piping component to specifically meet the demanding processes found in the pharmaceutical and food & beverage industries. The "Tube-ID" port opening is dimensionally identical to the adjacent tubing to comply with ASME-BPE guidelines.

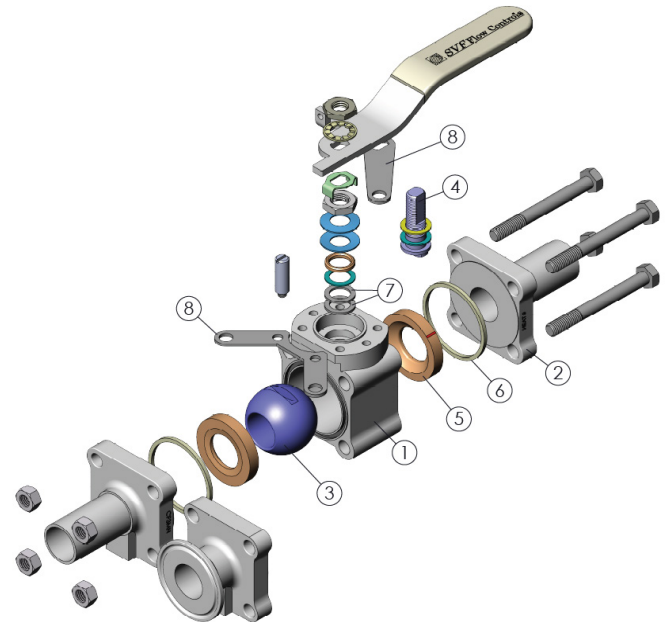
## SERIES SB79 DESIGN FEATURES

- ✓ ASME-BPE compliant
- ✓ Silicone Free
- ✓ Cavity filled TFM1600™ seat option available
- ✓ Drainable design with "Tube-ID" dimensions
- ✓ Weld bosses for easy purge porting on ends
- ✓ ISO 5211 mounting pad for easy actuation
- ✓ Encapsulated body seals to facilitate welding without disassembly
- ✓ End connections include Tri-Clamp and Extended Tube O.D.
- ✓ Chevron (V-Ring) Stem Seals assures low friction and leak tight performance (Sizes 2-1/2" ~ 4" only)
- ✓ Standard interior finish is 15Ra or better
- ✓ ETO ends are designed for Orbital Welding
- ✓ Exclusive "Fine Adjust" handle for precise positioning on sizes 1/2" ~ 2"
- ✓ Locking device is standard on 3" and 4" valves



## MATERIALS OF CONSTRUCTION

ITEM	DESCRIPTION	MATERIALS SPECIFICATIONS
1	Body	Hastelloy C276 (ASTM A494 CW12MW) Hastelloy C22 (ASTM A494 CX2MW)
2	End Connector	Hastelloy C276 (ASTM A494 CW12MW) Hastelloy C22 (ASTM A494 CX2MW)
3	Ball	Hastelloy C276 (ASTM A494 CW12MW) Hastelloy C22 (ASTM A494 CX2MW)
4	Stem	Hastelloy C276 (ASTM A494 CW12MW) Hastelloy C22 (ASTM A494 CX2MW)
5	Seat	TFM1600™
6	Body Seal	PTFE, TFM1600™
7	Stem Seal	TFM1600™
8	Locking Device (Optional)	304 Stainless Steel



The Series SB79 Ball Valve is available with additional options.

There are no elastomers used for any of the components on the SB79 valves. Only PTFE and TFM are used for seats and seals.



# Series SB79 Ball Valve

Three-Piece *CleanFLOW™* Hastelloy Ball Valve  
 Sizes 1/2" ~ 4"

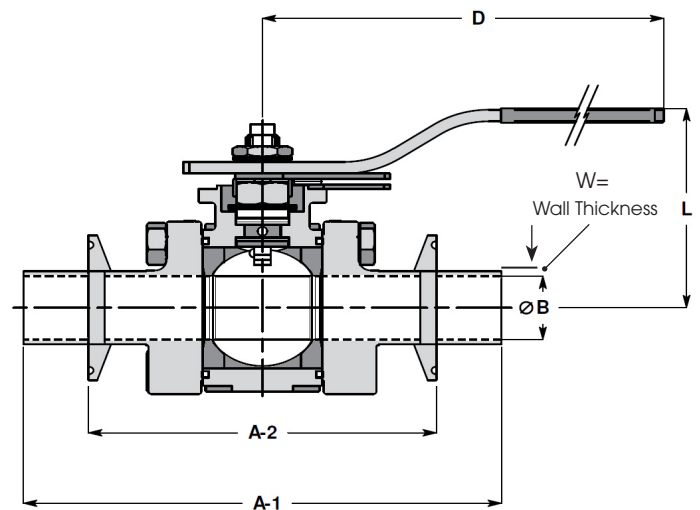
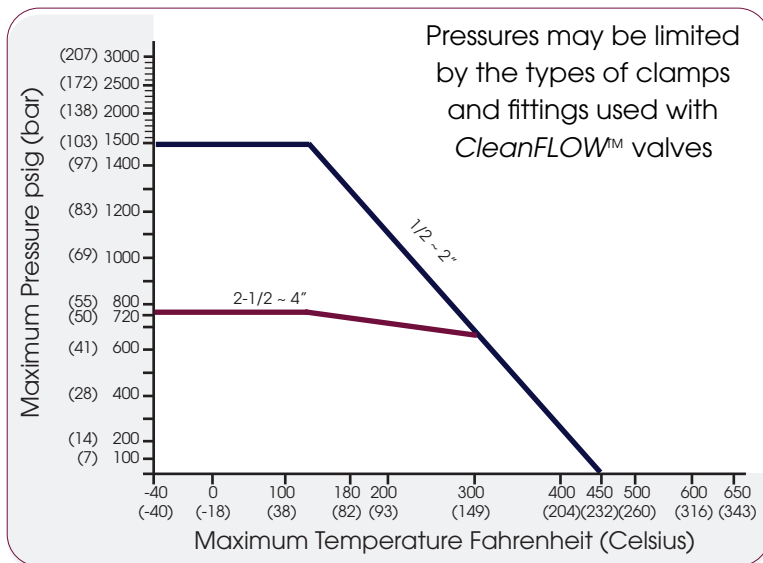


## DIMENSIONS, WEIGHT, CV, TORQUE

Size	A-1		A-2		B		D		L		W		Weight		Cv	Torque* Non-Cavity		Torque* Cavity	
	in.	mm	in.	mm	in.	mm	in.	mm	in.	mm	in.	mm	lbs	kg		in-lbf	Nm	in-lbf	Nm
1/2"	5.50	140	3.50	89	0.37	9	5	114	2.22	56	0.065	1.7	2	0.9	8	60	7	100	11
3/4"	6.00	152	4.00	102	0.62	16	5	114	2.28	58	0.065	1.7	2	0.9	29	60	7	140	16
1"	6.50	165	4.50	114	0.87	22	6	146	2.56	65	0.065	1.7	4	1.8	66	100	11	210	24
1-1/2"	7.50	191	5.50	140	1.37	35	7	178	3.09	78	0.065	1.7	8	3.6	192	200	23	490	55
2"	8.00	203	6.25	159	1.87	47	7	178	3.45	88	0.065	1.7	13	5.9	434	250	28	520	59
2-1/2"	9.50	241	6.75	171	2.37	60	10	254	5.35	136	0.065	1.7	23	10.4	723	450	51	900	102
3"	10.50	267	7.00	178	2.87	73	14	348	6.55	166	0.065	1.7	31	14.1	1124	1300	147	1400	158
4"	12.50	318	8.50	216	3.83	97	22	559	7.14	181	0.083	2.1	46	20.9	2100	1400	158	1500	170

## SB79 - PRESSURE/TEMPERATURE CHART

\* At full differential pressure for clean fluids



**Class 600** (Sizes: 1/2" to 2")

**Class 300** (Sizes: 2-1/2" to 4")

# Series SB79 Ball Valve

Three-Piece *CleanFLOW™* Hastelloy Ball Valve  
 Sizes 1/2" ~ 4"



How To Order Guide (Columns 1 thru 11)

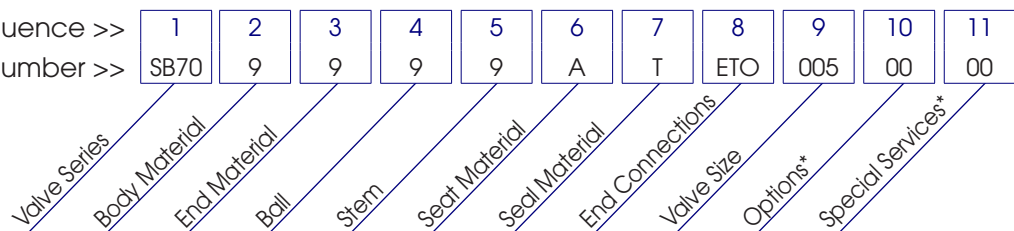
1 SERIES	2 BODY	3 ENDS	4 BALL	5 STEM	6 SEAT MATERIAL
SB70	9 = Hastelloy C276 ASTM A494 CW12MW  H = Hastelloy C22 ASTM A494 CX2MW	9 = Hastelloy ASTM A494 CW12MW  H = Hastelloy C22 ASTM A494 CX2MW	9 = Hastelloy ASTM A494 CW12MW  H = Hastelloy C22 ASTM A494 CX2MW	9 = Hastelloy ASTM A494 CW12MW  H = Hastelloy C22 ASTM A494 CX2MW	A = TFM1600™ Q = TFM1600™ Cavity Filled

7 BODY SEAL	8 END CONNECTIONS	9 VALVE SIZE	10 OPTIONS*	11 SPECIAL SERVICES*
T = PTFE	TR0 = Tri-Clamp Ends  ETO = Extended Tube-OD Ends  JAH = Extended Tube-OD End X Tri-Clamp End (Extended Tube-OD End is under the handle on manual valves)	005 = 1/2"  007 = 3/4"  010 = 1"  015 = 1-1/2"  020 = 2"  025 = 2-1/2"  030 = 3"  040 = 4"	00 = None LK = Locking Device OH** = Oval Handle AD = Anti-Static Device AA = Oval Handle & Locking Device AC = Locking Device & Anti-Static Device AG = ISO Stem Extension & Locking Device JA = Oval Handle, ISO Stem Extension & Locking Device JB = Oval Handle, ISO Stem Extension & Anti-Static Device JE = Locking Device, ISO Stem Extension & Anti-Static Device	00 = None XC = Oxygen Cleaned EP = Electropolished SB = 10Ra ID Finish

Order Example: (SB709999ATETO0050000) The Part Number will contain 20 digits.

Ordering Code Sequence >>

Sample Part Number >>



\*Not all Options or Special Services available on all ball valves. Consult SVF for additional information.

\*\*Oval handles are only available up to size 2"