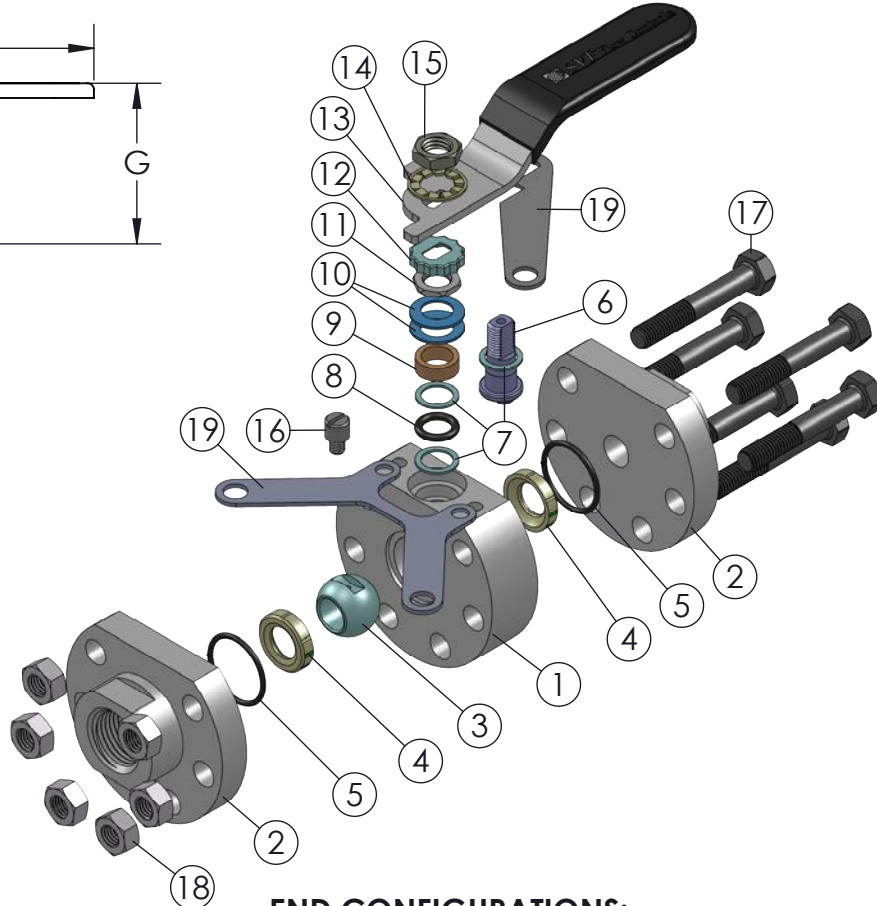
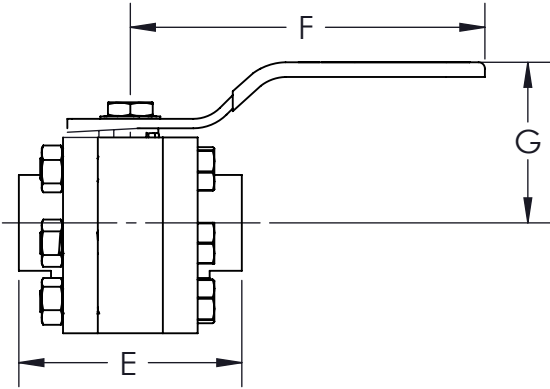


\*AT FULL DIFFERENTIAL PRESSURE FOR CLEAN FLUIDS WITH DELRIN SEATS.

SIZE	A		B		C				D				E			F		G						
	A	øB	C	øD	E	F	G	H1	H2	J1	J2	K	L1	L2	øN1	N2	øN3	NPT THREAD	PER SAE J1926 THREAD	WEIGHT (lbs)	Cv	TORQUE* (in-lbf)	BODY BOLT SIZE	BODY NUT SIZE
1/2"	0.18 (5)	0.74 (19)	0.44 (11)	0.44 (11)	2.79 (71)	5 (127)	1.8 (46)	0.81 (21)	1.78 (45)	0.22 (6)	0.37 (9)	M5-0.8	1.34 (34)	N/A	0.86 (22)	0.44 (11)	1.18 (30)	1/2"-14NPT	3/4"-16-8	3.5	8	60	M8-1.25 X 50	M8-1.25P
3/4"	0.18 (5)	0.91 (23)	0.44 (11)	0.56 (14)	3.42 (87)	5 (127)	1.9 (48)	0.97 (25)	2.03 (52)	0.22 (6)	0.37 (9)	M5-0.8	1.32 (33)	0.59 (15)	1.07 (27)	0.56 (14)	1.61 (41)	3/4"-14NPT	1-1/16"-12-12	5.3	12	200	M8-1.25 X 60	M8-1.25P
1"	0.28 (7)	1.05 (26)	0.67 (17)	0.82 (21)	4.01 (102)	6 (152)	2.4 (61)	1.25 (32)	2.40 (61)	0.30 (8)	0.43 (11)	M5-0.8	1.64 (42)	0.94 (24)	1.33 (34)	0.56 (14)	1.93 (49)	1"-11.5NPT	1-5/16"-12-16	9.9	32	300	M10-1.5 X 80	M10-1.5P

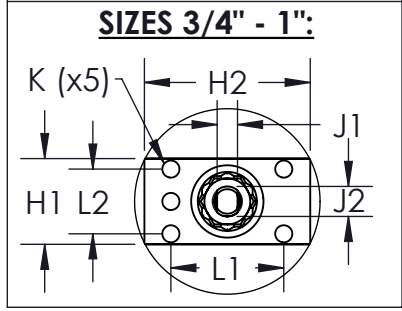
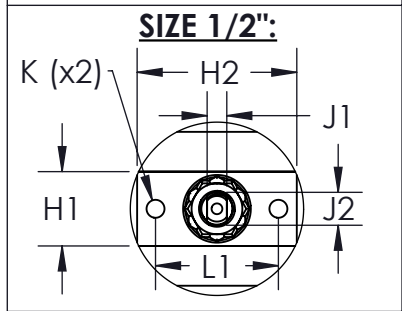
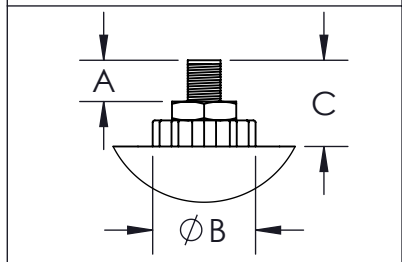


**PRODUCT INFORMATION:**  
 1. END CONNECTIONS AVAILABLE IN: SCREWED ENDS (FNPT), SOCKET WELD ENDS, SCREWED ENDS PER SAE SPECIFICATION (J1926), SCREWED END (FNPT) X SOCKET WELD END, SCREWED END (SAE) X SOCKET WELD END, COMPRESSION MALE FITTINGS AND COMPRESSION NUT AND DOUBLE FERRULE ENDS  
 2. SERVICES INCLUDE: HIGH CYCLE STEM KIT, VENT/RELIEF HOLE (UPSTREAM SIDE) AND HIGH PRESSURE GAS SERVICE  
 3. BALL IS VENTED ON THE STEM SLOT AREA  
 4. ALL STAINLESS STEEL PASSIVATED  
 5. MOUNTING KIT AVAILABLE FOR COMPLETE VALVE AUTOMATION

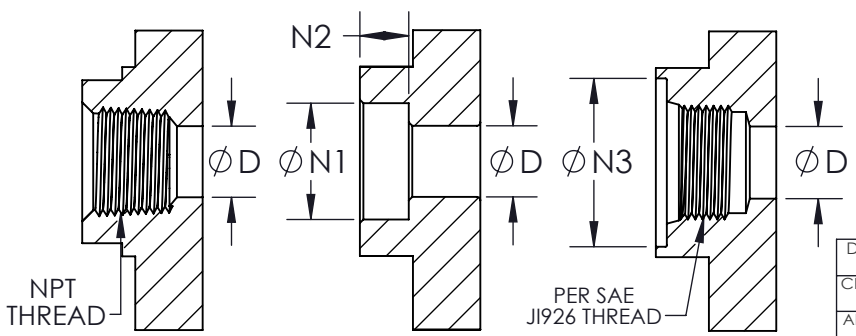
**OPTIONS:**  
 1. LOCKING DEVICE  
 2. ANTI-STATIC DEVICE

**APPLICABLE STANDARDS:**  
 1. ASME B16.34: DESIGN  
 2. ANSI B1.20.1: NPT  
 3. API 598: INSPECTION AND TESTING  
 4. CGA G-4.1: CLEANING FOR OXYGEN SERVICE  
 5. ASME B16.11: FORGED STEEL FITTINGS/SOCKET WELDING

**TOPWORKS**



**END CONFIGURATIONS:**



ITEM NO.	DESCRIPTION	MATERIALS	QTY.
1	BODY	A351-CF8M A479-316L A216-WCB	1
2	END	A351-CF3M A479-316L A216-WCB	2
3	BALL	A564-630	1
4	SEAT	DELRIN PEEK	2
5	BODY SEAL	BUNA N VITON EPDM	2
6	STEM	A564-630	1
7	STEM THRUST WASHER	PEEK	3
8	STEM SEAL	BUNA	1
9	GLAND FOLLOWER	304 STAINLESS STEEL	1
10	BELLEVILLE WASHER	17-7PH STAINLESS STEEL	2
11	JAM NUT	304 STAINLESS STEEL	1
12	LOCK TAB	304 STAINLESS STEEL	1
13	LEVER HANDLE	304 STAINLESS STEEL	1
14	SERRATED LOCK WASHER (1" ONLY)	304 STAINLESS STEEL	1
15	HANDLE NUT	304 STAINLESS STEEL	1
16	STOP PIN	304 STAINLESS STEEL	1
17	BODY BOLT	316 STAINLESS STEEL	6
18	BODY NUT	316 STAINLESS STEEL	6
19	LOCKING DEVICE (OPTIONAL)	304 STAINLESS STEEL	2

DRAWN BY E.P. DATE 04/04/2017  
 CHECKED BY E.G. DATE 09/27/2018  
 APPROVED BY J.S. DATE 09/27/2018  
(FOR REF ONLY IF NOT APPROVED)

PROJECTION THIRD ANGLE:

**SVF FLOW CONTROLS**

DESCRIPTION: 1/2" - 1" H7 3-PIECE HIGH PRESSURE BALL VALVE

UNITS: INCH (MILLIMETERS) DATE: 09/27/2018 REV: D