

Series VB41 Ball Valve

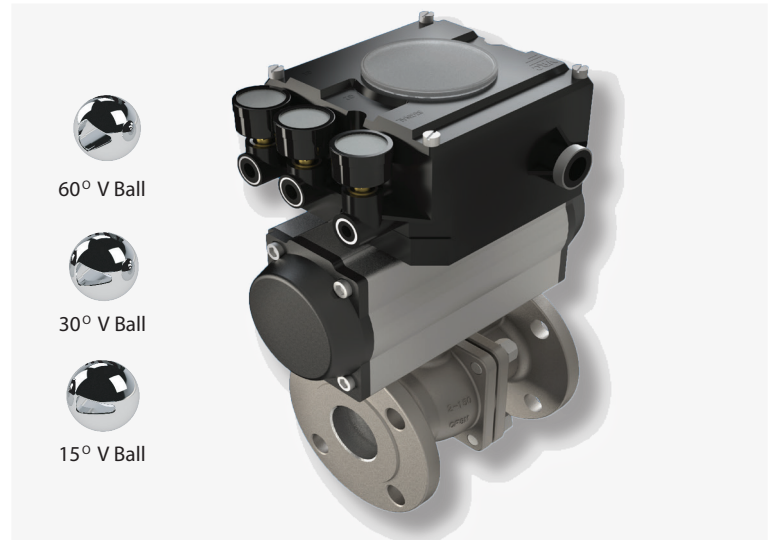
ANSI Class 150 Flanged, Characterized "V" Ball Valve
 Sizes 1" ~ 6"



The SVF Series VB41 Characterized Flanged "V" Ball Control Valves are high performance direct mount ball valves providing high rangeability and precision throttling required for clean or dirty liquids and gases.

SERIES VB41 DESIGN FEATURES

- ✓ Characterized "V" Ball with 15°, 30° and 60° V-Port provides "equal percentage" flow control
- ✓ Fire-Safe certification to API-607 (with GRAFOIL® body seals only)
- ✓ Standard NACE MR 0175
- ✓ Live-loaded stem packing ensures seal-tight pressure containment even under thermal cycling
- ✓ ISO 5211 mounting pad for direct mount automation
- ✓ Standard seat material is SupraLon™
- ✓ Blowout proof stem adds safety & reliability
- ✓ Standard Anti-Static stem
- ✓ Available with a pneumatic or electric actuator and positioner

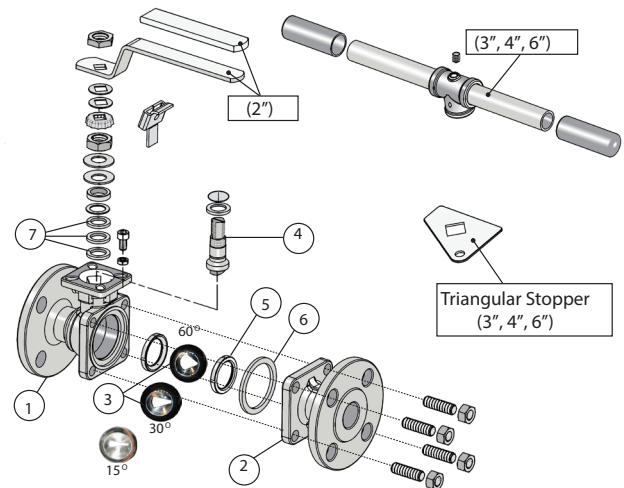


VB41 Automated Package
 (2" Valve shown with SVF *aero* 2 Actuator & SVF Positioner)

Parts shown sold as complete kit, not separately

MATERIALS OF CONSTRUCTION

ITEM	DESCRIPTION	MATERIALS SPECIFICATIONS
1	Body	316 Stainless Steel (ASTM A351 CF8M) Carbon Steel (ASTM A216 WCB)
2	End Connector	316L Stainless Steel (ASTM A351 CF8M) Carbon Steel (ASTM A216 WCB)
3	Ball	316 Stainless Steel (ASTM A351 CF8M)
4	Stem	316 Stainless Steel (ASTM A276-316)
5	Seat	SupraLon™ or TFM1600™
6	Body Seal	GRAFOIL® + 316 Stainless Steel or PTFE
7	Stem Seal	GRAFOIL® or PTFE



SPECIFICATION STANDARDS OF COMPLIANCE

- Design - ASME B16.34, NACE MR 0175
- Face to Face: ASME B16.10
- End Flange: ASME B16.5
- Wall Thickness: ASME B16.34
- Inspection & Testing: API 598,
- Fire Safe: API 607, ISO 10497

What do you need today?™



Series VB41 Ball Valve

ANSI Class 150 Flanged, Characterized "V" Ball Valve
 Sizes 1" ~ 6"



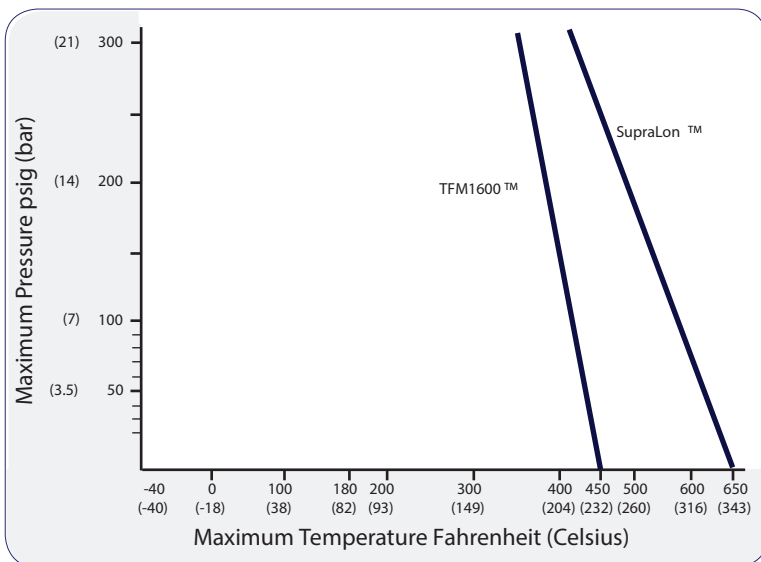
DIMENSIONS, WEIGHT, C v, TORQUE

Size	A		B		D		L		Weight		Torque* TFM1600™		Torque* SupraLon™	
	in.	mm	in.	mm	in.	mm	in.	mm	lbs	kg	in-lbf	Nm	in-lbf	Nm
1"	5.00	127	0.98	25	6.90	175	3.52	89	6	2.7	130	15	172	19
1-1/2"	6.50	165	1.50	38	7.50	190	4.21	107	13	5.9	299	34	368	42
2"	7.00	178	1.97	50	7.50	190	4.41	112	24	10.9	371	42	598	68
3"	8.00	203	2.99	76	11.80	300	6.30	160	38	17.4	988	112	1572	178
4"	9.00	229	3.94	100	15.75	400	8.03	204	69	31.5	1508	171	2400	271
6"	15.50	394	5.91	150	31.50	800	10.85	275	161	73.6	6097	689	7926	895

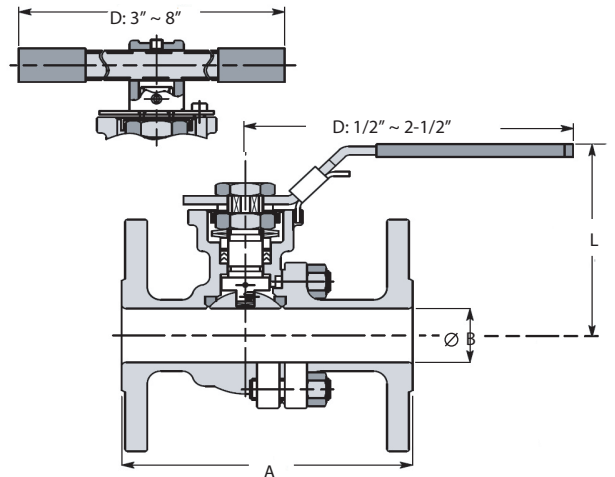
VB41C v VALUES

Size	V Angle	10%	20%	30%	40%	50%	60%	70%	80%	90%	100%
1"	15°	0.01	0.01	0.25	0.53	0.95	1.53	2.21	2.64	3.78	3.98
	30°	0.01	0.01	0.42	1.17	2.04	3.52	5.03	7.88	10.94	14.31
	60°	0.01	0.03	0.55	1.64	2.76	5.10	7.07	13.01	17.47	24.29
1-1/2"	15°	0.01	0.01	0.62	1.23	1.98	3.09	4.38	5.89	7.79	9.28
	30°	0.01	0.03	0.95	2.3	4.09	6.63	9.78	13.73	19.13	23.85
	60°	0.01	0.05	1.24	3.39	6.27	10.18	15.8	23.64	34.77	45.76
2"	15°	0.01	0.47	2.14	3.82	6.25	9.43	12.78	16.96	21.42	21.24
	30°	0.02	1.18	2.59	5.70	9.84	15.25	23.02	32.12	42.09	42.18
	60°	0.05	1.51	2.76	6.90	12.08	19.63	31.35	47.42	70.82	81.13
3"	15°	0.01	2.52	6.51	10.76	17.86	26.26	32.75	41.45	52.00	62.74
	30°	0.02	1.88	6.10	12.01	20.45	31.24	44.97	61.75	84.75	103.82
	60°	0.06	2.24	8.09	17.30	29.89	47.73	73.19	106.87	157.58	190.40
4"	15°	0.02	4.70	7.30	11.40	19.30	25.40	34.60	45.70	59.40	65.80
	30°	0.08	4.24	11.07	21.56	36.32	56.01	81.77	113.91	157.89	176.19
	60°	0.09	5.64	15.02	29.85	51.10	83.04	132.96	212.46	340.90	401.72
6"	15°	0.02	7.60	12.30	22.80	39.90	54.30	65.90	94.10	114.50	136.20
	30°	0.03	4.41	17.35	39.34	70.13	108.15	160.02	226.81	301.33	387.09
	60°	0.10	6.49	26.68	62.56	112.45	183.18	289.67	437.26	654.69	782.39

VB41 - PRESSURE/TEMPERATURE CHART



* At full differential pressure for clean fluids



HIGH PRESSURE DROPS:
 Engineered to withstand high pressure drops while providing leak-free operation, the SVF "V" Ball Series delivers the precise control required in today's process control industries. The ΔP limit is up to 500 psi for liquids and up to 300 psi for steam. Consult SVF for additional information on valve sizing and pressure drop limitations for your particular application.

Class 150

Note: Maximum pressure & temperature is limited to the seat material rating

Series VB41 Ball Valve

ANSI Class 150 Flanged, Characterized "V" Ball Valve
 Sizes 1" ~ 6"



How To Order Guide (Columns 1 thru 11)

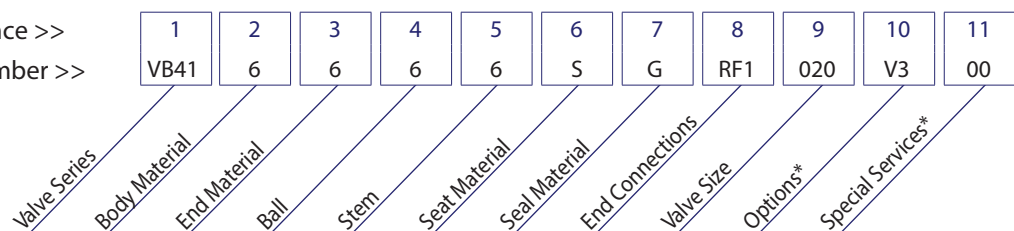
1 SERIES	2 BODY	3 ENDS	4 BALL	5 STEM	6 SEAT MATERIAL
VB41	4 = Carbon Steel ASTM A216 WCB 6 = 316 Stainless Steel ASTM A351 CF8M	4 = Carbon Steel ASTM A216 WCB 6 = 316L Stainless Steel ASTM A351 CF8M	6 = 316 Stainless Steel ASTM A351 CF8M	6 = 316 Stainless Steel ASTM A276 316	S = SupraLon™ A = TFM1600™

7 BODY SEAL	8 END CONNECTIONS	9 VALVE SIZE	10 OPTIONS*	11 SPECIAL SERVICES*
G = Grafoil T = PTFE	RF1 = 150# Flanged Ends (Raised Face)	010 = 1" 015 = 1-1/2" 020 = 2" 030 = 3" 040 = 4" 060 = 6"	V1 = 15 ° V-Port Control Ball V3 = 30 ° V-Port Control Ball V6 = 60 ° V-Port Control Ball D1 = 15 ° V-Port Control Ball & ISO Stem Extension DV = 30 ° V-Port Control Ball & ISO Stem Extension D7 = 60 ° V-Port Control Ball & ISO Stem Extension	00 = None XC = Oxygen Cleaned SF = Degreased (Silicone Free) UH = Vent/Relief Hole ¹

Order Example: (VB416666SGRF1020V300) The Part Number will contain 20 digits.

Ordering Code Sequence >>

Sample Part Number >>



¹ Vent Hole is on the Upstream Side

*Not all Options or Special Services available on all ball valves. Consult SVF for additional information.