

Series StreamLine B5

Streamline B5 Series Butterfly Valve
 Sizes 2" ~ 36"



The SVF StreamLine Series B5 Butterfly valves are designed for superior performance in general purpose, plant-wide applications. The Series B5 is an economical, manually operated valve that meets industry requirements for performance and dependability.

StreamLine

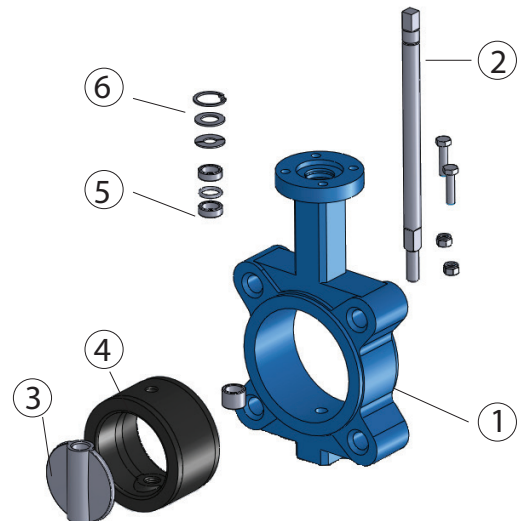
SERIES B5 DESIGN FEATURES

- ✓ Ductile Iron body with epoxy coating
- ✓ 316 Stainless Steel, Ductile Iron or Aluminum Bronze disc
- ✓ EPDM or Buna seats
- ✓ PTFE stem bushing
- ✓ 10 position locking handle or gear operator
- ✓ Sizes 2" to 36"



MATERIALS OF CONSTRUCTION

ITEM	DESCRIPTION	MATERIALS SPECIFICATIONS
1	Body	Ductile Iron (ASTM A536) for DI Disc Cast Iron (ASTM A-126 Class B)
2	Stem	SS420
3	Disc	316 Stainless Steel (ASTM A351-CF8M) Ductile Iron (ASTM A536) Aluminum Bronze
4	Seat	EPDM or Buna
5	Bushing	Graphite
6	O-ring	EPDM or Buna



What do you need today?™



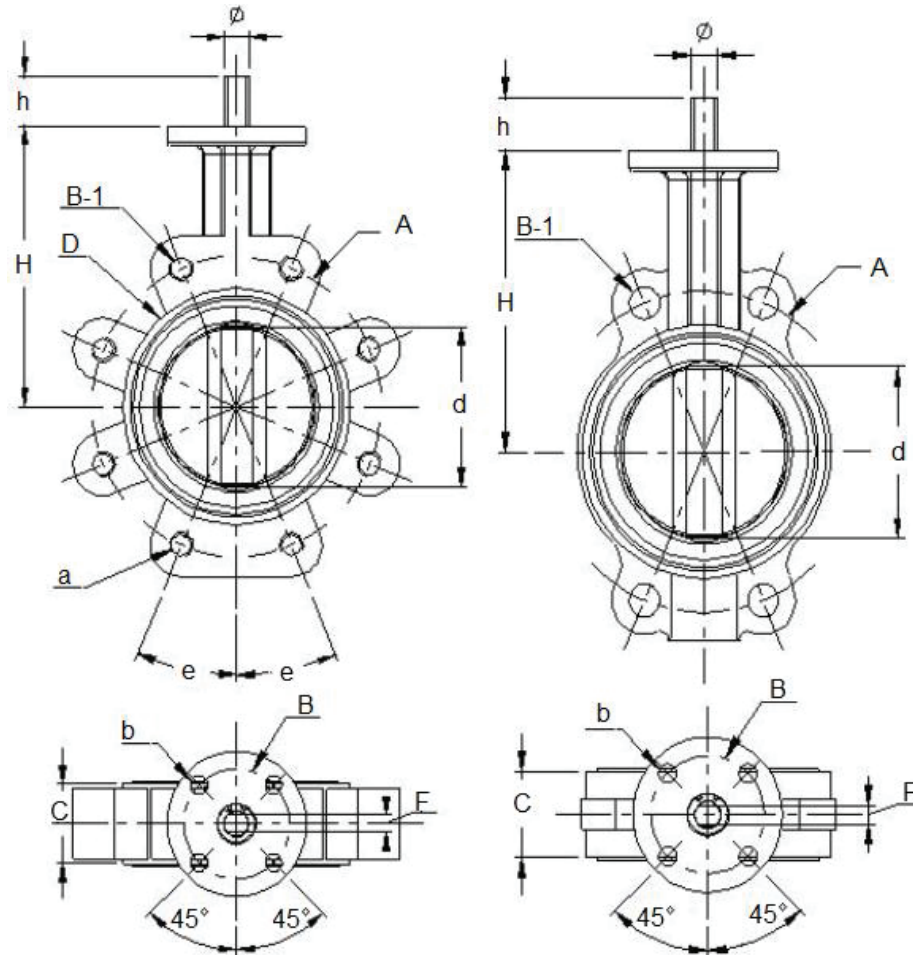
Series StreamLine B5

Streamline B5 Series Butterfly Valve

Sizes 2" ~ 36"



STREAMLINE B5 SERIES DIMENSIONS



Size	H	d	D	A	a	B-1	B	b	C	e	h	Stem Ø	F (flat)	Weight (lbs)	Torque in-lbf
2"	5.51	2.05	3.54	4.75	4-5/8"	0.75	2.25	0.30	1.61	45°	1.37	0.56	0.375	9	120
2-1/2"	6.02	2.48	4.02	5.50	4-5/8"	0.75	2.25	0.30	1.75	45°	1.37	0.56	0.375	11	160
3"	6.23	3.07	4.69	6.00	4-5/8"	0.75	2.25	0.30	1.75	45°	1.37	0.56	0.375	12	190
4"	7.00	4.09	5.90	7.50	8-5/8"	0.75	2.78	0.44	2.00	22.5°	1.37	0.63	0.44	16	280
5"	7.50	4.85	7.13	8.50	8-3/4"	0.87	2.78	0.44	21.12	22.5°	1.37	0.75	0.5	18	400
6"	8.01	5.95	8.19	9.50	8-3/4"	0.87	2.78	0.44	2.12	22.5°	1.37	0.75	0.5	22	600
8"	9.50	7.92	10.24	11.75	8-3/4"	0.87	3.54	0.56	2.50	22.5°	1.37	0.88	0.625	37	1,100
10"	10.75	9.79	12.64	14.25	12-7/8"	1.00	3.54	0.56	2.50	15°	1.53	1.13	0.85	55	2,000
12"	12.24	11.44	14.57	17.00	12-7/8"	1.00	4.25	0.56	2.99	15°	1.53	1.13	0.85	70	2,515
14"	12.00	13.05	17.01	18.75	12-1"	1.06	5.00	0.56	2.99	15°	2.41	1.37	n/a	124	4,800
16"	12.99	13.33	19.63	21.25	16-1"	1.06	5.00	0.56	4.00	11.25°	2.41	1.62	n/a	150	8,800
18"	14.50	17.19	21.42	22.75	16-11/8"	1.19	6.50	0.81	4.24	11.25°	3.15	1.87	n/a	250	12,390
20"	15.87	19.15	23.82	25.00	20-1 1/8"	1.19	6.50	0.81	4.98	9°	3.15	2.12	n/a	320	15,930
24"	22.24	23.28	28.50	29.29	20-1 1/4"	1.38	6.50	0.81	6.00	9°	3.15	2.12	n/a	475	22,125
30"	23.23	29.33	33.31	36.00	28-1 1/4"	1.38	10.00	0.71	6.54	6.43°	4.00	2.50	n/a	1100	44,250
36"	28.35	35.04	39.92	42.76	32-1 1/2"	1.63	11.73	0.91	7.95	5.63°	4.61	3.15	n/a	1800	57,525

Series StreamLine B5

Streamline B5 Series Butterfly Valve
 Sizes 2" ~ 36"



STREAMLINE BUTTERFLY VALVE LUG DIMENSIONS

Rated Flow Coefficient (Cv) B5 Valve									
Valve Size	Angle of Disc Opening								
	10°	20°	30°	40°	50°	60°	70°	80°	90°
2"	1.67	7.70	17	29	48	74	115	145	195
2-1/2"	2.50	11.00	25	44	69	109	174	237	307
3"	3.33	15.70	37	64	105	165	276	377	487
4"	5.00	27.70	63	110	177	278	472	671	827
5"	8.33	43.70	99	177	276	443	752	1083	1325
6"	13.33	58.70	136	242	385	616	1075	1521	1883
8"	20.00	107.30	247	434	687	1094	1821	2671	3239
10"	31.67	174.00	394	696	1092	1770	2983	4288	5210
12"	47.00	251.70	578	1002	1665	2654	4398	6466	8026
14"	61.30	326.00	765	1373	2183	3395	5713	8337	10179
16"	81.70	426.00	1000	1783	2816	4494	7556	10981	13322
18"	106.00	549.00	1294	2279	3614	5779	9755	14148	17738
20"	125.00	684.00	1598	2862	4579	7181	12178	17906	22113
24"	233.00	1009.00	2329	4081	6587	10347	17078	25218	31051
30"	364.70	1537.00	3757	6571	10568	16861	27767	39752	50783
36"	575.00	2498.00	5495	9437	15261	24002	39806	56834	74958

* Cv is defined as the volume of water in US gallons per minute that will flow through a given restriction, or valve opening, with a drop of one psi at 60° F

HOW TO ORDER B5 SERIES BUTTERFLY VALVES				
1	2	3	4	5
Series	Type	Size	Disc and Seat	Options
B5	RLO = Wafer Lever Operated (2" - 12" Only) RWG = Wafer Gear operated (14" - 36") LGL = Lug Lever Operated (2" - 12" Only) LGG = Lug Gear Operated (14" - 36")	2 = 2" 2.5 = 2-1/2" 3 = 3" 4 = 4" 5 = 5" 6 = 6" 8 = 8" 10 = 10" 12 = 12" 14 = 14" 16 = 16" 18 = 18" 20 = 20" 24 = 24" 30 = 30" 36 = 36"	Blank = DI disc with Buna Seat AB = Aluminum Bronze Disc with Buna Seat ABE = Aluminum Bronze Disc with EPDM Seat S = 316 SS Disc with Buna Seat SE = 316 SS Disc with EPDM seat	Blank = No options X24 = 24" Extension X36 = 36" Extension X48 = 48" Extension X60 = 60" Extension X72 = 72" Extension
	Sample PN: B5RLO2			

- Ductile Iron Body for Ductile Iron Disc up to 12"
- AB Disc - Only up to 12"
- EPDM seats - Only up to 12"
- Ductile Iron Disc for Lug - Only up to 12"