

# Series SB9 Ball Valve

Three-Piece CleanTECH™ Sanitary Ball Valve  
 Sizes 1/2" ~ 4"



The SVF Series SB9 Sanitary Ball Valve is the newest member to our CleanTECH™ family of high purity products. The SB9 is an ideal, competitively priced solution for manual and automated ball valve requirements in semiconductor, food & beverage, dairy, flavorings, cosmetic and fragrance applications.

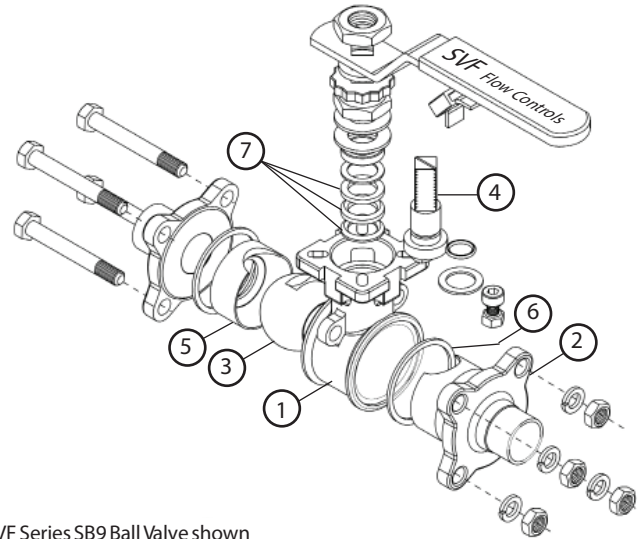
## SERIES SB9 DESIGN FEATURES

- ✓ Three piece investment cast stainless steel
- ✓ "Tube-ID" flow path for drainability
- ✓ Standard interior finish is 20Ra or better
- ✓ Three-piece "swing out" design offers easy access for in-line maintenance
- ✓ Built-In ISO 5211 mounting pad for easy direct mount actuation
- ✓ Interior finish of 20Ra or better
- ✓ Silicone Free
- ✓ Blow-out proof stem adds safety and reliability
- ✓ All materials comply with ASTM material specifications, FDA, USDA and 3A
- ✓ Live-loaded stem packing ensures seal-tight pressure containment even under thermal cycling
- ✓ End connections include Extended Tube O.D. (ETO ends with Boss for Purge Ports)



## MATERIALS OF CONSTRUCTION

ITEM	DESCRIPTION	MATERIALS SPECIFICATIONS
1	Body	316 Stainless Steel (ASTM A351 CF8M)
2	End Connector	316L Stainless Steel (ASTM A351 CF3M)
3	Ball	316 Stainless Steel (ASTM A351 CF8M)
4	Stem	316 Stainless Steel (SUS316)
5	Seat	TFM1600™
6	Body Seal	TFM1600™
7	Stem Seal	TFM1600™



SVF Series SB9 Ball Valve shown with cavity filled seats

The Series SB9 Ball Valve is available with additional options.

There are no elastomers used for any of the components on the SB9 valves.

Only PTFE and TFM are used for seats and seals.

*What do you need today?™*



# Series SB9 Ball Valve

Three-Piece *CleanTECH*™ Sanitary Ball Valve  
 Sizes 1/2" ~ 4"

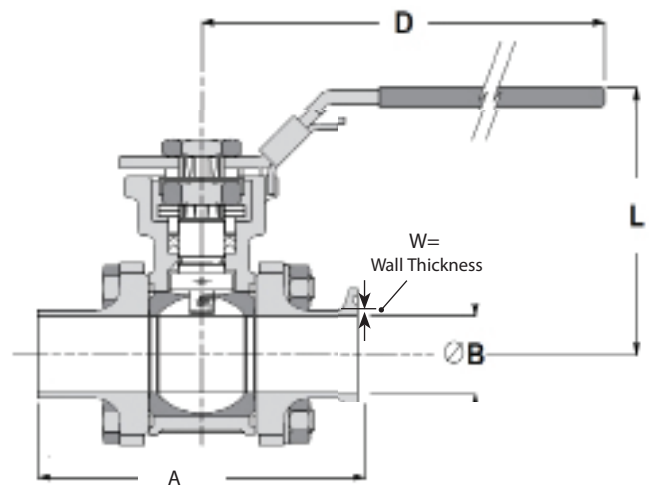
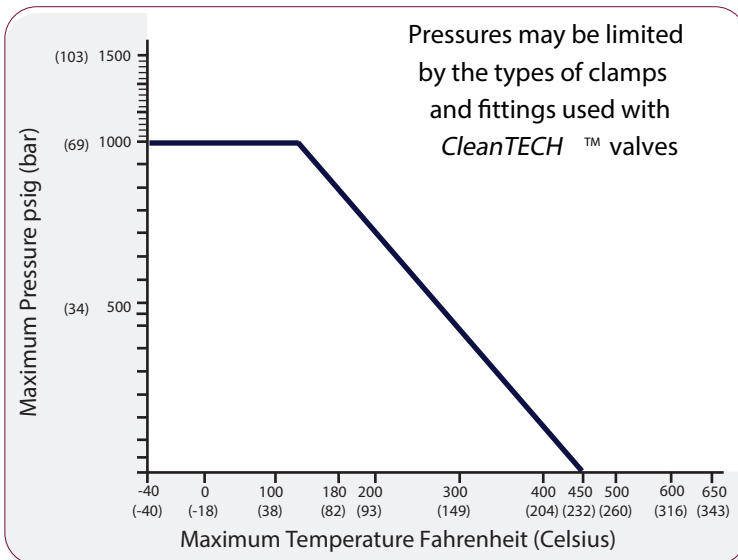


## DIMENSIONS, WEIGHT, C<sub>v</sub>, TORQUE

Size	A		B		D		L		W		Weight		C <sub>v</sub>	Torque*	
	in.	mm	in.	mm	in.	mm	in.	mm	in.	mm	lbs	kg		in-lbf	Nm
1/2"	5.31	135	0.37	10	5.71	145	2.72	69	0.065	1.7	1	0.7	13	44	5
3/4"	5.59	142	0.62	16	5.71	145	2.99	76	0.065	1.7	2	0.9	18	53	6
1"	6.02	153	0.87	22	6.89	175	3.54	90	0.065	1.7	3	1.5	48	93	11
1-1/2"	7.05	179	1.37	35	7.68	195	4.06	103	0.065	1.7	5	2.2	120	195	22
2"	7.76	197	1.87	48	7.68	195	4.29	109	0.065	1.7	7	3.3	190	283	32
2-1/2"	8.90	226	2.37	60	10.43	265	5.79	147	0.065	1.7	18	8.4	450	434	49
3"	9.49	241	2.87	73	10.43	265	6.06	154	0.065	4.7	20	9.2	600	717	81
4"	10.94	278	3.84	98	15.75	400	8.07	205	0.083	2.1	30	13.5	1100	1080	122

## SB9 - PRESSURE/TEMPERATURE CHART

\* At full differential pressure for clean fluids



Class 300

# Series SB9 Ball Valve

Three-Piece *CleanTECH™* Sanitary Ball Valve  
 Sizes 1/2" ~ 4"



How To Order Guide (Columns 1 thru 11)

1 SERIES	2 BODY	3 ENDS	4 BALL	5 STEM	6 SEAT MATERIAL
SB90	6 = 316 Stainless Steel ASTM A351 CF8M	6 = 316L Stainless Steel ASTM A351 CF3M	6 = 316 Stainless Steel ASTM A351 CF8M	6 = 316 Stainless Steel SUS316	A = TFM1600™ Q = TFM1600™ Cavity Filled

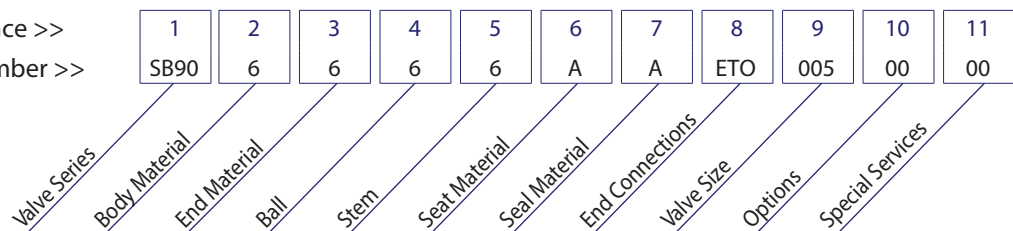
  

7 BODY SEAL	8 END CONNECTIONS	9 VALVE SIZE	10 OPTIONS*	11 SPECIAL SERVICES*
A = TFM1600™	ETO = Extended Tube-OD Ends	005 = 1/2" 007 = 3/4" 010 = 1" 015 = 1-1/2" 020 = 2" 025 = 2-1/2" 030 = 3" 040 = 4"	00 = None 1B = 1/4" Downstream Purge Port Compression End (for 1/2" ~ 1-1/2")** 1D = 2 x 1/4" Purge Port Compression End End (for 1/2" ~ 1-1/2")** 1G = 1/4" Downstream Purge Port Male VCR End (for 1/2" ~ 1-1/2")** 1J = 2 x 1/4" Purge Port Male VCR End (for 1/2" ~ 1-1/2")**	00 = None XC = Oxygen Cleaned EP = Electropolished

Order Example: (SB906666AAETO0050000) The Part Number will contain 20 digits.

Ordering Code Sequence >>

Sample Part Number >>



\*Not all Options or Special Services available on all ball valves. Consult SVF for additional information.

\*\*Consult SVF for purge port options on 2" through 4"