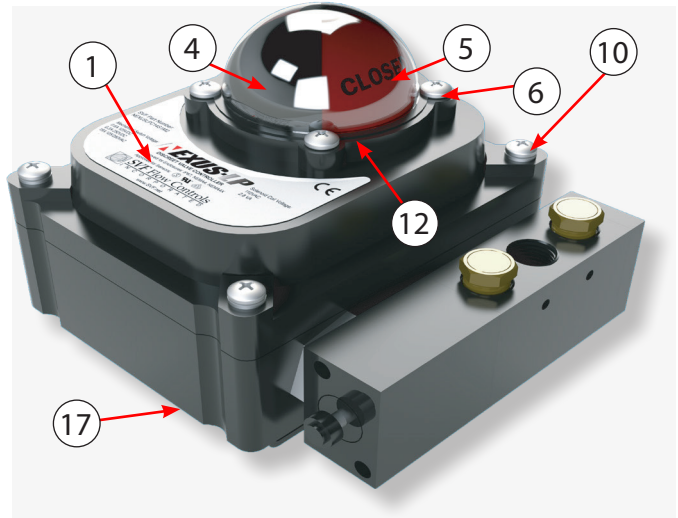


NEXUS- ID or IX™ represents the latest *As-Interface* (As-I) technology for Two-Wire control and communication for today's sophisticated control system design. The "ID" and "IX" circuits (AS2-42) are embedded and encapsulated in a flexible moisture-proof epoxy compound, protecting it from contaminants and shock to 38g.

## NEXUSLP DESIGN FEATURES

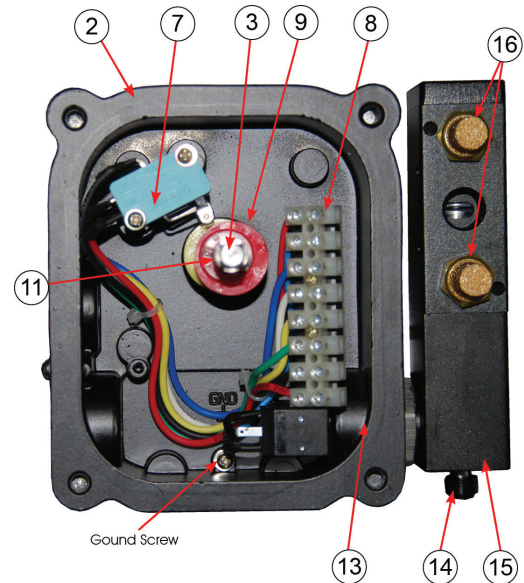
- ✓ As-I slave device with two internal sensors with termination points for connecting additional sensors as well as two outputs to operate a pilot valve
- ✓ As-I and CE approved
- ✓ Suitable for use on rotary applications for double acting or spring return actuators
- ✓ NAMUR and ISO 5211 adjustable mounting bracket
- ✓ 5/2 Aluminum spool valve, anodized and polyester coated
- ✓ Operating Temperature: -25°C ~ +85 °C (-13 °F ~ +185 °F)
- ✓ NEMA 4, 4X and 7 enclosure options



## MATERIALS OF CONSTRUCTION

ITEM	DESCRIPTION	MATERIALS SPECIFICATIONS
1	Box Cover	Die Cast Aluminum*
2	Box Housing	Die Cast Aluminum*
3	Shaft	Stainless Steel
4	Indicator Cover	Polycarbonate
5	Indicator	ABS
6	Indicator Fasteners	Stainless Steel
7	Switches	Mechanical Switches
8	Terminal Strip	Polycarbonate
9	Cams	Polycarbonate
10	Cover Fasteners	Stainless Steel
11	Shaft O-Ring	Buna "N"
12	Indicator O-Ring	Buna "N"
13	Pilot Base	Die Cast Aluminum
14	Manual Operator	Die Cast Aluminum
15	Spool Valve	Die Cast Aluminum
16	Breathers	Copper Alloy
17	Mounting Bracket	Carbon Steel

\*With Polyester Coating



WORKING PRESSURE: 40 psi ~ 120 psi (2.8 bar ~ 8 bar)  
 WORKING MEDIUM: Filtered and dried air  
 TEMPERATURE RATING: -4 °F ~ +185 °F (-20 °C ~ +85 °C)

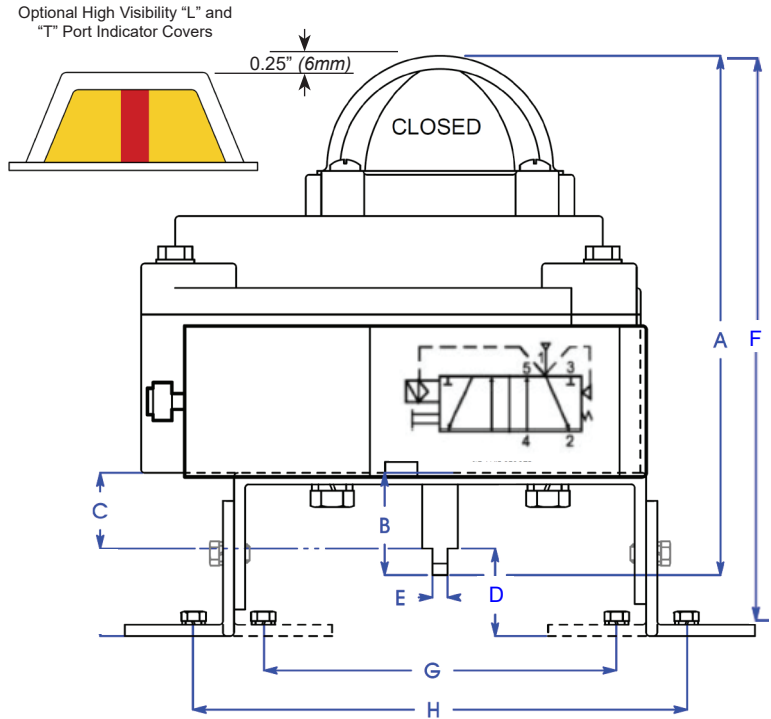
**NEXUSID™ DIMENSIONS AND WEIGHT**

Item	Dimension	
	in.	mm
A	5.43	138
B	1.06	27
C	0.79	20
D <sup>1</sup>	1.18	30
E	0.16	4
F <sup>2</sup>	6.34	161
G	3.15	80
H	5.12	130
J	5.20	132
K	5.65	144
L	4.33	110
M	0.43	11
N	4.53	115
P	1.50	38
R	1.18	30
S	1.06	27
T	1.57	40

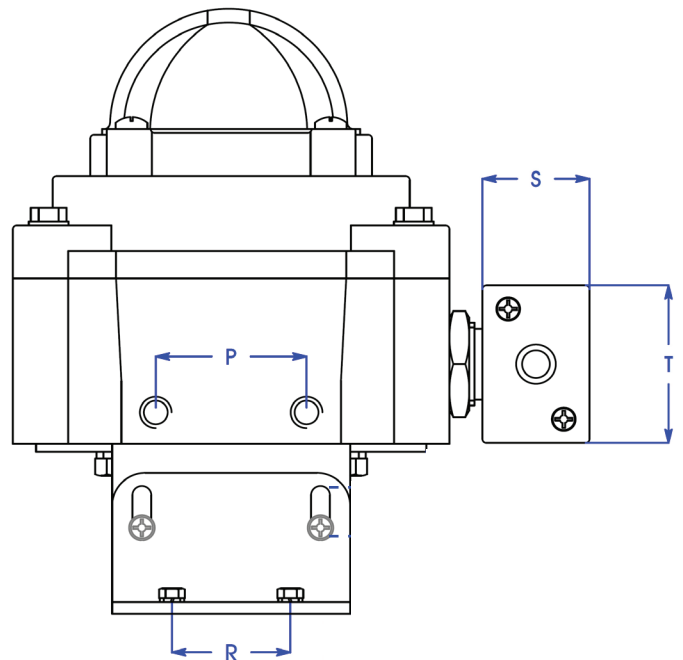
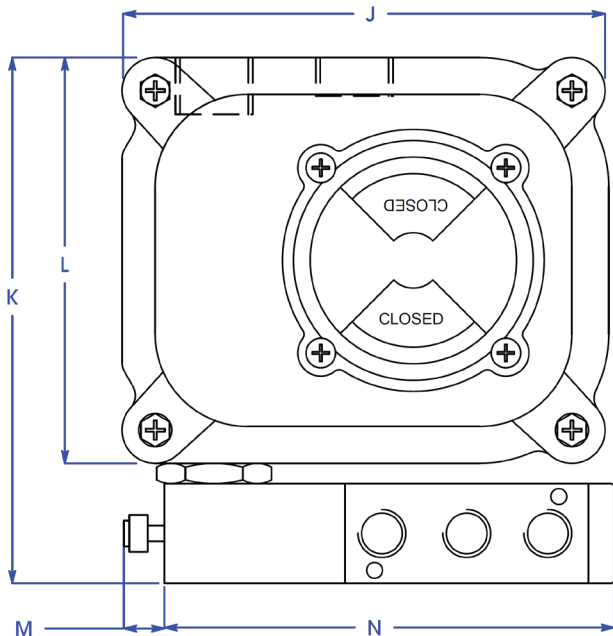
Weight:  
2.5lbs. (1.13 kg)



NEXUS-ID™ shown  
As-I Valve Controller  
shown with *aero2*  
actuator &  
SVF B41C ANSI Class  
150# Flanged  
Ball Valve.



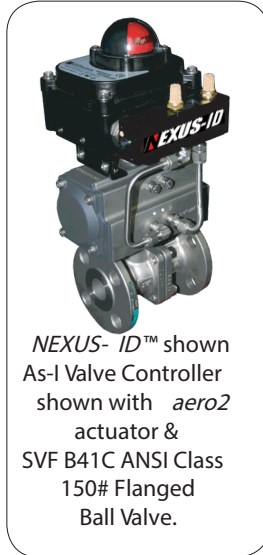
Note 1 = "D" Can be adjusted to 0.79in (20mm)  
Note 2 = "F" Reduces to 5.93in (151mm) when "D" is adjusted to 0.79in (20mm)



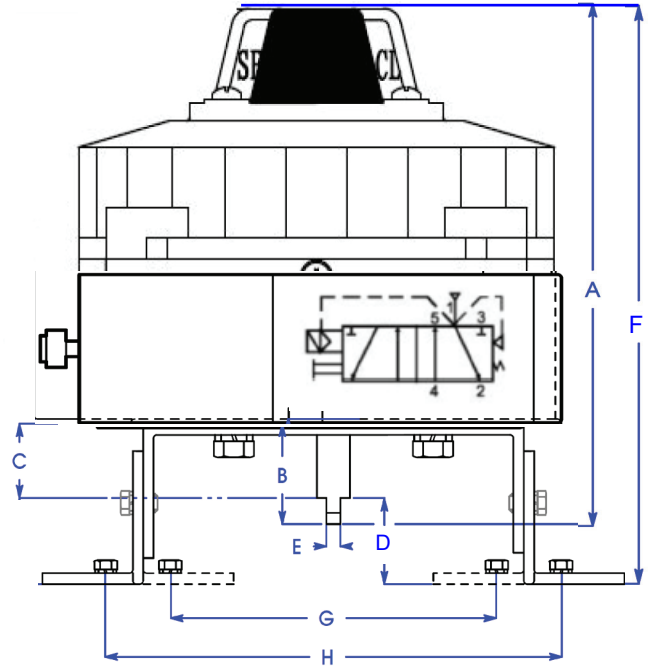
**NEXUSIX**™ DIMENSIONS AND WEIGHT

Item	Dimension	
	in.	mm
A	5.53	140
B	1.06	27
C	0.79	20
D <sup>1</sup>	0.79	20
E	0.16	4
F <sup>2</sup>	6.34	161
G	3.15	80
H	5.12	130
J	5.26	134
K	6.91	176
L	5.59	142
M	0.43	11
N	4.53	115
P	-	-
R	1.18	30
S	1.06	27
T	1.57	40

Weight:  
3.2lbs. (1.45 kg)

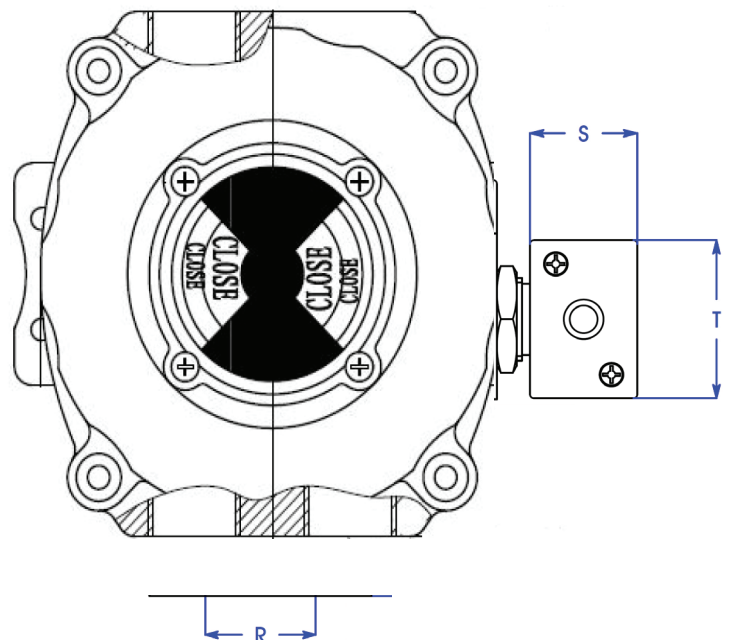
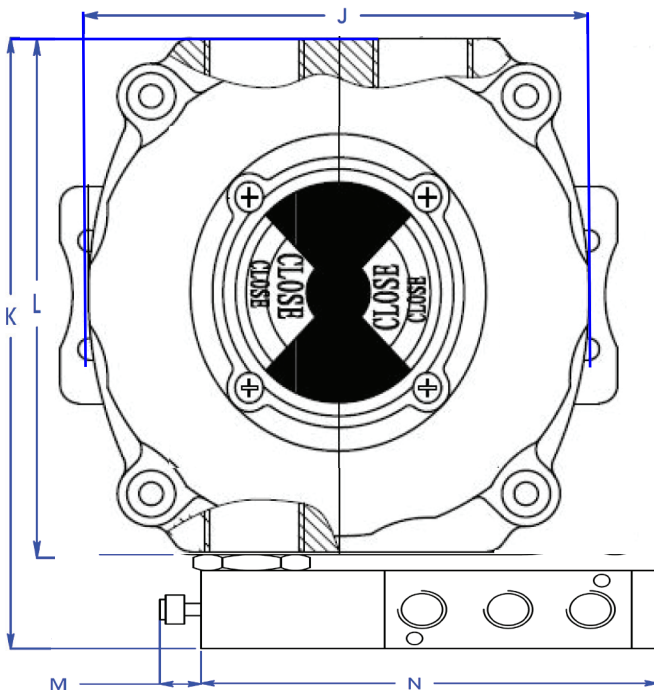


NEXUS- ID™ shown  
As-I Valve Controller  
shown with *aero2*  
actuator &  
SVF B41C ANSI Class  
150# Flanged  
Ball Valve.

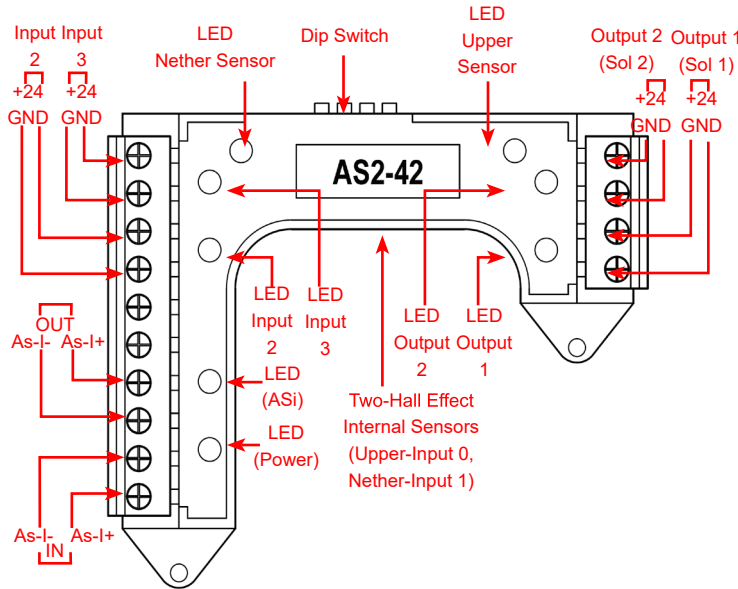


Note 1 = "D" Can be adjusted to 0.79in (20mm)

Note 2 = "F" Reduces to 5.93in (151mm) when "D" is adjusted to 0.79in (20mm)






## WIRING DIAGRAM



## SPECIFICATIONS

Circuit Model	A2S-42EA	
As-Interface	S-7.A*.E	
Profile	I/O Code =7, ID Code =A, ID2 Code =E	
Address	1A-31A, 1B-31B (62)	
Initial Address	0A	
Inputs (4/In)	0	Internal Hall Sensor (Upper - Input 0)
	1	Internal Hall Sensor (Nether - Input 1)
	2	1mA, 24VDC for SPST gold contact mechanical, Output - low power reed or inductive sensors
	3	
Outputs (2/Out)	1	24VDC, <1.5W
	2	24VDC, <1.5W
Current Consumption	Without inputs and outputs activated: 18.30mA	
Operating Voltage	29.5-31.6 VDC As-Interface	
Indication	Power LEDs: 2 (Input), 2 (Output), 2 (ASi), and 2 (Hall Sensor)	
Operating Temperature	-25°C ~ +85 °C (-13 °F ~ +185 °F)	

## HOW TO ORDER GUIDE

SERIES	PILOT COIL VOLTAGE	SWITCHES/SENSORS	POSITION INDICATOR
NEXUSIDC1= TWO POSITION DISCRETE VALVE CONTROLLER (As-I, CE Approved)  NEMA 4, 4X. IP67	2 = C2 Coil 24VDC  3 = C3 Coil 24VDC (0.7W max consumption)	S1AS2 = As-I Controller	Leave Blank for Standard 90 degree Position Indicator Yellow Open, Red Closed  
NEXUSIXC1= TWO POSITION DISCRETE VALVE CONTROLLER (As-I, CE Approved)  NEMA 7			L = High Visibility Three Way "L" Yellow Base, Red Flow Bar  
Order Example: (NEXUSIDC12S1AS2)  NEXUS-ID two-position valve controller, 24VDC (Standard), (Standard), 90 Degree Open/Closed Position Indicator.		As-I Controller	T = High Visibility Three Way "T" Yellow Base, Red Flow Bar  
<i>NEXUSIDC1</i>	<i>2</i>	<i>S1AS2</i>	<i>(BLANK)</i>