

# Series MB51 Ball Valve

ANSI Class 150 Flanged, Multi-Ported Ball Valve  
 Sizes 1" ~ 8"



The SVF Series MB51 Multi-Ported, Flanged Ball Valves are designed for positive shut-off on any of the three ports for superior performance in plant-wide applications. The direct mount feature reduces the size and weight of automated valves.

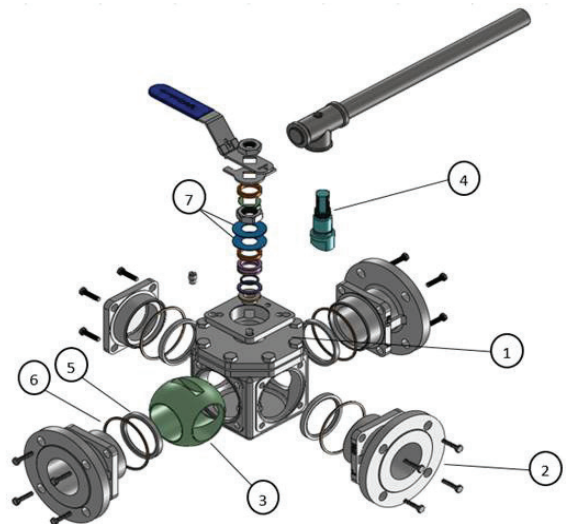
## SERIES MB51 DESIGN FEATURES

- ✓ Three-way, Full-Ported ball valve designed and built for superior performance
- ✓ L-port and T-port options
- ✓ Positive shut-off on any of the three ports
- ✓ Live-loaded stem packing ensures seal-tight pressure containment even under thermal cycling
- ✓ ISO 5211 mounting pad for direct mount automation
- ✓ Standard seat material is RTFE
- ✓ Blowout proof stem adds safety & reliability
- ✓ Standard Anti-Static stem
- ✓ Latch lock handle fully compatible with OSHA



## MATERIALS OF CONSTRUCTION

ITEM	DESCRIPTION	MATERIALS SPECIFICATIONS
1	Body	316 Stainless Steel (ASTM A351 CF8M) Carbon Steel (ASTM A216 WCB)
2	End Connector	316L Stainless Steel (ASTM A351 CF8M) Carbon Steel (ASTM A216 WCB)
3	Ball	316 Stainless Steel (ASTM A182)
4	Stem	316 Stainless Steel (ASTM A276)
5	Seat	RTFE
6	Body Seal	PTFE
7	Stem Seal	PTFE



## SPECIFICATION STANDARDS OF COMPLIANCE

SVF Series MB51 Ball Valves are available in designs that meet the following Industry Standards:

- ANSI
- DIN
- ASTM
- ASME
- ISO
- NACE
- API
- MSS

Contact SVF for specific applications

*What do you need today?*™



# Series MB51 Ball Valve

ANSI Class 150 Flanged, Multi-Ported Ball Valve  
 Sizes 1" ~ 8"



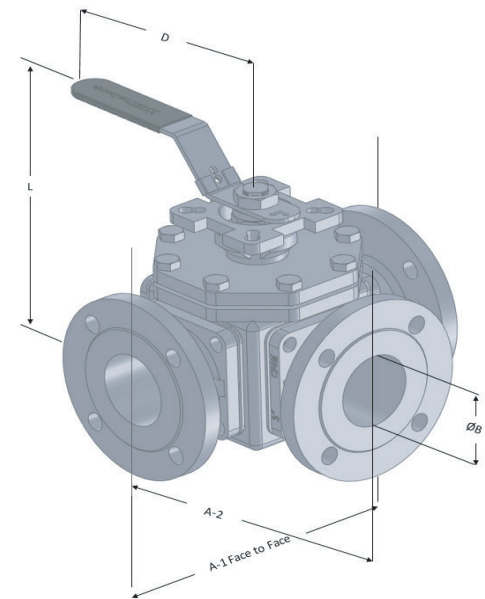
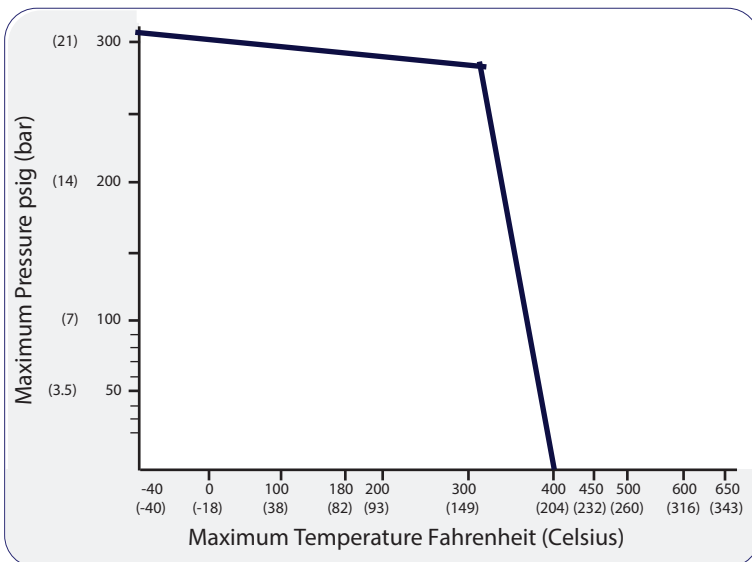
## DIMENSIONS, WEIGHT, C<sub>v</sub>, TORQUE

Size	A1		A2		B		D		L		Weight		C <sub>v</sub>	Torque* RTFE	
	in.	mm	in.	mm	in.	mm	in.	mm	in.	mm	lbs	kg		in-lbf	Nm
1"	7.48	190	3.74	95	0.98	25	6.30	160	3.39	86	12	5.4	91	186	21
1-1/2"	8.66	220	4.33	110	1.50	38	7.28	185	4.33	110	24	10.8	254	416	47
2"	10.00	254	5.00	127	1.89	48	9.84	250	5.24	133	39	17.7	442	637	72
2-1/2"	11.50	292	5.75	146	2.44	62	19.69	500	7.87	200	69	31.3	700	832	94
3"	12.01	305	6.00	152	2.99	76	19.69	500	8.50	216	90	40.8	1084	1104	125
4"	14.53	369	7.26	184	3.86	98	25.59	650	9.06	230	143	64.8	2082	1898	214
6"	16.81	427	8.42	214	5.91	150	39.37	1000	11.22	285	350	158.76	4875	10632	1200
8"	22.83	580	11.42	290	7.87	200	-	-	-	-	450	204.1	8750	18000	2031

8" valve is shipped with a gear operator

\*At full differential with clean fluids

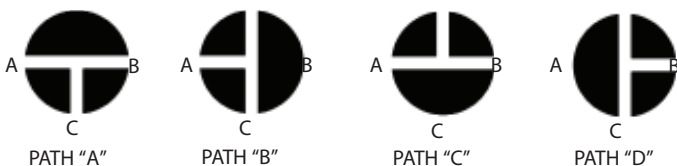
## MB51 - PRESSURE/TEMPERATURE CHART



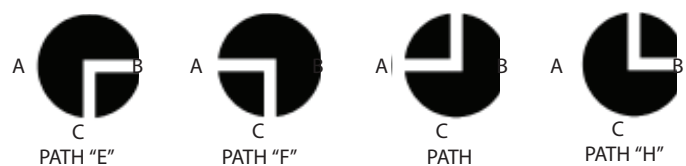
Class 150

Note: Maximum pressure & temperature is limited to the seat material rating

### T-PORT FLOW PATHS:



### L-PORT FLOW PATHS:



# Series MB51 Ball Valve

ANSI Class 150 Flanged, Multi-Ported Ball Valve  
 Sizes 1" ~ 8"



How To Order Guide (Columns 1 thru 11)

1	2	3	4	5	6
SERIES	BODY	ENDS	BALL	STEM	SEAT MATERIAL
MB51	4 = Carbon Steel ASTM A216 WCB  6 = 316 Stainless Steel ASTM A351 CF8M	4 = Carbon Steel ASTM A216 WCB  6 = 316L Stainless Steel ASTM A351 CF8M	6 = 316 Stainless Steel ASTM A351 CF8M	6 = 316 Stainless Steel ASTM A276 316	R = RTFE

7	8	9	10	11
BODY SEAL	END CONNECTIONS	VALVE SIZE	OPTIONS	SPECIAL SERVICES
T = PTFE	RF1 = 150# Flanged Ends (Raised Face)	010 = 1"  015 = 1-1/2"  020 = 2"  025 = 2-1/2"  030 = 3"  040 = 4"  060 = 6"  080 = 8"	T1 = T-Port Ball L1 = L-Port Ball	00 = None

Order Example: (MB516666RTRF1015T100) The Part Number will contain 20 digits.

Ordering Code Sequence >>  
 Sample Part Number >>

