

EZ-TORK Pneumatic Actuator

High Performance Compact Pneumatic Actuator



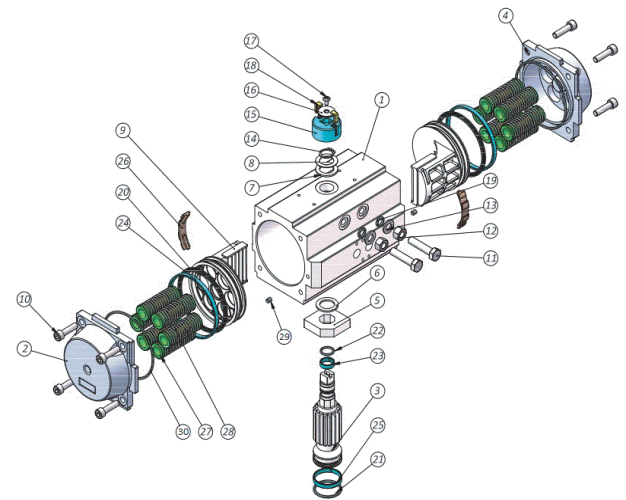
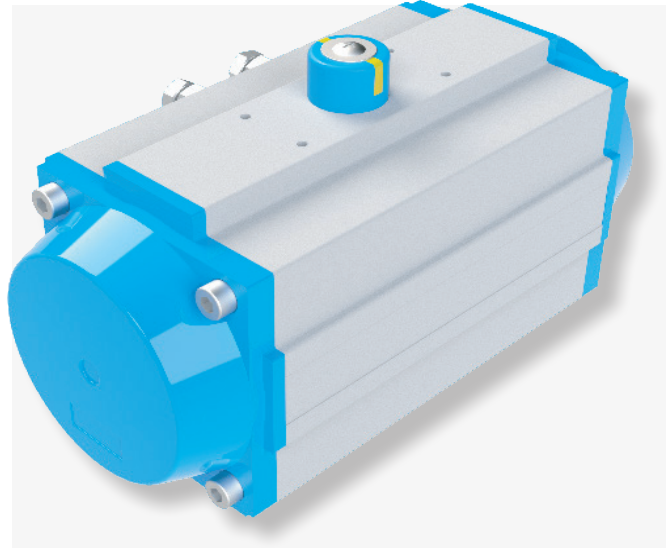
The pneumatic rack & pinion actuator is manufactured using the latest materials and methods to provide dependable and smooth operation in demanding process control conditions.

EZ-TORK DESIGN FEATURES

- ✓ Hard Anodized aluminum housing
- ✓ “Versa-View” Continuous mechanical position indicator
- ✓ Nickel Plated Alloy drive shaft
- ✓ ISO/NAMUR design for universal mounting and accessory attachment
- ✓ Bi-Directional Stroke Adjustment
- ✓ 1/8", 1/4" and 1/2" NPT air inlet manifold

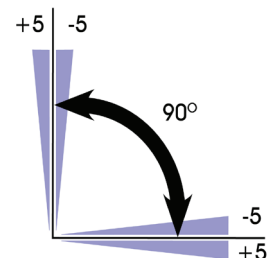
MATERIALS OF CONSTRUCTION

| ITEM | DESCRIPTION | MATERIALS SPECIFICATIONS |
|------|-----------------------------|------------------------------|
| 1 | Body | Aluminum Alloy Hard Anodized |
| 2 | Left End Cap | Aluminum Alloy |
| 3 | Drive Shaft | Alloy Steel & Nickel Plated |
| 4 | Right End Cap | Aluminum Alloy |
| 5 | Stroke Adjustment Stop | Alloy Steel |
| 6 | Thrust Bearing (Pinion Top) | POM + PTFE |
| 7 | Thrust Bearing | POM + PTFE |
| 8 | Thrust Washer | Stainless Steel |
| 9 | Piston | Aluminum Alloy |
| 10 | Cap Screw (End Cap) | Stainless Steel |
| 11 | Stop Top Screw | Stainless Steel |
| 12 | Nut (Stop Screw) | Stainless Steel |
| 13 | Washer (Stop Screw) | Stainless Steel |
| 14 | Spring Clip | Spring Steel |
| 15 | Indicator Cap | POM + PTFE |
| 16 | Indicator Thrust Bearing | Stainless Steel |
| 17 | Cap Screw (End Cap) | Stainless Steel |
| 18 | Piston Indicator | Nylon |
| 19 | O-Ring (Stop Screw) | NBR |
| 20 | O-Ring (Piston) | NBR |
| 21 | O-Ring (Pinion Bottom) | NBR |
| 22 | O-Ring (Pinion Top) | NBR |
| 23 | Bearing (Pinion Top) | POM+PTFE |
| 24 | Bearing (Piston Head) | POM+PTFE |
| 25 | Bearing (Pinion Bottom) | POM+PTFE |
| 26 | Wear Band | POM+PTFE |
| 27 | Spring Seat | POM+PTFE |
| 28 | Spring | High Carbon Steel |
| 29 | Plug | NBR |



BI-DIRECTIONAL STROKE ADJUSTMENT

EZ-Tork actuators feature bi-directional pinion travel stops. These stops allow for true $\pm 5^\circ$ for valve travel adjustment to ensure precise positioning in all flow control services. The EZ-Tork travel stops are designed to absorb the maximum rated torque of the actuator and the maximum impact loads associated with the recommended stroke speed.



What do you need today?™



EZ-TORK Pneumatic Actuator

High Performance Compact Pneumatic Actuator



EZ-TORK WEIGHT

| Model | Double Acting | | Spring Return | |
|-------|---------------|-------|---------------|-------|
| | lbs | kg | lbs | kg |
| 32 | 1.8 | 0.8 | n/a | n/a |
| 50 | 2.6 | 1.2 | 2.9 | 1.3 |
| 65 | 4.6 | 2.1 | 5.1 | 2.3 |
| 75 | 6.4 | 2.9 | 7.1 | 3.2 |
| 85 | 8.4 | 3.8 | 9.3 | 4.2 |
| 95 | 12.1 | 5.5 | 13.4 | 6.1 |
| 110 | 14.6 | 6.6 | 16.8 | 7.6 |
| 125 | 24.9 | 11.3 | 28.4 | 12.9 |
| 140 | 30.4 | 13.8 | 35.1 | 15.9 |
| 160 | 45.2 | 20.5 | 52.7 | 23.9 |
| 190 | 64.4 | 29.2 | 76.5 | 34.7 |
| 210 | 89.7 | 40.7 | 108.9 | 49.4 |
| 240 | 146.8 | 66.6 | 176.4 | 80.0 |
| 270 | 179.50 | 81.4 | 224.7 | 101.9 |
| 300 | 238.1 | 108.0 | 298.9 | 135.6 |
| 350 | 323.4 | 146.7 | 414.7 | 188.1 |
| 400 | 486.1 | 220.5 | 625.0 | 283.5 |

How To Order Guide (Columns 1 thru 11)

| Series | Model | Springs | Seals |
|---------------------|-------|---|---|
| EZD = Double Acting | 32* | 9 | B = Buna (Standard -5°F to 176°F / -15°C to 80°C) V = Viton (High Temperature -5°F to 300°F / -15°C to 150°C) S = Silastic (Low Temperature -76°F to 176°F / -60°C to 80°C) |
| | 50 | 11 | |
| EZS = Spring Return | 65 | | |
| | 75 | | |
| | 85 | | |
| | 95 | | |
| | 110 | | |
| | 125 | | |
| | 140 | | |
| | 160 | | |
| | 190 | | |
| | 210 | | |
| | 240 | | |
| | 270 | | |
| 300 | | | |
| 350 | | | |
| 400 | | * Model 32 is only available as double acting | |

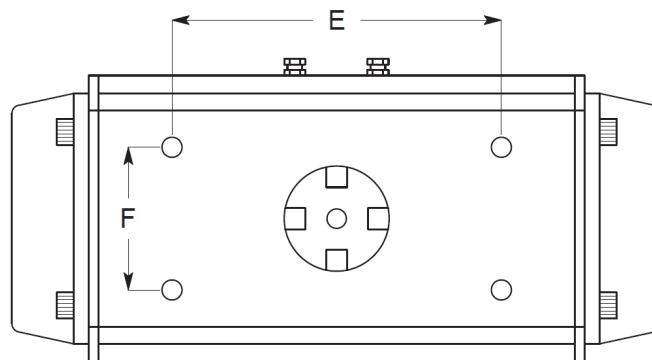
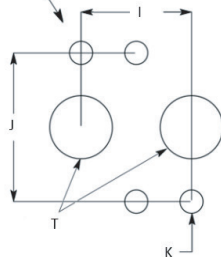
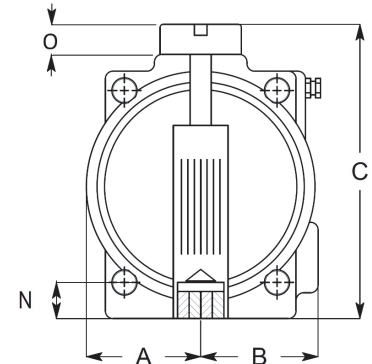
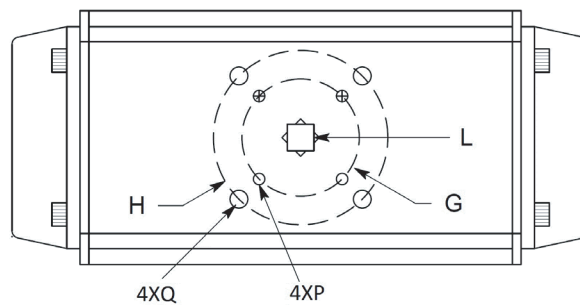
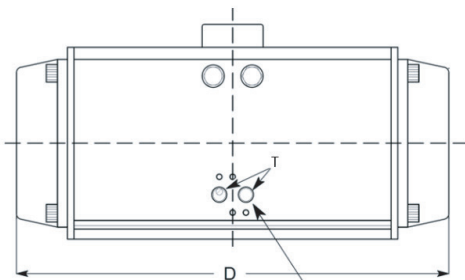
EZ-TORK Pneumatic Actuator

High Performance Compact Pneumatic Actuator



EZ-TORK DIMENSIONS (INCHES)

| Model | A | B | C | D | E | F | G | H | Flange | I | J | K | L sq | N | 4XP | 4XQ | O | T |
|-------|-------|-------|-------|-------|------|------|------|------|----------|-------|-------|-------------------|------|------|---------------------|---------------------|------|----------|
| | in | in | in | in | in | in | in | in | ISO 5211 | in | in | in | in | in | UNC | UNC | in | in |
| 32 | 0.79 | 1.06 | 2.76 | 4.33 | 1.97 | 1.18 | - | 1.42 | F03 | 0.945 | 1.26 | #10-24UNC X 0.31 | 0.43 | 0.39 | - | #10-24UNC x 0.35 | 0.79 | 1/8" NPT |
| 50 | 1.15 | 1.63 | 3.55 | 6.06 | 3.15 | 1.18 | 1.42 | 1.97 | F03/05 | 0.945 | 1.26 | #10-24UNC X 0.31 | 0.43 | 0.47 | #10-24UNC x 0.29 | 1/4"-20UNC x 0.35 | 0.79 | 1/4" NPT |
| 65 | 1.49 | 2.03 | 4.29 | 7.44 | 3.15 | 1.18 | 1.97 | 2.76 | F05/07 | 0.945 | 1.26 | #10-24UNC X 0.31 | 0.55 | 0.63 | 1/4"-20UNC x 0.35 | 5/16"-18UNC x 0.47 | 0.79 | 1/4" NPT |
| 75 | 1.72 | 2.32 | 4.73 | 8.27 | 3.15 | 1.18 | 1.97 | 2.76 | F05/07 | 0.945 | 1.26 | #10-24UNC X 0.31 | 0.55 | 0.63 | 1/4"-20UNC x 0.35 | 5/16"-18UNC x 0.47 | 0.79 | 1/4" NPT |
| 85 | 1.93 | 2.5 | 5.24 | 9.02 | 3.15 | 1.18 | 1.97 | 2.76 | F05/07 | 0.945 | 1.26 | #10-24UNC X 0.31 | 0.67 | 0.75 | 1/4"-20UNC x 0.35 | 5/16"-18UNC x 0.47 | 0.79 | 1/4" NPT |
| 95 | 2.16 | 2.8 | 5.63 | 10.39 | 3.15 | 1.18 | 1.97 | 2.76 | F05/07 | 0.945 | 1.26 | #10-24UNC X 0.31 | 0.67 | 0.75 | 1/4"-20UNC x 0.35 | 5/16"-18UNC x 0.47 | 0.79 | 1/4" NPT |
| 110 | 2.44 | 3.01 | 6.14 | 10.47 | 3.15 | 1.18 | 2.76 | 4.02 | F07/10 | 0.945 | 1.26 | #10-24UNC X 0.31 | 0.67 | 0.75 | 5/16"-18UNC x 0.47 | 3/8"-16UNC x 0.59 | 0.79 | 1/4" NPT |
| 125 | 2.83 | 3.35 | 7.52 | 13.27 | 3.15 | 1.18 | 2.76 | 4.02 | F07/10 | 0.945 | 1.26 | #10-24UNC X 0.31 | 0.86 | 0.98 | 5/16"-18UNC x 0.47 | 3/8"-16UNC x 0.59 | 1.18 | 1/4" NPT |
| 140 | 3.19 | 3.82 | 8.19 | 14.84 | 3.15 | 1.18 | 4.02 | 4.92 | F10/12 | 0.945 | 1.26 | #10-24UNC X 0.31 | 1.06 | 1.22 | 3/8"-16UNC x 0.59 | 1/2"-13UNC x 0.71 | 1.18 | 1/4" NPT |
| 160 | 3.55 | 4.17 | 9.05 | 16.22 | 5.12 | 1.18 | 4.02 | 4.92 | F10/12 | 0.945 | 1.26 | #10-24UNC X 0.31 | 1.06 | 1.22 | 3/8"-16UNC x 0.59 | 1/2"-13UNC x 0.71 | 1.18 | 1/4" NPT |
| 190 | 4.11 | 4.41 | 10.31 | 19.21 | 5.12 | 1.18 | 4.02 | 5.51 | F10/14 | 0.945 | 1.26 | #10-24UNC X 0.31 | 1.42 | 1.65 | 4-3/8"-16UNC x 0.59 | 4-5/8"-11UNC x 0.94 | 1.18 | 1/4" NPT |
| 210 | 4.55 | 4.72 | 11.22 | 21.65 | 5.12 | 1.18 | - | 5.51 | F14 | 0.945 | 1.26 | #10-24UNC X 0.31 | 1.42 | 1.65 | - | 4-5/8"-11UNC x 0.94 | 1.18 | 1/4" NPT |
| 240 | 5.15 | 5.16 | 12.68 | 23.7 | 5.12 | 1.18 | - | 6.5 | F16 | 0.945 | 1.26 | #10-24UNC X 0.31 | 1.8 | 1.97 | - | 4-3/4"-10UNC x 1.10 | 1.18 | 1/2" NPT |
| 270 | 5.8 | 5.81 | 14.21 | 26.46 | 5.12 | 1.18 | - | 6.5 | F16 | 0.945 | 1.26 | #10-24UNC X 0.31 | 1.8 | 1.97 | - | 4-3/4"-10UNC x 1.10 | 1.18 | 1/2" NPT |
| 300 | 6.38 | 6.81 | 15.12 | 30.87 | 5.12 | 1.18 | - | 6.5 | F16 | 0.945 | 1.26 | #10-24UNC X 0.31 | 1.8 | 1.97 | - | 4-3/4"-10UNC x 1.10 | 1.18 | 1/2" NPT |
| 350 | 7.48 | 7.68 | 17.32 | 33.27 | 5.12 | 1.18 | 6.5 | 10 | F16/25 | 0.945 | 1.26 | #10-24UNC X 0.31 | 1.8 | 1.97 | 4-3/4"-10UNC x 1.10 | 8-5/8"-11UNC x 1.19 | 1.18 | 1/2" NPT |
| 400 | 10.23 | 10.24 | 19.53 | 37.64 | 5.12 | 1.18 | - | 10 | F25 | 1.575 | 1.772 | 1/4"-20UNC X 0.38 | 2.2 | 2.36 | - | 8-5/8"-11UNC x 1.19 | 1.18 | 1/2" NPT |



EZ-TORK Pneumatic Actuator

High Performance Compact Pneumatic Actuator



EZ-TORK SPRING RETURN TORQUE OUTPUT (in-lbf)

| Model | Supply Pressure | |
|-----------|-----------------|---------------|
| | 60 PSI Torque | 80 PSI Torque |
| EZS-50-9 | 56 | 68 |
| EZS-65-7 | 108 | 139 |
| EZS-75-9 | 171 | 208 |
| EZS-85-9 | 242 | 302 |
| EZS-95-9 | 352 | 430 |
| EZS-110-9 | 456 | 557 |
| EZS-125-9 | 813 | 993 |
| EZS-140-9 | 1238 | 1,529 |
| EZS-160-9 | 1752 | 2,142 |
| EZS-190-9 | 2796 | 3,452 |
| EZS-210-9 | 3909 | 4,779 |
| EZS-240-9 | 6237 | 7,699 |
| EZS-270-9 | 8661 | 10,692 |
| EZS-300-9 | 10813 | 13,354 |
| EZS-350-9 | 15841 | 19,362 |
| EZS-400-9 | 24969 | 30,686 |

EZ-TORK DOUBLE ACTING TORQUE OUTPUT (in-lbf)

| Model | Supply Pressure | |
|---------|-----------------|---------------|
| | 60 PSI Torque | 80 PSI Torque |
| EZD-32 | 47 | 58 |
| EZD-50 | 142 | 175 |
| EZD-65 | 288 | 355 |
| EZD-75 | 447 | 551 |
| EZD-85 | 657 | 809 |
| EZD-95 | 922 | 1,137 |
| EZD-110 | 1,206 | 1,483 |
| EZD-125 | 2,154 | 2,650 |
| EZD-140 | 3,186 | 3,912 |
| EZD-160 | 4,412 | 5,427 |
| EZD-190 | 6,956 | 8,538 |
| EZD-210 | 9,712 | 11,919 |
| EZD-240 | 15,064 | 18,490 |
| EZD-270 | 21,180 | 25,995 |
| EZD-300 | 27,253 | 33,447 |
| EZD-350 | 40,446 | 49,638 |
| EZD-400 | 61,632 | 75,639 |