

# Series B42C Ball Valve

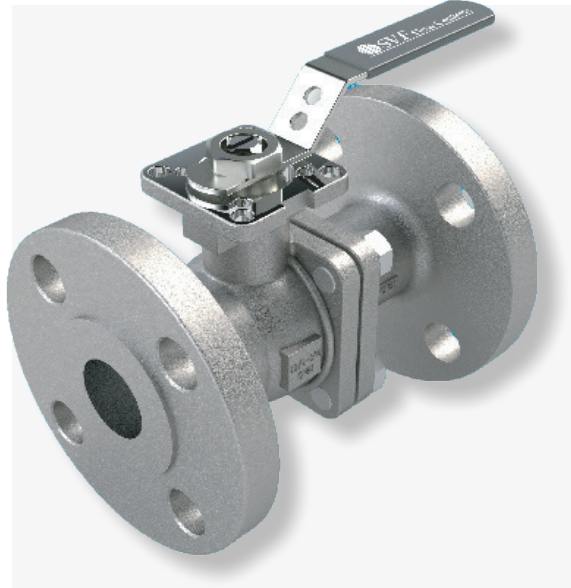
ANSI Class 300 Flanged, Fire-Safe Ball Valve  
 Sizes 1/2" ~ 8"



The SVF Series B42C Flanged Ball Valves are high performance, full ported valves certified to API-607 fire safe design, (with GRAFOIL<sup>®</sup> body seals only), ISO Top Works for actuation, and a selection of seats and seals for a wide range of industrial applications.

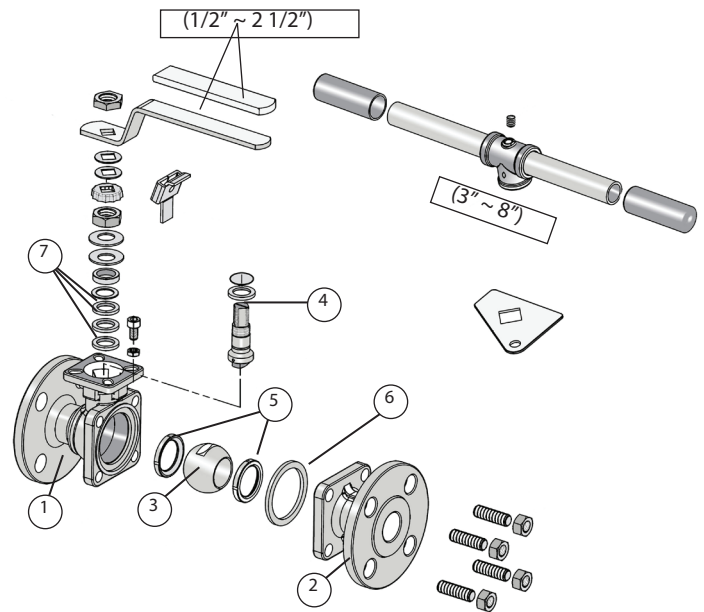
## SERIES B42C DESIGN FEATURES

- ✓ Fire-Safe certification to API-607 (with GRAFOIL<sup>®</sup>, body seals only)
- ✓ Certified to API-608 to meet the additional design, operation and performance requirements of the Petroleum Refining, Petrochemical Processing and Chemical Processing Industries
- ✓ Standard NACE MR 0175
- ✓ Chevron (V-Ring) stem seals (#7) assures low friction and leak tight performance (Available in PTFE only)
- ✓ ISO 5211 mounting pad for direct mount automation
- ✓ Seat materials available in SupraLon or TFM1600
- ✓ Blowout proof stem adds safety & reliability
- ✓ Standard Anti-Static stem
- ✓ Standard locking handle in both open and closed positions
- ✓ ISO 15848-1 Certified for Emissions



## MATERIALS OF CONSTRUCTION

ITEM	DESCRIPTION	MATERIALS SPECIFICATIONS
1	Body	316 Stainless Steel (ASTM A351 CF8M) Carbon Steel (ASTM A216 WCB)
2	End Connector	316L Stainless Steel (ASTM A351 CF8M) Carbon Steel (ASTM A216 WCB)
3	Ball	316 Stainless Steel (ASTM A351 CF8M)
4	Stem	316 Stainless Steel (SUS316)
5	Seat	TFM1600 <sup>™</sup> or SupraLon <sup>™</sup>
6	Body Seal	GRAFOIL <sup>®</sup> + 316 Stainless Steel or PTFE
7	Stem Seal	GRAFOIL <sup>®</sup> or PTFE



## SPECIFICATION STANDARDS OF COMPLIANCE

- Design - ASME B16.34, NACE MR 0175
- Face to Face: ASME B16.10
- End Flange: ASME B16.5
- Wall Thickness: ASME B16.34
- Inspection & Testing: API 598,
- Fire Safe: API 607, ISO 10497

*What do you need today?*<sup>™</sup>



# Series B42C Ball Valve

ANSI Class 300 Flanged, Fire-Safe Ball Valve

Sizes 1/2" ~ 8"

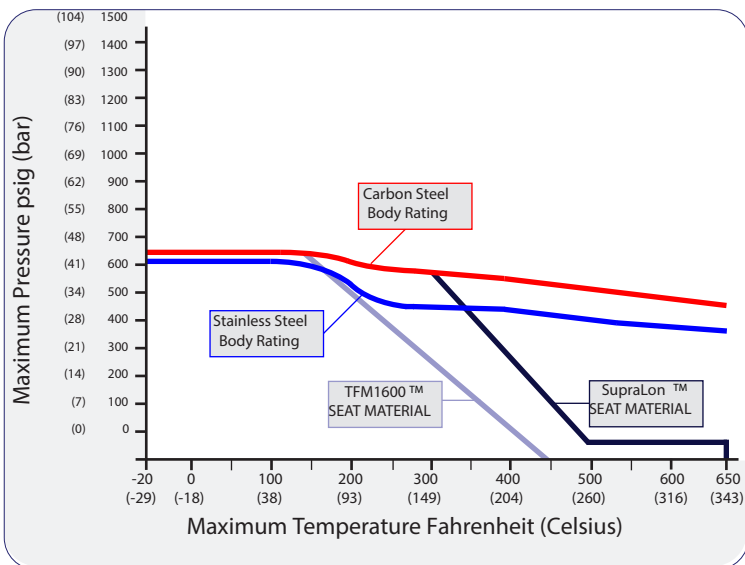


## DIMENSIONS, WEIGHT, C<sub>v</sub>, TORQUE

Size	A		B		D		L		Weight		C <sub>v</sub>	Torque* TFM1600™		Torque* SupraLon™	
	in.	mm	in.	mm	in.	mm	in.	mm	lbs	kg		in-lbf	Nm	in-lbf	Nm
1/2"	5.5	140	0.59	15	5.3	135	3.1	79	5	3	11	72	8	90	12
3/4"	6.0	152	0.79	20	5.3	135	3.5	89	8	4	26	81	9	109	13
1"	6.5	165	0.98	25	6.7	170	3.7	95	10	5	42	139	16	199	23
1-1/2"	7.5	190	1.50	38	7.9	200	4.3	110	19	9	120	303	35	433	50
2"	8.5	216	1.97	50	7.9	200	4.5	115	24	11	190	443	50	633	72
2-1/2"	9.5	241	2.52	64	11.8	300	5.9	150	40	18	450	683	78	976	112
3"	11.1	282	2.99	76	15.8	400	6.9	176	58	26	600	1138	129	1626	185
4"	12.0	305	3.94	100	15.8	400	8.0	204	92	42	1650	1708	193	2440	276
6"	15.87	403	5.91	150	31.5	800	10.8	275	215	98	2600	4690	530	6097	689
8"	19.76	502	7.87	200	31.5	800	12.9	328	277	126	4200	6726	760	8743	988

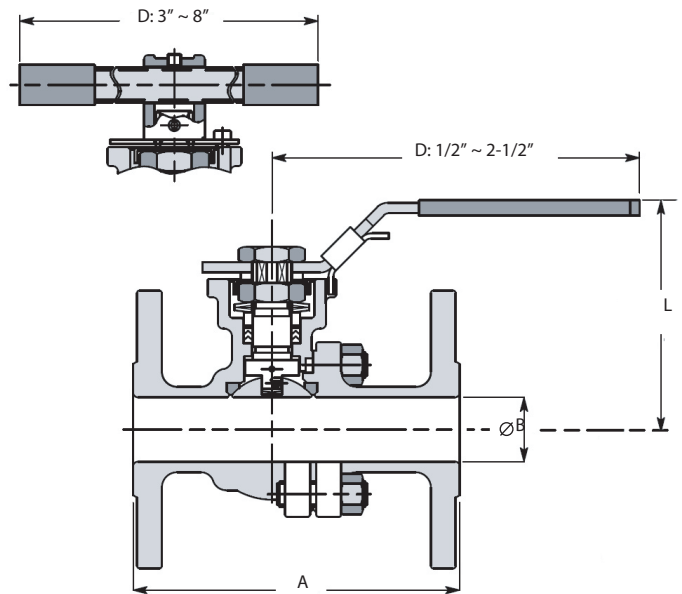
## B42C - PRESSURE/TEMPERATURE CHART

\* At full differential pressure for clean fluids



Class 300

Note: Maximum pressure & temperature is limited to the seat material rating



# Series B42C Ball Valve

ANSI Class 300 Flanged, Fire-Safe Ball Valve  
 Sizes 1/2" ~ 8"



How To Order Guide (Columns 1 thru 11)

1 SERIES	2 BODY	3 ENDS	4 BALL	5 STEM	6 SEAT MATERIAL
B42C	4 = Carbon Steel ASTM A216 WCB  6 = 316 Stainless Steel ASTM A351 CF8M	4 = Carbon Steel ASTM A216 WCB  6 = 316L Stainless Steel ASTM A351 CF8M	6 = 316 Stainless Steel ASTM A351 CF8M	6 = 316 Stainless Steel SUS 316	A = TFM1600™  S = SupraLon™

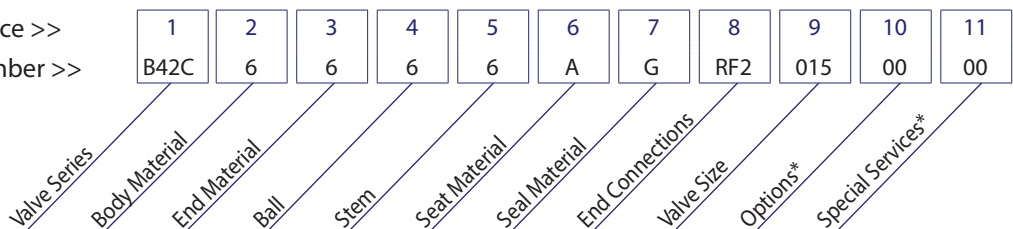
  

7 BODY/STEM SEAL	8 END CONNECTIONS	9 VALVE SIZE	10 OPTIONS*	11 SPECIAL SERVICES*
T = PTFE  G = Grafoil	RF2 = 300# Flanged Ends (Raised Face)	005 = 1/2"  007 = 3/4"  010 = 1"  015 = 1-1/2"  020 = 2"  030 = 3"  040 = 4"  060 = 6"  080 = 8"	00 = None SX = ISO Cast Stem Extension SJ = Steam Jacket (1-1/2" to 8" sizes available) AP = Steam Jacket & ISO Stem Extension	00 = None XC = Oxygen Cleaned SF = Degreased (Silicone Free) UH = Vent/Relief Hole <sup>1</sup> AE = Oxygen Cleaned & Vent/Relief Hole <sup>1</sup> AK = Degreased & Vent/ Relief Hole <sup>1</sup>

Order Example: (B42C6666AGRF20150000) The Part Number will contain 20 digits.

Ordering Code Sequence >>

Sample Part Number >>



<sup>1</sup> Vent Hole is on the Upstream Side

\*Not all Options or Special Services available on all ball valves. Consult SVF for additional information.