

Series 400CSF-8 Gate Valve

Sizes 2" ~ 12"
Trim 8

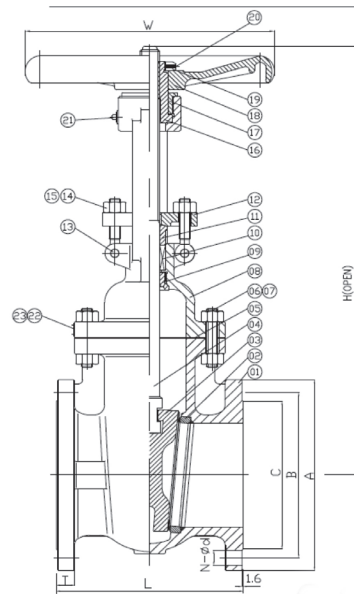
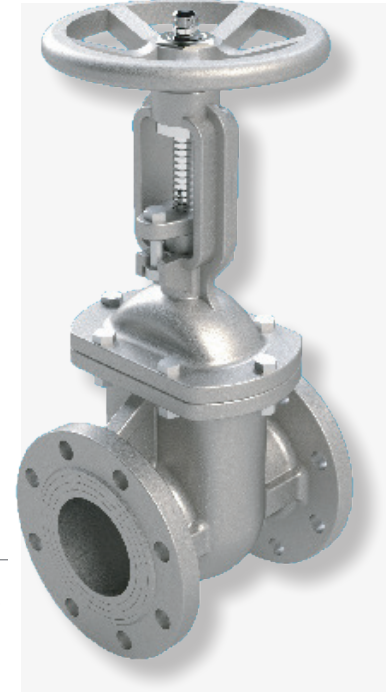


SERIES 400CSF DESIGN FEATURES

- ✓ Cast Steel ASTM A216-WCB
- ✓ Class 150# flanged ends
- ✓ Maximum Pressure - 285 psi
- ✓ Maximum Temperature - 1000F
- ✓ Outside screw and yoke
- ✓ API 600 compliant
- ✓ Standard NACE MRO175
- ✓ Trim 8

MATERIALS OF CONSTRUCTION

| No. | Part | Material Stainless |
|-----|-----------------|-----------------------|
| 1 | Body | ASTM A216-WCB |
| 2 | Seat | ASTM A105+STL |
| 3 | Wedge | ASTM A216-WCB+13Cr |
| 4 | Stem | ASTM A182-F6a |
| 5 | Gasket | 304+Flexible Graphite |
| 6 | Bonnet Bolt | ASTM A193-B7 |
| 7 | Nut | ASTM A194-2H |
| 8 | Bonnet | ASTM A216-WCB |
| 9 | Back Seat | ASTM A276-410 |
| 10 | Packing | Flexible Graphite |
| 11 | Gland | ASTM A276-410 |
| 12 | Gland Flange | ASTM A216-WCB |
| 13 | Pin | CS |
| 14 | Eyebolt | ASTM A193-B7 |
| 15 | Nut | ASTM A194-2H |
| 16 | Stem Nut | ASTM A536-FCD45 |
| 17 | Clamp Nut | ASTM A29-1025 |
| 18 | Handwheel | ASTM A47-32510 |
| 19 | Lock Nut | ASTM A29-1035 |
| 20 | Screw | ASTM A29-1035 |
| 21 | Lubricating Cap | Copper Alloy |
| 22 | Rivet | SS |
| 23 | Name Plate | SS |



| PART NUMBER & DIMENSIONS | | | | | | | | | | |
|--------------------------|--------|-------|-------|-------|------|------|-------|-------|-------|-------|
| Part Number | Size | A | B | C | T | F | L | H | W | n-Ød |
| 400CSF08-8 | 2" | 5.99 | 4.75 | 3.62 | 0.63 | 0.06 | 7.01 | 15.88 | 7.88 | 4-3/4 |
| 400CSF09-8 | 2-1/2" | 7.01 | 5.50 | 4.14 | 0.69 | 0.06 | 7.49 | 17.10 | 7.88 | 4-3/4 |
| 400CSF10-8 | 3" | 7.49 | 6.01 | 5.00 | 0.75 | 0.06 | 8.00 | 19.11 | 9.85 | 4-3/4 |
| 400CSF11-8 | 4" | 9.02 | 7.51 | 6.19 | 0.95 | 0.06 | 9.02 | 23.13 | 9.85 | 8-3/4 |
| 400CSF13-8 | 6" | 10.99 | 9.52 | 8.51 | 1.02 | 0.06 | 10.52 | 30.22 | 11.03 | 8-3/4 |
| 400CSF14-8 | 8" | 13.51 | 11.76 | 10.64 | 1.14 | 0.06 | 11.50 | 37.63 | 13.79 | 8-7/8 |
| 400CSF15-8 | 10" | 16.00 | 14.26 | 12.77 | 1.22 | 0.06 | 13.00 | 43.31 | 15.76 | 12-1 |
| 400CSF16-8 | 12" | 19.03 | 17.02 | 15.01 | 1.26 | 0.06 | 14.03 | 54.69 | 17.73 | 12-1 |

What do you need today?™

