

Series 26SS / CS Ball Valve

Two-Piece Ball Valve, Full Port

Sizes 1/4" ~ 2"



The SVF Series 26SS / CS full port ball valves are designed for general purpose performance in a wide variety of utility applications. The 26SS / CS is an economical, 2000 psi, manually operated valve that meets industry requirements for performance and dependability.

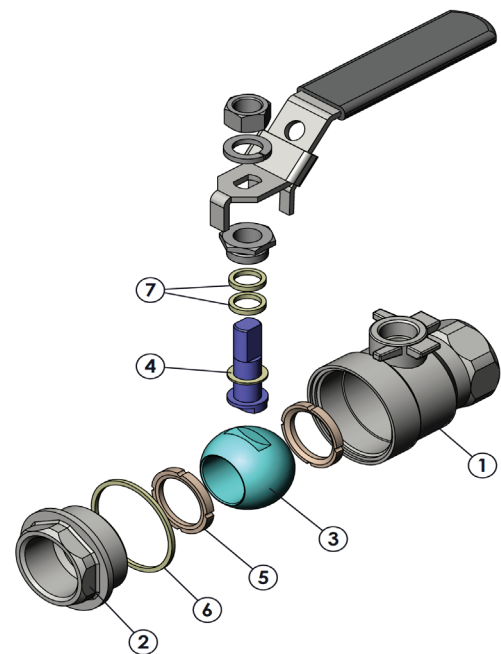
SERIES 26SS / CS DESIGN FEATURES

- ✓ Designed & built for economical performance
- ✓ Pressure rated for 2000 WOG
- ✓ Threaded End Connections
- ✓ Vinyl grip handle
- ✓ Blowout proof stem adds safety & reliability
- ✓ Lockable in the "Open" or "Closed" position



MATERIALS OF CONSTRUCTION

ITEM	DESCRIPTION	MATERIALS SPECIFICATIONS
1	Body	316 Stainless Steel (ASTM A351-CF8M) Carbon Steel (ASTM 216 WCB)
2	End Connector	316 Stainless Steel (ASTM A351-CF8M) Carbon Steel (ASTM 216 WCB)
3	Ball	316 Stainless Steel (ASTM A351-CF8M)
4	Stem	AISI 316
5	Seat	RTFE
6	Body Seal	PTFE
7	Stem Seal	PTFE



What do you need today?™



Series 26SS / CS Ball Valve

Two-Piece Ball Valve, Full Port

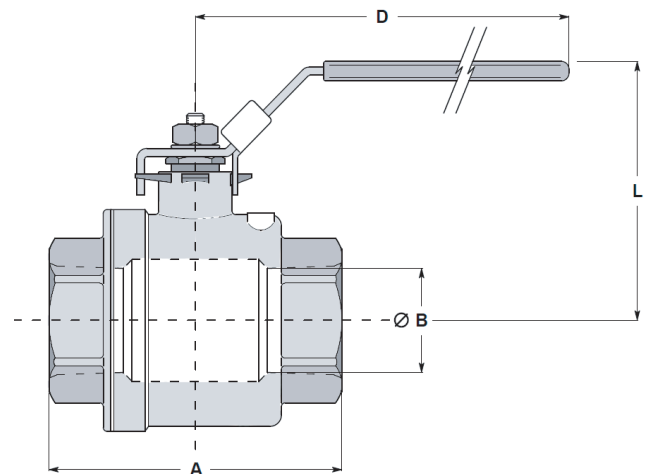
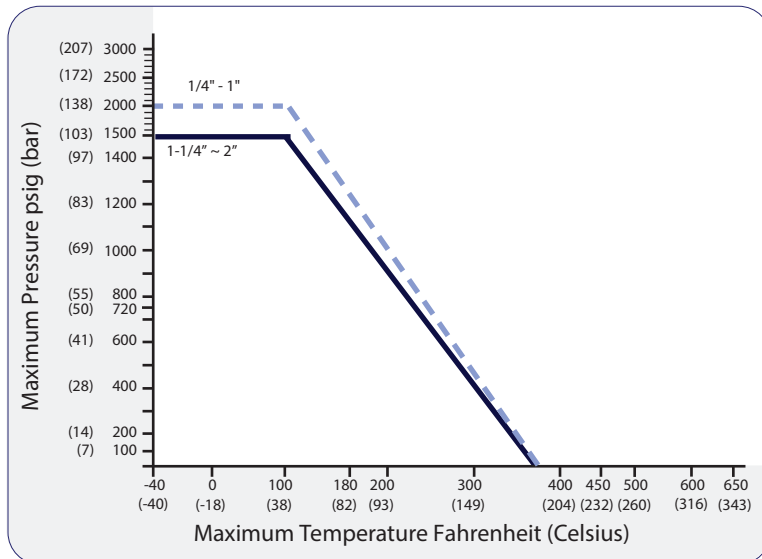
Sizes 1/4" ~ 2"



DIMENSIONS, WEIGHT, C V

Size	A		B		D		L		Weight		Cv
	in.	mm	in.	mm	in.	mm	in.	mm	lbs	kg	
1/4"	1.85	47	0.43	11	3.74	95	2.00	51	0.73	0.33	7
3/8"	1.85	47	0.50	13	3.74	95	2.00	51	0.73	0.33	8
1/2"	2.24	57	0.59	15	3.74	95	2.09	53	0.73	0.33	12
3/4"	2.55	65	0.79	20	4.33	110	2.36	60	1.17	0.53	21
1"	2.99	76	0.99	25	5.31	135	2.87	73	1.59	0.72	35
1-1/4"	3.46	88	1.26	32	5.31	135	3.11	79	2.80	1.27	57
1-1/2"	4.02	102	1.50	38	6.50	165	3.58	91	3.84	1.74	80
2"	4.84	123	1.97	50	6.50	165	3.89	99	4.67	2.11	148

26SS / CS - PRESSURE/TEMPERATURE CHART



Class 900 (Sizes: 1/4" to 1")

Class 600 (Sizes: 1-1/4" to 2")

26SS / CS Series Part Numbers

Stainless Steel				Carbon Steel			
Size	Part #	Size	Part #	Size	Part #	Size	Part #
1/4"	26SSTH01M	1"	26SSTH05M	1/4"	26CSTH01M	1"	26CSTH05M
3/8"	26SSTH02M	1-1/4"	26SSTH06M	3/8"	26CSTH02M	1-1/4"	26CSTH06M
1/2"	26SSTH03M	1-1/2"	26SSTH07M	1/2"	26CSTH03M	1-1/2"	26CSTH07M
3/4"	26SSTH04M	2"	26SSTH08M	3/4"	26CSSTH04M	2"	26CSTH08M