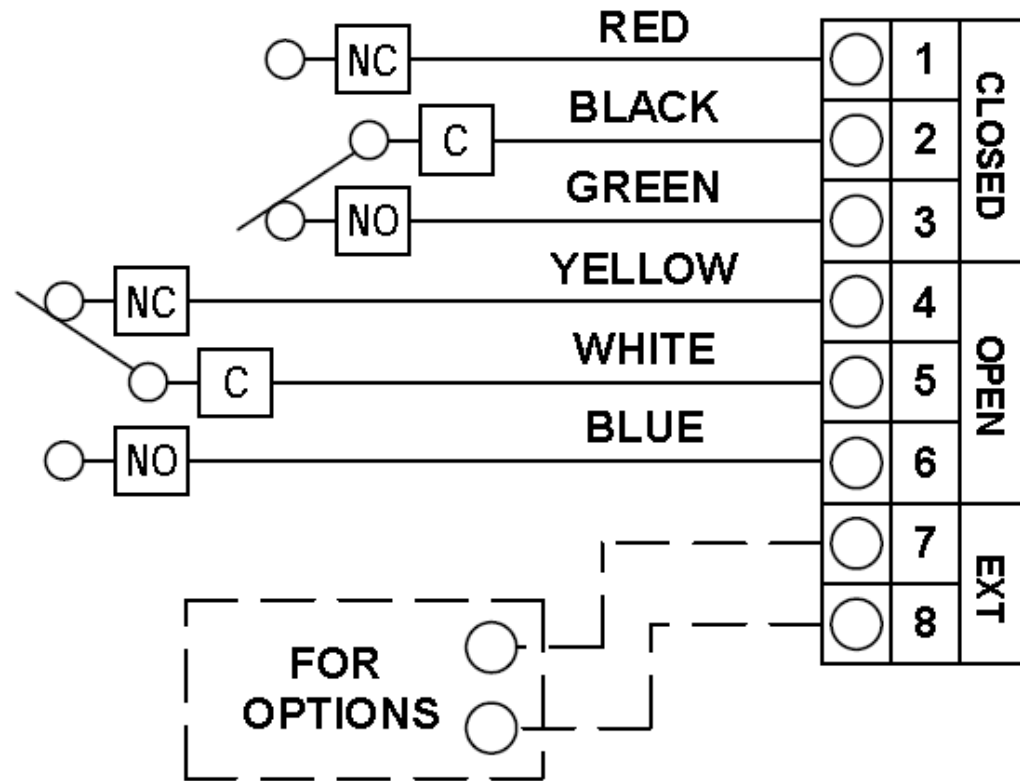
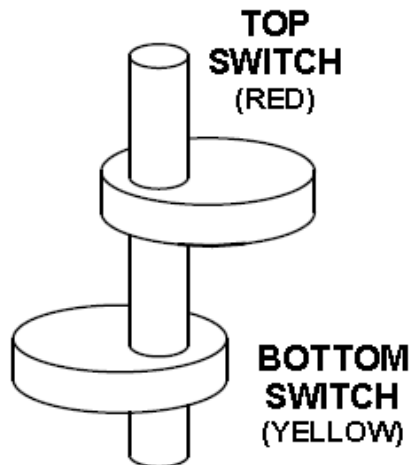




### WIRING DIAGRAMS FOR STANDARD MECHANICAL SWITCH, 2SPDT, 5A 125-250VAC



Mechanical Switches M2A= (Standard) 2 SPDT, 5A 125-250VAC, 1.5A/24VDC (Wiring Diagram # WDNX2M2A)

**NOTE: This wiring diagram covers all voltages of all Pilot Valves.  
Check the coil rating and product part number before energizing coil.**