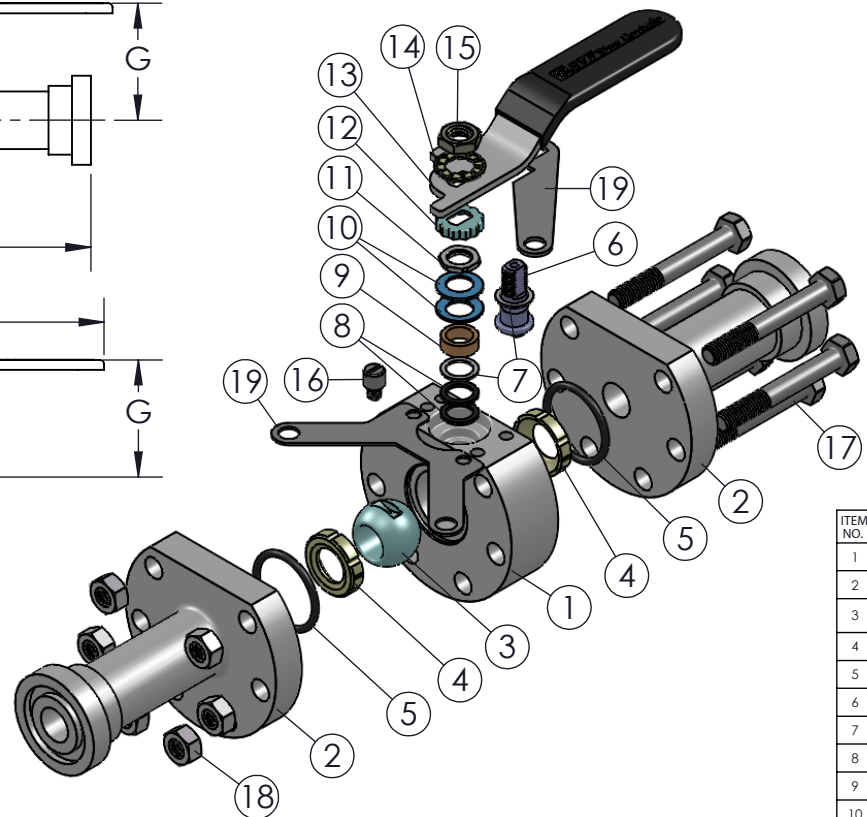
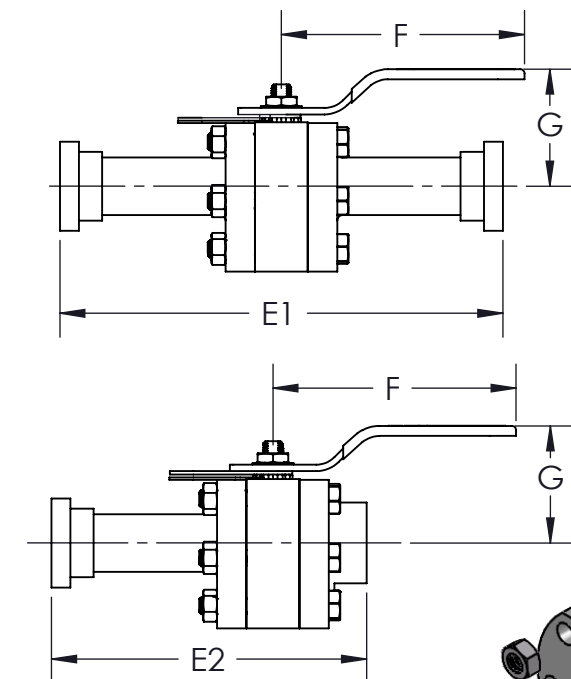


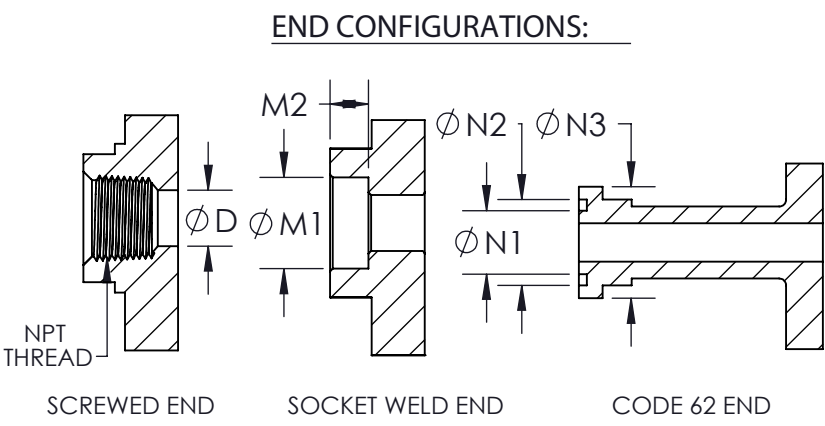
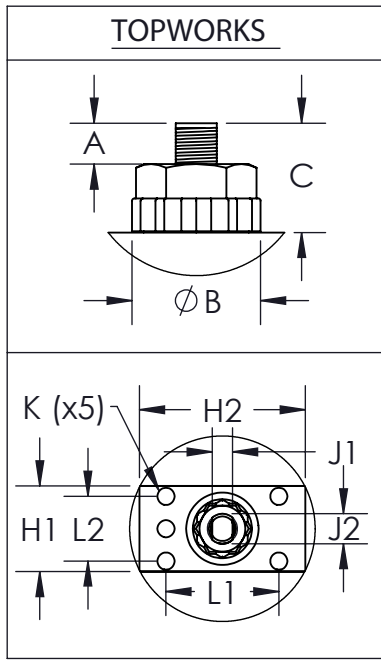
A		B				C				D				E			F			G						
SIZE	A	øB	C	øD	E1	E2	F	G	H1	H2	J1	J2	K	L1	L2	øM1	M2	øN1	øN2	øN3	NPT THREAD	WEIGHT (lbs)	Cv	TORQUE* (in-lbf)	BODY BOLT SIZE	BODY NUT SIZE
3/4"	0.18 (5)	0.91 (23)	0.44 (11)	0.56 (14)	8.12 (206)	5.76 (146)	5 (127)	1.9 (48)	0.97 (25)	2.03 (52)	0.22 (6)	0.37 (9)	M5-0.8	1.32 (33)	0.59 (15)	1.07 (27)	0.56 (14)	0.93 (23)	1.25 (32)	1.62 (41)	3/4"-14NPT	5.3	12	200	M8 - 1.25 X 60	M8 - 1.25P
1"	0.28 (7)	1.05 (26)	0.67 (17)	0.82 (21)	8.75 (222)	6.38 (162)	6 (152)	2.4 (61)	1.25 (32)	2.40 (61)	0.30 (8)	0.43 (11)	M5-0.8	1.64 (42)	0.94 (24)	1.33 (34)	0.56 (14)	1.25 (32)	1.56 (40)	1.87 (47)	1"-11.5NPT	9.9	32	300	M10 - 1.5 X 80	M10 - 1.5P



**PRODUCT INFORMATION:**  
 1. END CONNECTIONS AVAILABLE IN: CODE 62 ENDS (UFA), SCREWED END (FNPT) X CODE 62 ENDS (UFA) AND SOCKET WELD END X CODE 62 ENDS (UFA)  
 2. SERVICES INCLUDE: HIGH PRESSURE GAS SERVICE  
 3. BALL IS VENTED ON THE STEM SLOT AREA  
 4. ALL STAINLESS STEEL PASSIVATED  
 5. MOUNTING KIT AVAILABLE FOR COMPLETE VALVE AUTOMATION

**OPTIONS :**  
 1. LOCKING DEVICE  
 2. ANTI-STATIC DEVICE

**APPLICABLE STANDARDS:**  
 1. ASME B16.34: DESIGN  
 2. ANSI B1.20.1: NPT  
 3. API 598: INSPECTION AND TESTING  
 4. CGA G-4.1: CLEANING FOR OXYGEN SERVICE  
 5. ASME B16.11: FORGED STEEL FITTINGS/SOCKET WELDING



ITEM NO.	DESCRIPTION	MATERIALS	QTY.
1	BODY	A351-CF8M A479-316L A216-WCB	1
2	END	A351-CF3M A479-316L A216-WCB	2
3	BALL	A564-630	1
4	SEAT	DELRIN PEEK	2
5	BODY SEAL	BUNA N VITON EPDM	2
6	STEM	A564-630	1
7	STEM THRUST WASHER	PEEK	2
8	STEM SEAL	SUPRALON	2
9	GLAND FOLLOWER	304 STAINLESS STEEL	1
10	BELLEVILLE WASHER	17-7PH STAINLESS STEEL	2
11	JAM NUT	304 STAINLESS STEEL	1
12	LOCK TAB	304 STAINLESS STEEL	1
13	LEVER HANDLE	304 STAINLESS STEEL	1
14	SERRATED LOCK WASHER (1" ONLY)	304 STAINLESS STEEL	1
15	HANDLE NUT	304 STAINLESS STEEL	1
16	STOP PIN	304 STAINLESS STEEL	1
17	BODY BOLT	316 STAINLESS STEEL	6
18	BODY NUT	316 STAINLESS STEEL	6
19	LOCKING DEVICE (OPTIONAL)	304 STAINLESS STEEL	2

DRAWN BY E.P. CHECKED BY E.G. APPROVED BY J.S. <small>(FOR REF ONLY IF NOT APPROVED)</small>	DATE 06/16/2017 DATE 03/19/2018 DATE 03/19/2018	
DESCRIPTION: 3/4" AND 1" H7-62 3-PIECE HIGH PRESSURE BALL VALVE		
UNITS: INCH (MILLIMETERS)		DATE: 03/19/2018 REV: C