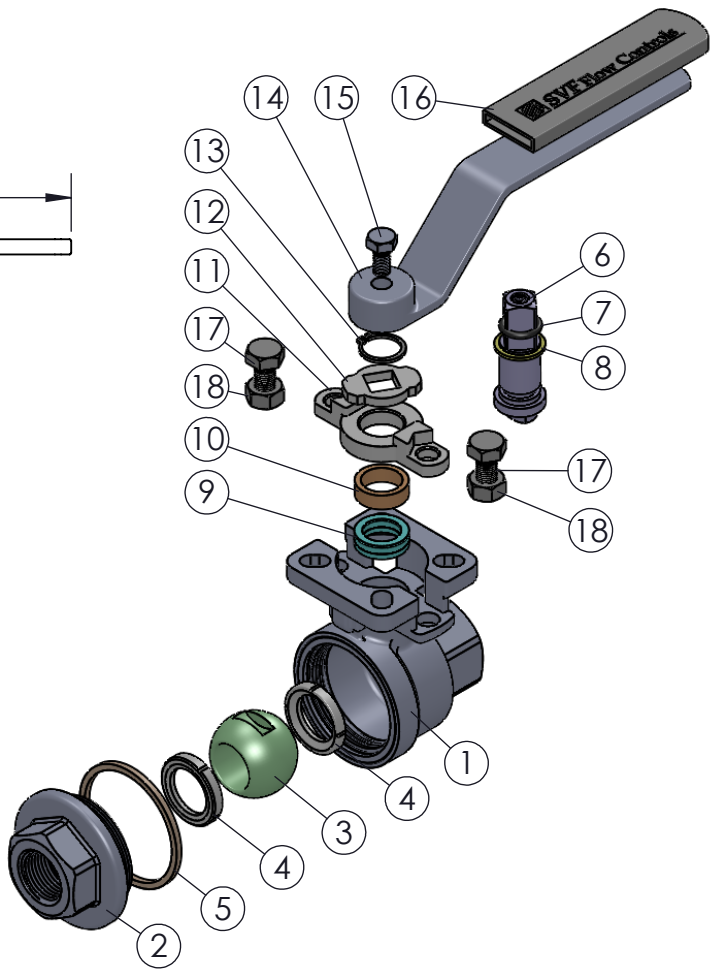
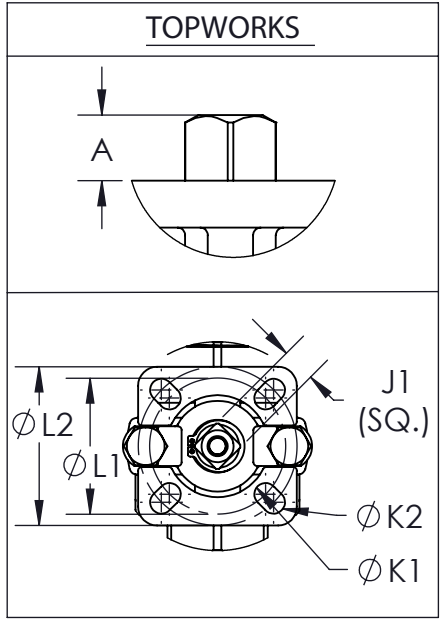
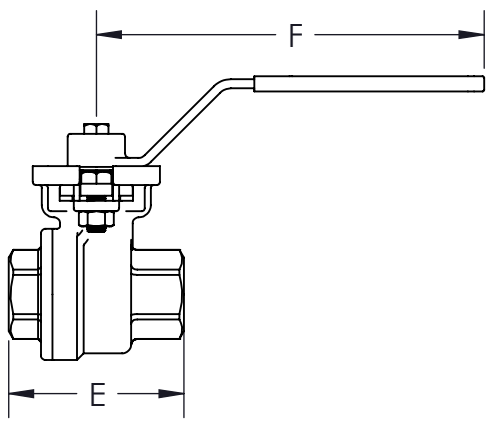
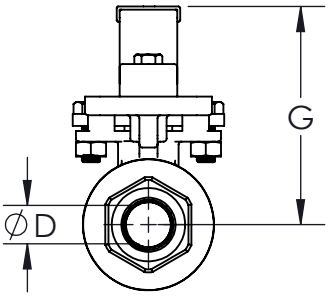
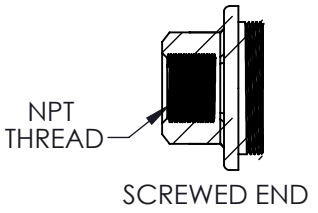


*AT FULL DIFFERENTIAL PRESSURE FOR CLEAN FLUIDS WITH PTFE SEATS

SIZE	A	øD	E	F	G	J1 (SQ.)	øK1	øK2	øL1	øL2	NPT THREAD	ISO 5211	WEIGHT (lbs)	Cv	*TORQUE (in-lbf)
1/2"	0.35 (9)	0.59 (15)	2.28 (58)	4.92 (125)	2.91 (74)	0.35 (9)	0.24 (6)	0.24 (6)	1.42 (36)	1.65 (42)	1/2"-14NPT	F03-F04	1.0	10	44
3/4"	0.35 (9)	0.78 (20)	2.63 (67)	4.92 (125)	3.07 (78)	0.35 (9)	0.24 (6)	0.24 (6)	1.42 (36)	1.65 (42)	3/4"-14NPT	F03-F04	1.3	25	62
1"	0.43 (11)	0.98 (25)	3.07 (78)	6.10 (155)	3.50 (89)	0.43 (11)	0.24 (6)	0.28 (7)	1.65 (42)	1.97 (50)	1"-11.5NPT	F04-F05	2.0	35	112
1-1/2"	0.55 (14)	1.50 (38)	4.09 (104)	7.40 (188)	4.33 (110)	0.55 (14)	0.28 (7)	0.35 (9)	1.97 (50)	2.76 (70)	1-1/2"-11.5NPT	F05-F07	4.7	80	278
2"	0.55 (14)	1.97 (50)	4.96 (126)	7.40 (188)	4.64 (118)	0.55 (14)	0.28 (7)	0.35 (9)	1.97 (50)	2.76 (70)	2"-11.5NPT	F05-F07	6.9	110	322



END CONFIGURATION:



PRODUCT INFORMATION:
 1. END CONNECTIONS AVAILABLE IN: SCREWED ENDS (FNPT)
 2. ANTI-STATIC DEVICE
 3. BALL IS VENTED ON THE STEM SLOT AREA
 4. ADJUSTABLE STEM SEAL GLAND
 5. COMPLETE VALVE AUTOMATION

APPLICABLE STANDARDS:
 1. ASME B16.34: DESIGN
 2. API 598: INSPECTION AND TESTING
 3. ANSI B1.20.1: NPT
 4. ISO 5211: MOUNTING
 5. ISO 7121: ANTI-STATIC
 6. USP CLASS VI: CONFIRMATION OF COMPLIANCE (PTFE MATERIAL)

ITEM NO.	DESCRIPTION	MATERIALS	QTY.
1	BODY	A351-CF8M	1
2	END	A351-CF8M	1
3	BALL	A351-CF8M	1
4	SEAT	PTFE	2
5	BODY SEAL	PTFE	1
6	STEM	A351-CF8M	1
7	STEM O-RING	VITON	1
8	STEM THRUST WASHER	TFM4215	1
9	STEM PACKING	PTFE	3
10	GLAND FOLLOWER	304 STAINLESS STEEL	1
11	GLAND	A351-CF8	1
12	STOPPER	304 STAINLESS STEEL	1
13	SNAP RING	304 STAINLESS STEEL	1
14	LEVER HANDLE	A351-CF8	1
15	HANDLE BOLT	304 STAINLESS STEEL	1
16	HANDLE SLEEVE	PLASTIC	1
17	BOLT	304 STAINLESS STEEL	2
18	NUT	304 STAINLESS STEEL	2

DRAWN BY E.P. DATE 06/13/2017
 CHECKED BY E.G. DATE 03/23/2018
 APPROVED BY J.S. DATE 03/23/2018

PROJECTION THIRD ANGLE

SVF FLOW CONTROLS

DESCRIPTION: 1/4" - 3" BEV9B 2-PIECE DIRECT MOUNT BALL VALVE, FULL PORT

UNITS: INCH (MILLIMETERS) DATE: 03/23/2018 REV: C