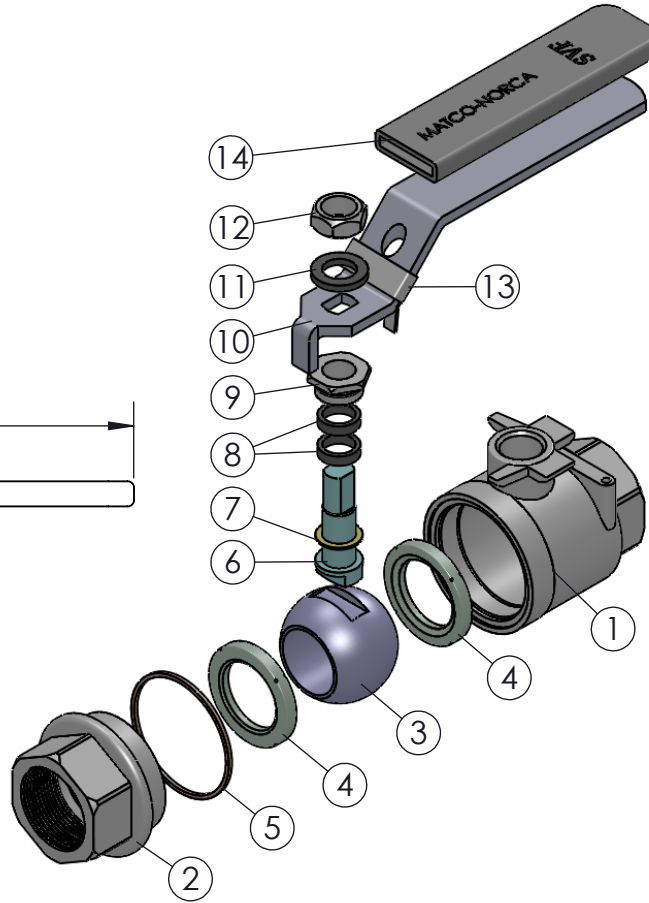
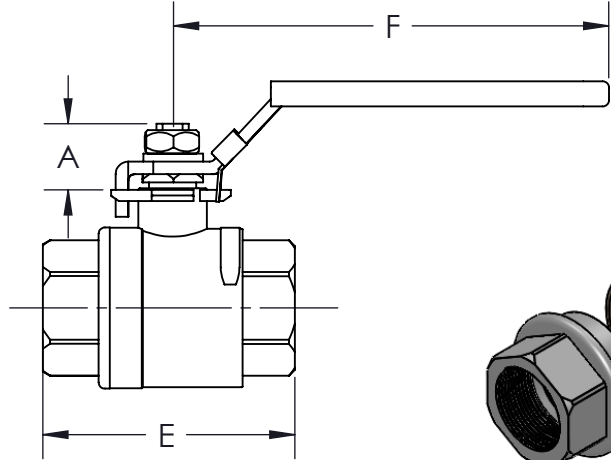
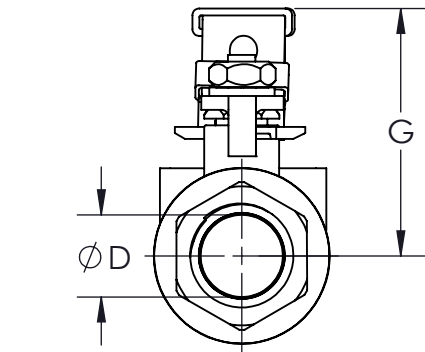
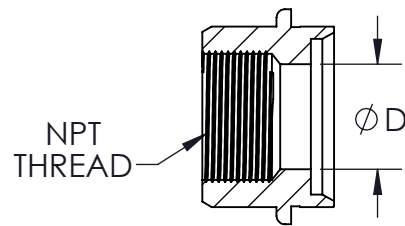


\*AT FULL DIFFERENTIAL PRESSURE FOR CLEAN FLUIDS WITH RTFE SEATS



**END CONFIGURATION:**



**SCREWED END**

SIZE	A	øD	E	F	G	NPT THREAD	WEIGHT (lbs)	Cv
1/4"	0.59 (15)	0.43 (11)	1.89 (48)	3.86 (98)	1.93 (49)	1-4"-18NPT	0.4	7
3/8"	0.59 (15)	0.47 (12)	1.89 (48)	3.86 (98)	1.93 (49)	3/8"-18NPT	0.4	8
1/2"	0.59 (15)	0.59 (15)	2.20 (56)	3.86 (98)	2.08 (53)	1/2"-14NPT	0.6	11
3/4"	0.67 (17)	0.79 (20)	2.56 (65)	4.72 (120)	2.48 (63)	3/4"-14NPT	0.9	21
1"	0.83 (21)	0.98 (25)	3.03 (77)	6.06 (154)	2.83 (72)	1"-11.5NPT	1.4	35
1-1/4"	0.83 (21)	1.26 (32)	3.54 (90)	6.06 (154)	3.03 (77)	1-1/4"-11.5NPT	2.2	57
1-1/2"	0.98 (25)	1.50 (38)	3.86 (98)	7.24 (184)	3.62 (92)	1-1/2"-11.5NPT	3.0	80
2"	0.98 (25)	1.97 (50)	4.76 (121)	7.24 (184)	3.98 (101)	2"-11.5NPT	5.1	148
2-1/2"	1.45 (37)	2.56 (65)	5.71 (145)	9.64 (245)	5.08 (129)	2-1/2"-8NPT	10.1	265
3"	1.45 (37)	2.99 (76)	6.53 (166)	9.64 (245)	5.47 (139)	3" NPT	15.4	415

**PRODUCT INFORMATION:**

1. END CONNECTIONS AVAILABLE IN: SCREWED ENDS (FNPT)
2. 1/4" - 3" FULL PORT
3. BLOW-OUT PROOF STEM
4. STANDARD LOCKING HANDLE
5. ANTI-STATIC DEVICE

**APPLICABLE STANDARDS:**

1. ASME B16.34: DESIGN
2. API 598: INSPECTION AND TESTING
3. ANSI B1.20.1: NPT
4. USP CLASS VI: CONFIRMATION OF COMPLIANCE (PTFE MATERIAL)

ITEM NO.	DESCRIPTION	MATERIALS	QTY.
1	BODY	A351-CF8M	1
2	END	A351-CF8M	1
3	BALL	A351-CF8M	1
4	SEAT	RTFE	2
5	BODY SEAL	PTFE	1
6	STEM	A276-316	1
7	STEM THRUST WASHER	PTFE	1
8	STEM SEAL	PTFE	2
9	GLAND NUT	304 STAINLESS STEEL	1
10	HANDLE	430 STAINLESS STEEL	1
11	SPRING WASHER	304 STAINLESS STEEL	1
12	STEM NUT	304 STAINLESS STEEL	1
13	LOCKING DEVICE	430 STAINLESS STEEL	1
14	HANDLE SLEEVE	PVC	1

DRAWN BY E.P.	DATE 06/23/2017
CHECKED BY E.G.	DATE 03/22/2018
APPROVED BY J.S.	DATE 03/22/2018

THE INFORMATION CONTAINED IN THIS DRAWING IS THE SOLE PROPERTY OF SVF FLOW CONTROLS, INC. ANY REPRODUCTION IN PART OR IN WHOLE WITHOUT THE WRITTEN CONSENT OF SVF FLOW CONTROLS, INC. IS PROHIBITED.

PROJECTION THIRD ANGLE:

**OSVF**  
FLOW CONTROLS

DESCRIPTION:  
1/4" - 3" BEV 2-PIECE FULL PORT BALL VALVE

UNITS: INCH (MILLIMETERS)    DATE: 03/22/2018    REV: B