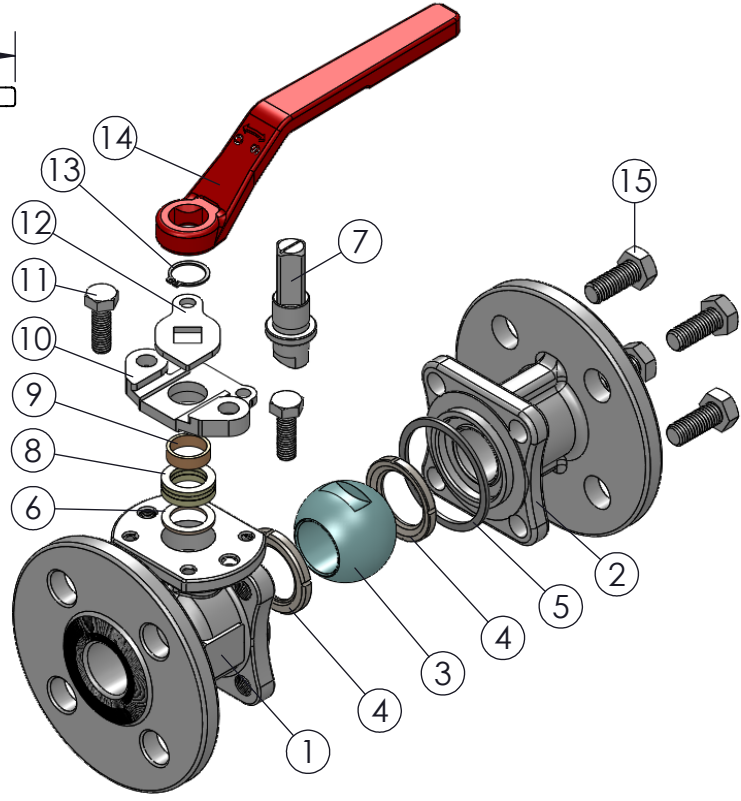
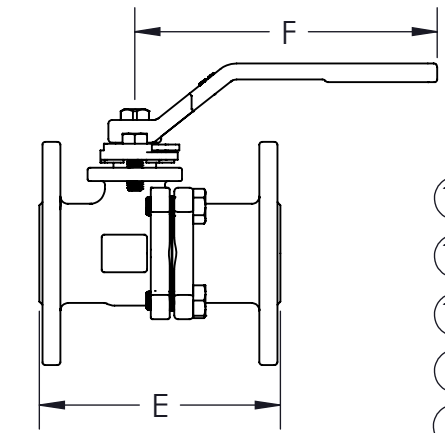
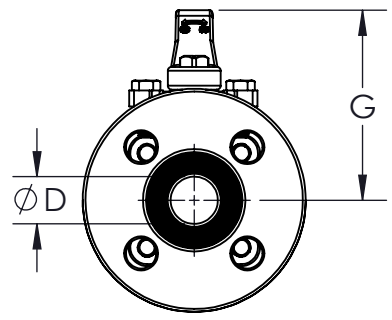


*AT FULL DIFFERENTIAL PRESSURE

SIZE	A	øD	E	F	G	J	øK THREAD	øL	ISO 5211	WEIGHT (lbs)	Cv	TORQUE* (in-lbf)
1"	1.30 (33)	0.98 (25)	5.00 (127)	6.30 (160)	4.06 (103)	0.47 (12)	M5-0.8	1.65 (42)	F04	6	85	195
1-1/2"	1.57 (40)	1.57 (40)	6.50 (165)	9.06 (230)	4.41 (112)	0.67 (17)	M8-1.25	2.76 (70)	F07	13	200	257
2"	1.61 (41)	1.97 (50)	7.01 (178)	9.06 (230)	4.80 (122)	0.67 (17)	M8-1.25	2.76 (70)	F07	19	320	301
2-1/2"	2.09 (53)	2.56 (65)	7.48 (190)	13.78 (350)	5.94 (151)	0.83 (21)	M8-1.25	2.76 (70)	F07	29	450	443
3"	2.09 (53)	3.15 (80)	7.99 (203)	13.78 (350)	6.34 (161)	0.83 (21)	M10-1.5	4.02 (102)	F10	39	600	664
4"	2.09 (53)	3.94 (100)	9.02 (229)	13.78 (350)	6.89 (175)	0.83 (21)	M10-1.5	4.02 (102)	F10	62	1100	885
6"	2.40 (61)	5.91 (150)	15.51 (394)	29.53 (750)	9.72 (247)	0.94 (24)	M12-1.75	4.92 (125)	F12	145	2600	2390



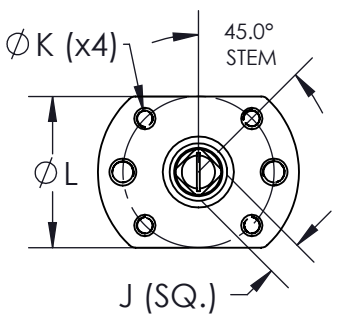
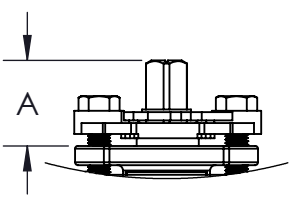
PRODUCT INFORMATION:

1. BLOW OUT PROOF STEM
2. STANDARD LOCKING HANDLE
3. BALL IS VENTED ON THE STEM SLOT AREA
4. COMPLETE VALVE AUTOMATION

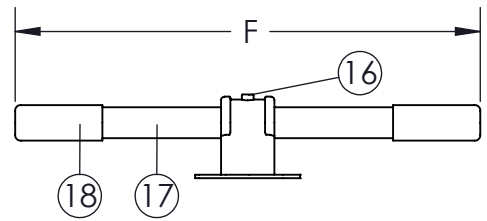
APPLICABLE STANDARDS:

1. NACE MRO175
2. ASME B16.34: DESIGN AND WALL THICKNESS
3. ASME B16.10: FACE TO FACE
4. ASME B16.5: END FLANGE
5. API 598: INSPECTION AND TESTING
6. USP CLASS VI: CONFIRMATION OF COMPLIANCE (PTFE MATERIAL)

TOPWORKS:



SIZE 6" WITH PIPE HANDLE:



ITEM NO.	DESCRIPTION	MATERIALS	QTY.
1	BODY	A351-CF8M A216-WCB	1
2	END	A351-CF8M A216-WCB	1
3	BALL	A351-CF8M A351-CF8	1
4	SEAT	RTFE	2
5	BODY SEAL	PTFE	1
6	STEM THRUST WASHER	PTFE	1
7	STEM	A351-CF8M A351-CF8	1
8	STEM PACKING	PTFE	3
9	GLAND FOLLOWER	PTFE	1
10	GLAND	304 STAINLESS STEEL	1
11	GLAND BOLT	304 STAINLESS STEEL	2
12	LOCKING DEVICE	304 STAINLESS STEEL	1
13	SNAP RING	304 STAINLESS STEEL	1
14	HANDLE (SIZES 1" - 4")	A216-WCB	1
15	BODY BOLT	304 STAINLESS STEEL	4
16	PIPE HANDLE BOLT (SIZE 6")	304 STAINLESS STEEL	1
17	PIPE HANDLE (SIZE 6")	304 STAINLESS STEEL	1
18	HANDLE SLEEVE (SIZE 6")	PLASTIC	1

DRAWN BY C.L.	DATE 09/11/2017
CHECKED BY E.P.	DATE 03/23/2018
APPROVED BY J.S.	DATE 03/23/2018

THE INFORMATION CONTAINED IN THIS DRAWING IS THE SOLE PROPERTY OF SVF FLOW CONTROLS, INC. ANY REPRODUCTION IN PART OR IN WHOLE WITHOUT THE WRITTEN CONSENT OF SVF FLOW CONTROLS, INC. IS PROHIBITED.



DESCRIPTION:
1" - 6" 20SS FLANGED BALL VALVE, ANSI CLASS 150, FULL PORT



UNITS: INCH (MILLIMETERS)	DATE: 09/02/2021	REV: D
---------------------------	------------------	--------