

# Series 7B41 Ball Valve

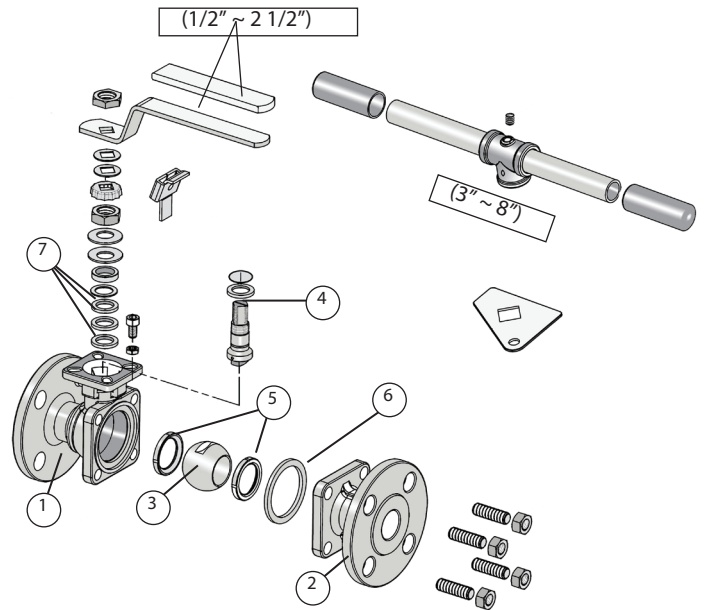
ANSI Class 150 Flanged, Hydrogen Peroxide Service  
 Sizes 1/2" ~ 8"



The SVF Series 7B41 Flanged, Full Ported Ball Valves are designed specifically for Hydrogen Peroxide Service. The materials of construction have been selected to meet the specific needs of Hydrogen Peroxide and the valve internals are designed to eliminate areas of entrapment where decomposition may occur.

## SERIES 7B41 DESIGN FEATURES

- ✓ All valves are cleaned, bagged and sealed according to ASTM G-93 standards to remove contaminants.
- ✓ 316 Stainless steel cast materials are passivated for H<sub>2</sub>O<sub>2</sub> applications
- ✓ An upstream vented ball provides pressure relief in the "Open" or "Closed" position
- ✓ ISO 5211 mounting pad for direct mount automation
- ✓ TFM1600™ seats and PTFE seals are compatible with H<sub>2</sub>O<sub>2</sub>
- ✓ Blowout proof stem adds safety & reliability
- ✓ Permanently affixed flow arrow ensures pressure relief alignment with process design
- ✓ Latch lock handle fully compatible with OSHA



## MATERIALS OF CONSTRUCTION

ITEM	DESCRIPTION	MATERIALS SPECIFICATIONS
1	Body	316 Stainless Steel (ASTM A351 CF8M)
2	End Connector	316L Stainless Steel (ASTM A351 CF8M)
3	Ball	316 Stainless Steel (ASTM A351 CF8M)
4	Stem	316 Stainless Steel (ASTM A3276 316)
5	Seat	TFM1600™
6	Body Seal	PTFE
7	Stem Seal	PTFE

## SPECIFICATION STANDARDS OF COMPLIANCE

- Design - ASME B16.34, NACE MR 0175
- Face to Face: ASME B16.10
- End Flange: ASME B16.5
- Wall Thickness: ASME B16.34
- Inspection & Testing: API 598,
- Fire Safe: API 607, ISO 10497

*What do you need today?™*



# Series 7B41 Ball Valve

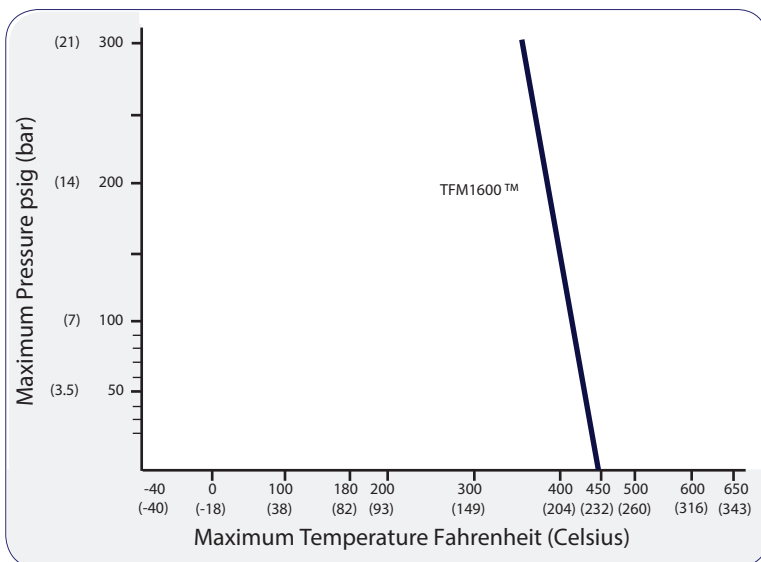
ANSI Class 150 Flanged, Hydrogen Peroxide Service  
 Sizes 1/2" ~ 8"



## DIMENSIONS, WEIGHT, C<sub>v</sub>, TORQUE

Size	A		B		D		L		Weight		C <sub>v</sub>	Torque* TFM1600™	
	in.	mm	in.	mm	in.	mm	in.	mm	lbs	kg		in-lbf	Nm
1/2"	4.25	108	0.59	15	5.70	145	3.07	78	4	1.8	25	63	7
3/4"	4.62	117	0.79	20	5.70	145	3.31	84	5	2.2	45	76	9
1"	5.00	127	0.98	25	6.90	175	3.52	89	6	2.7	85	130	15
1-1/2"	6.50	165	1.50	38	7.50	190	4.21	107	13	5.9	200	299	34
2"	7.00	178	1.97	50	7.50	190	4.41	112	24	10.9	320	371	42
2-1/2"	7.50	190	2.48	63	10.45	265	5.91	150	30	13.6	450	598	68
3"	8.00	203	2.99	76	11.80	300	6.30	160	38	17.4	600	988	112
4"	9.00	229	3.94	100	15.75	400	8.03	204	69	31.5	1650	1508	171
6"	15.50	394	5.91	150	31.50	800	10.85	275	161	73.6	2600	4160	470
8"	18.00	457	7.87	200	31.50	800	11.00	279	277	126.6	4200	6500	735

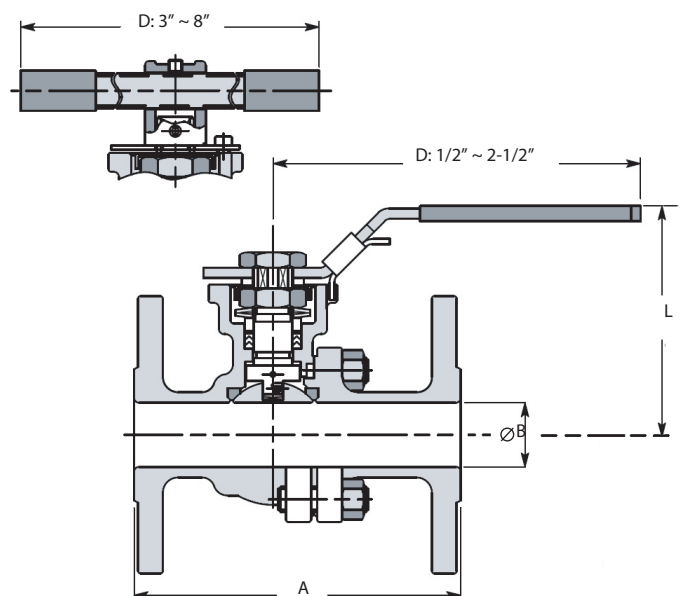
## 7B41 - PRESSURE/TEMPERATURE CHART



Class 150

Note: Maximum pressure & temperature is limited to the seat material rating

\* At full differential pressure for clean fluids



# Series 7B41 Ball Valve

ANSI Class 150 Flanged, Hydrogen Peroxide Service  
 Sizes 1/2" ~ 8"



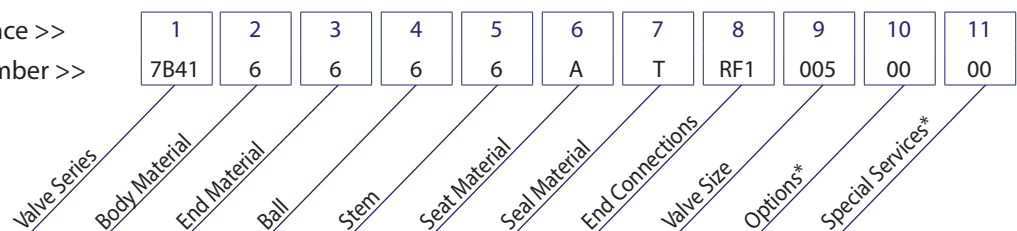
How To Order Guide (Columns 1 thru 11)

1 SERIES	2 BODY	3 ENDS	4 BALL	5 STEM	6 SEAT MATERIAL	7 BODY SEAL	8 END CONNECTIONS	9 VALVE SIZE	10 OPTIONS*	11 SPECIAL SERVICES*
7B41	6 = 316 Stainless Steel ASTM A351 CF8M	6 = 316L Stainless Steel ASTM A351 CF8M	6 = 316 Stainless Steel ASTM A351 CF8M	6 = 316 Stainless Steel ASTM A276 316	A = TFM1600™	T = PTFE	RF1 = 150# Flanged Ends (Raised Face)	005 = 1/2" 007 = 3/4" 010 = 1" 015 = 1-1/2" 020 = 2" 030 = 3" 040 = 4" 060 = 6" 080 = 8"	00 = None SX = ISO Cast Stem Extension	00 = None

Order Example: (7B416666ATRF10150000) The Part Number will contain 20 digits.

Ordering Code Sequence >>

Sample Part Number >>



\*Not all Options or Special Services available on all ball valves. Consult SVF for additional information.