

The SVF "V" Series Pneumatic & Electro-Pneumatic Positioners are designed and manufactured to offer years of trouble-free and economical operation. Every component has been field-tested and field-proven to exceed expectations of performance and reliability.

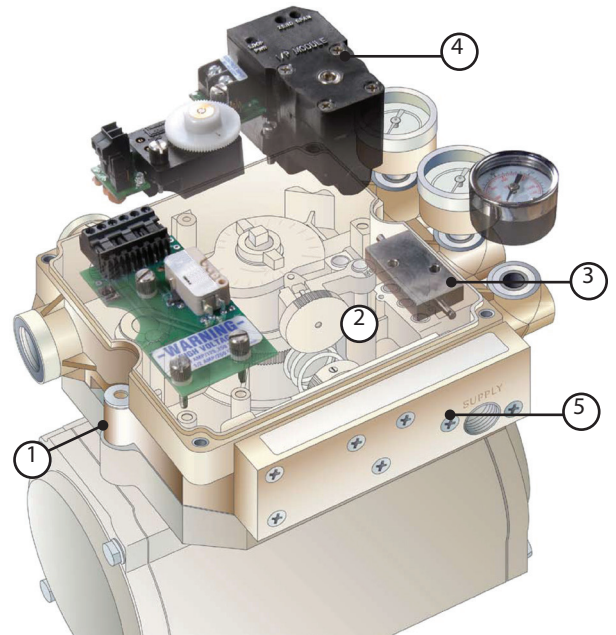
V SERIES DESIGN FEATURES

- ✓ Universal mounting flexibility
- ✓ Truly Modular/Totally field upgradeable
- ✓ Corrosion and Vibration Resistant/Epoxy Encapsulated Components
- ✓ Precise Click-Lock™ Calibration
- ✓ Stainless Steel Fasteners and port reinforcements
- ✓ Standard Flow or Maximum Flow Spool Valves available
- ✓ Mechanical and Proximity Switches available
- ✓ I/P Converter designed to provide flawless automatic compensation for Supply Pressure, Atmospheric Pressure, and Ambient Temperature changes
- ✓ Additional I/P Converters for the following Hazardous Location options:
 - Intrinsically Safe
 - NEMA 7 (applicable to the I/P metal housing only)



MATERIALS OF CONSTRUCTION

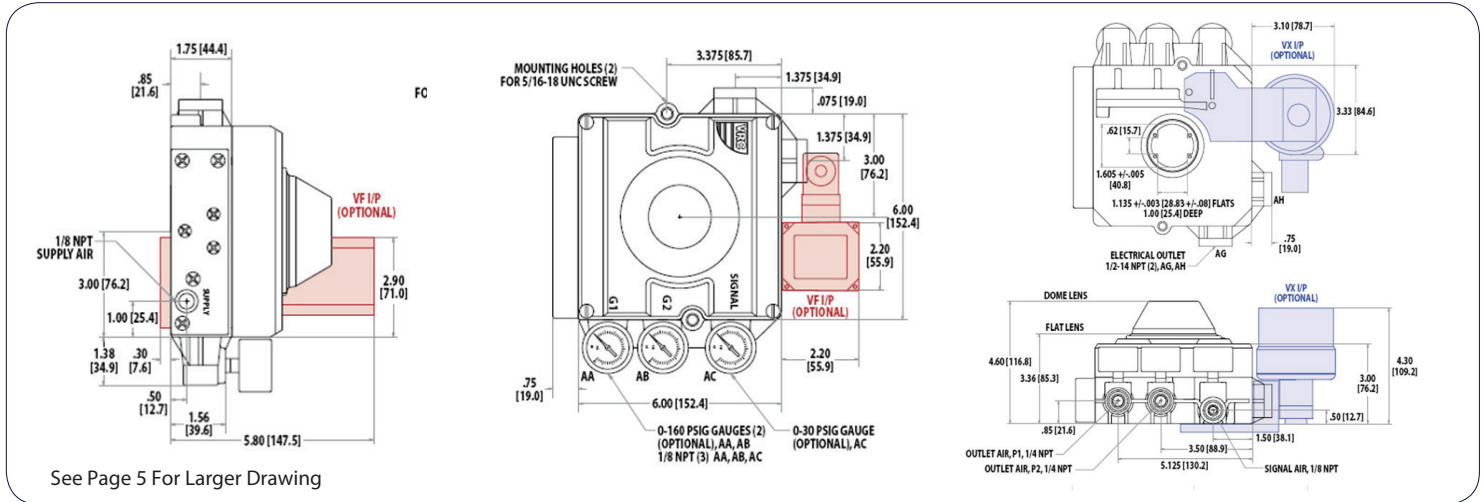
| ITEM | DESCRIPTION | MATERIALS SPECIFICATIONS |
|------|------------------------------|--|
| 1 | Enclosure | PPA Composite 300 Series Stainless Port Rings, Cover and Mounting Bolts |
| 2 | Internals | PPA, PPS and PEEK Composites, 300 Series Stainless Steel, Nickel Plated Brass |
| 3 | Spool Valve | Carpenter 70 Grade Stainless Steel |
| 4 | I/P Converter | PPA Composite, Delrin*, TEFLON Coated Carbon Steel, Nickel Plated Carbon Steel, High Density Polyethylene |
| 5 | Signal Diaphragm/ O-Rings | Buna "N" |



What do you need today?™



DIMENSIONS



PERFORMANCE

| PARAMETER | SPECIFICATION |
|---------------------------|---|
| Resolution | 0.25% Maximum 0.10% Typical |
| Repeatability | 99.75% Minimum 99.90% Typical |
| Hysteresis | 0.50% Maximum 0.25% Typical |
| Linearity | +/- 1.0% Maximum |
| Gain @ 80 PSIG | 250 Single-Acting 500 Double-Acting |
| Air Consumption @ 80 PSIG | 0.25 SCFM Standard Flow Spool Valve 0.45 SCFM Maximum Flow Spool Valve |
| Temperature Range | -40 to 150° F (-40 to 65° C) |

Standard Flat Top 90°
Position Indicator

Optional Dome Top
Position Indicator



MODELS (See Page 4 for Options, How To Order Guide and Hazardous Locations Information)

General Purpose



Fail-Freeze I/P
(Fail in Last
Position)



Hazardous Locations
External I/P



General Purpose +
Hazardous Locations
(Intrinsically Safe
Non-Incendive)



OPTIONS

| LIMIT SWITCH | POSITION TRANSMITTER | CHARACTERIZING CAM | PORT GAUGES | SPOOL VALVE | POSITION INDICATOR | UNIVERSAL MOUNTING KIT |
|---|---|---|---|---|--|---|
|  <ul style="list-style-type: none"> Mechanical (S1 Option): (2) SPDT. UL Approved 10A @ 125/250 VAC 0.5A @ 125 VDC Proximity (S2 Option): (2) SPST. UL Approved 1A @ 140 VAC 1A @ 200 VDC 50 Watts Maximum |  <ul style="list-style-type: none"> Current: 4-20 mA Resistive: 1000 ohm |  <ul style="list-style-type: none"> Linear Square Root Square 0 ~ 60 degrees Equal Percent Custom Tangent 0 ~ 45 ° 0 ~ 35 ° |  <ul style="list-style-type: none"> Brass Full Stainless Stainless Case |  <ul style="list-style-type: none"> Standard Flow Maximum Flow Extreme Service |  <ul style="list-style-type: none"> Flat 90 Dome 90 Flat 180 |  <p>Mounting Kit includes</p> <ul style="list-style-type: none"> Bracket Namur Coupler |

HAZARDOUS LOCATIONS INFORMATION

MODEL VI

- I/P Converter Type 22/06-65 (Model VI)
- Factory Mutual Approved:
Intrinsically Safe, Class I, Division I, Groups A, B, C, D
Non-Incendive, Class I, Division 2, Groups A, B, C, D
- CSA Approved:
Intrinsically Safe, Class I, Division I and 2, Groups A, B, C, D
- CENELEC Approved EEx ia IIC T6
- For Applications in Hazardous Locations Reference Control Documents No. 900842/900843.
Contact SVF for additional information.

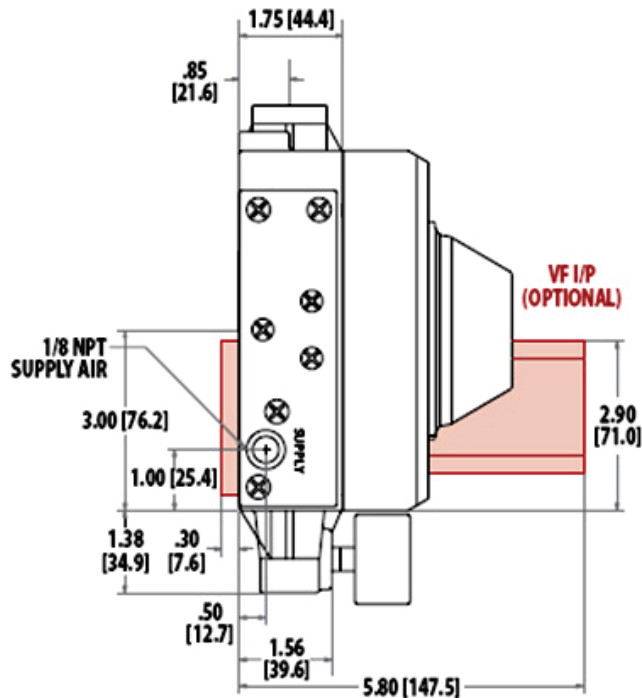
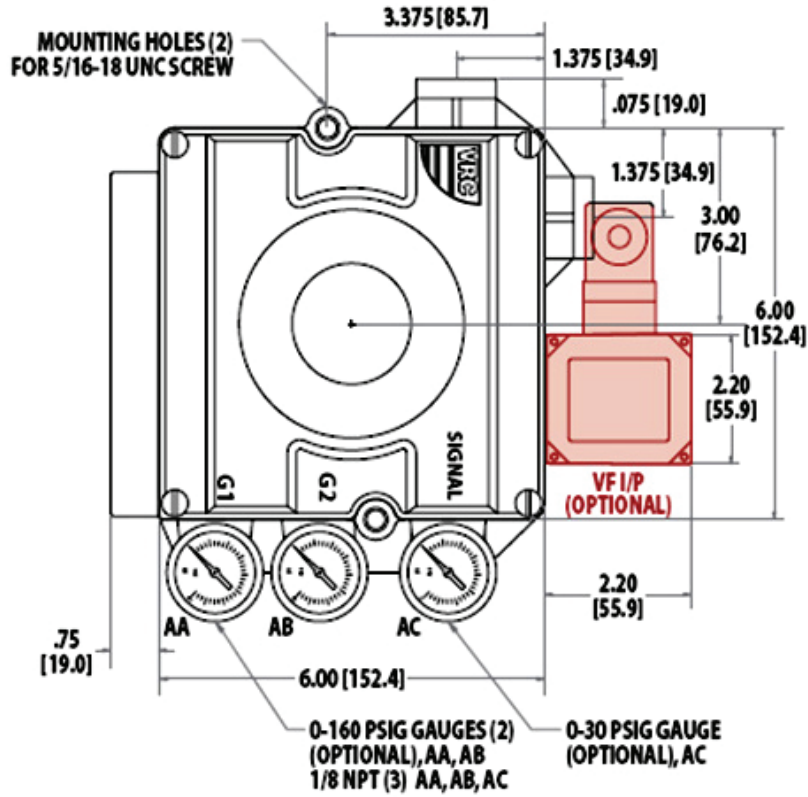
MODEL VI

- For the VX Model, hazardous ratings apply to the I/P metal (NEMA 7) housing only, the Positioner housing is NEMA 4X only.
- Factory Mutual Approved:
Class I & II, Division I, Groups B, C, D, E, F, G
 - CSA Approved:
Class I & II, Division I, Groups B, C, D, E, F, G

HOW TO ORDER SVF "V" SERIES PNEUMATIC & ELECTRO-PNEUMATIC POSITIONERS

| MODEL SERIES | POSITION INDICATOR | CHARACTERIZING CAM | SPOOL VALVE | PORT GAUGES | POSITION TRANSMITTER | LIMIT SWITCH |
|--|---|--------------------|--|------------------------|----------------------|---|
| VP =Pneumatic 3-15 PSI | 4 = Switch Mount | 0 = Linear | 0 = Standard Flow | -G = Brass | -T1 = 4 - 20 mA | -S1= Mechanical (2) SPDT UL Approved 10A @ 125/250 VAC 0.5A @ 125 VDC |
| VE = Electro-Pneumatic 4-20 mA | 5 = Fusion Coating (FLAT LENS) | 1 = Square Root | 1 = Maximum Flow | -Z = Full Stainless | -T2 = 1K ohm | -S2= Proximity (2) SPST UL Approved 1A @ 140 VAC 1A @ 200 VDC 50 Watts Maximum |
| VI = Electro-Pneumatic General Purpose + Hazardous Locations | 6 = Fusion Coating (DOME LENS) | 2 = Square | 2 = Extreme Service (Standard Flow) | -Y = Stainless Case | | |
| VX = External I/P Hazardous Locations | 7 = Flat 90 degree | 3 = 0 ~ 60 ° | 3 = Extreme Service (Maximum Flow) | | | |
| VF =Fail-Freeze I/P | 8 = Flat 180 degree | 4 = Equal Percent | | | | |
| | 9 = Dome 90 degree | 5 = Custom | | | | |
| | | 6 = Tangent | | | | |
| | | 7 = 0 ~ 45 ° | | | | |
| | | 8 = 0 ~ 35 ° | | | | |
| | Order Example: VE700-G-T1-S2 | | | | | |
| | EXAMPLE DESCRIPTION: Electro-Pneumatic Positioner , Flat 90 degree Position Indicator, Linear Cam, Standard Flow Spool Valve, Brass Port Gauges, 4-20 mA Position Transmitter, (2) SPST Proximity Limit Switches. | | | | | |
| VE | 7 | 0 | 0 | -G | -T1 | -S2 |

DIMENSIONS



DIMENSIONS

