

# Series B42D Ball Valve

ANSI Class 300 Flanged, Fire-Safe Ball Valve  
 Sizes 1/2" ~ 6"



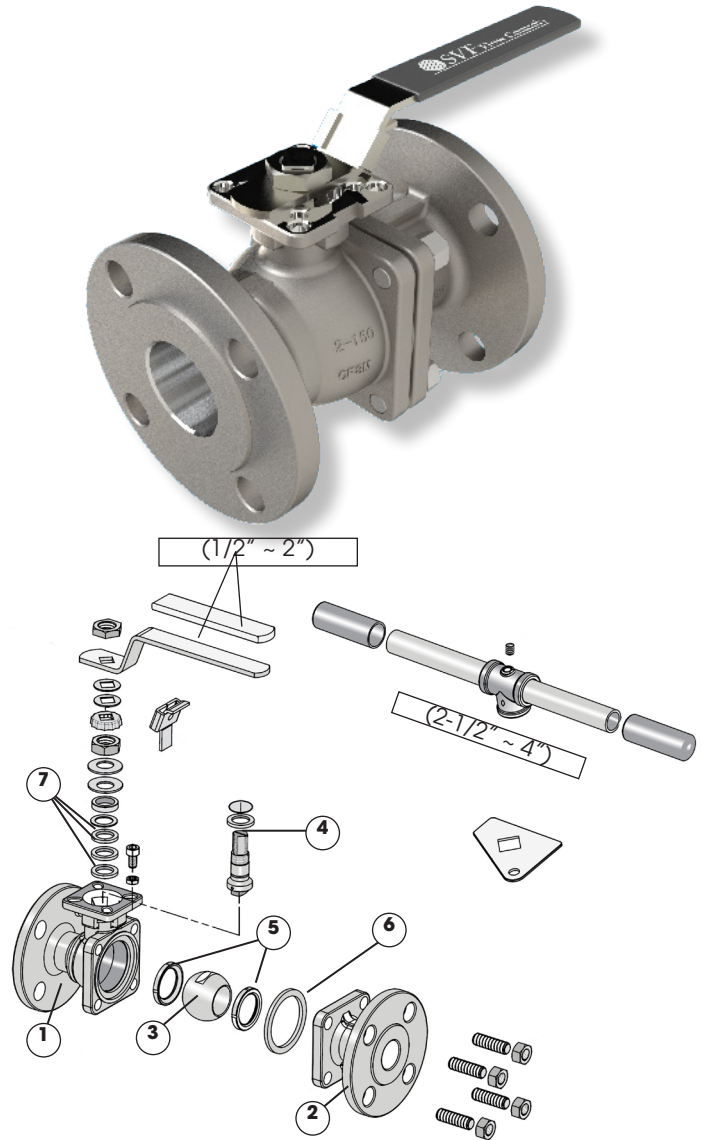
The SVF Series B42D Flanged Ball Valves are high performance, full ported valves certified to API-607 fire-safe standard (with GRAFOIL body seals), API-608 and feature an ISO 5211 mounting pad for easy actuation. The B42D Series is certified API 641 low fugitive emissions with SLADE stem packing.

## SERIES B42D DESIGN FEATURES

- ✓ Fire-Safe certification to API-607 (with GRAFOIL® body seals only)
- ✓ Certified to API-608 to meet the additional design, operation and performance requirements of the Petroleum Refining, Petrochemical Processing and Chemical Processing Industries
- ✓ API-641 Certified stem packing for low fugitive emissions (with SLADE packing)
- ✓ Live-loaded stem packing ensures seal-tight pressure containment even under thermal cycling
- ✓ NACE MR0175 Option
- ✓ ISO 5211 mounting pad for direct mount automation
- ✓ Standard seat material is TFM1600™
- ✓ Blowout proof stem adds safety & reliability
- ✓ Standard Anti-Static stem
- ✓ Latch lock handle fully compatible with OSHA

## MATERIALS OF CONSTRUCTION

ITEM	DESCRIPTION	MATERIALS SPECIFICATIONS
1	Body	316 Stainless Steel (ASTM A351 CF8M) Carbon Steel (ASTM A216 WCB)
2	End Connector	316 Stainless Steel (ASTM A351 CF8M) Carbon Steel (ASTM A216 WCB)
3	Ball	316 Stainless Steel (ASTM A182 F316)
4	Stem	316 STAINLESS STEEL (ASTM A276)
5	Seat	TFM1600™, SupraLon™
6	Body Seal	GRAFOIL® + 316 Stainless Steel, PTFE
7	Stem Seal	GRAFOIL®, PTFE or Slade



## SPECIFICATION STANDARDS OF COMPLIANCE

- Design - ASME B16.34, NACE MR 0175
- Face to Face: ASME B16.10
- End Flange: ASME B16.5
- Wall Thickness: ASME B16.34
- Inspection & Testing: API 598,
- Fire Safe: API 607, ISO 10497
- Fugitive Emissions: API 641



# Series B42D Ball Valve

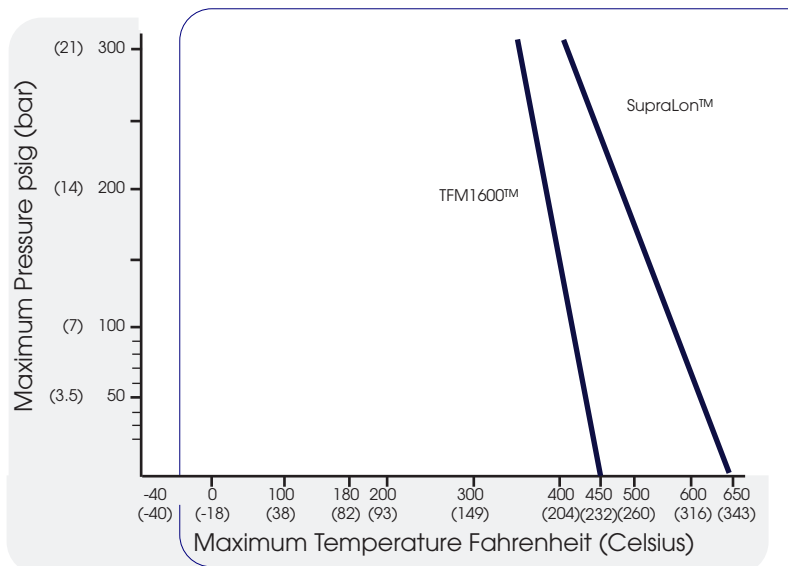
ANSI Class 300 Flanged, Fire-Safe Ball Valve  
 Sizes 1/2" ~ 6"



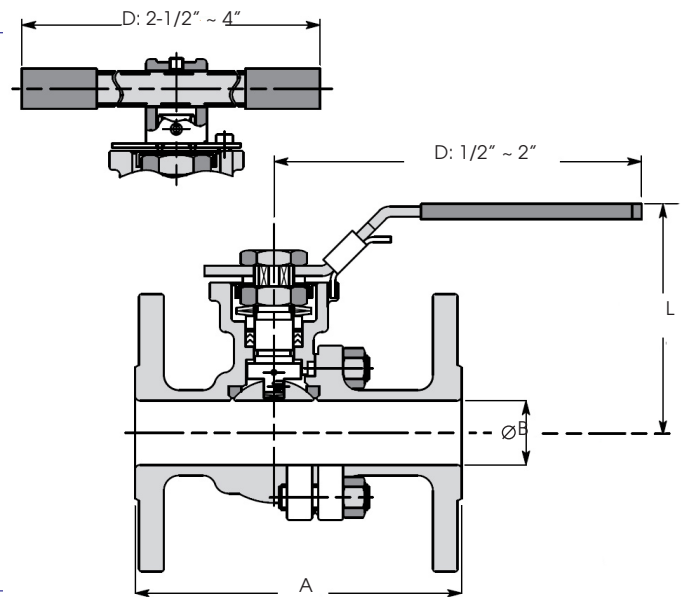
## DIMENSIONS, WEIGHT, CV, TORQUE

Size	A		B		D		L		Weight		Cv	Torque* TFM1600™		Torque* SupraLon™	
	in.	mm	in.	mm	in.	mm	in.	mm	lbs	kg		in-lbf	Nm	in-lbf	Nm
1/2"	5.5	140	0.59	15	4.72	120	3.38	86	4.2	1.91	38	57	7	80	9
3/4"	6.0	152	0.79	20	4.72	120	3.74	95	6.2	2.81	69	88	10	98	11
1"	6.5	165	0.98	25	5.70	145	3.97	101	10	4.54	113	99	11	129	15
1-1/2"	7.5	190	1.50	38	7.48	190	4.92	125	20	9.07	273	203	23	264	30
2"	8.5	216	1.97	50	7.48	190	5.19	132	23	10.4	485	265	30	377	43
2-1/2"	9.5	241	2.55	65	17.7	450	6.41	163	34	15.4	816	424	48	594	67
3"	11.1	282	3.07	76	17.7	450	6.73	171	59	26.8	1185	584	66	988	122
4"	12.0	305	3.94	100	17.7	450	7.83	199	94	42.6	2115	1062	120	1550	175
6"	15.8	403	5.90	150	31.4	800	11.8	300	192	87.1	3900	1416	160	2150	243

## B42D - PRESSURE/TEMPERATURE CHART



\* At full differential pressure for clean fluids



### Class 300

Note: Maximum pressure & temperature is limited to the seat material rating

# Series B42D Ball Valve

ANSI Class 300 Flanged, Fire-Safe Ball Valve  
 Sizes 1/2" ~ 6"



How To Order Guide (Columns 1 thru 11)

1 SERIES	2 BODY	3 ENDS	4 BALL	5 STEM	6 SEAT MATERIAL
B42D	4 = Carbon Steel ASTM A216 WCB  6 = 316 Stainless Steel ASTM A351 CF8M	4 = Carbon Steel ASTM A216 WCB  6 = 316L Stainless Steel ASTM A351 CF8M	6 = 316 Stainless Steel ASTM A351 CF8M	6 = 316 Stainless Steel ASTM A276 316	A = TFM1600™ S = SupraLon

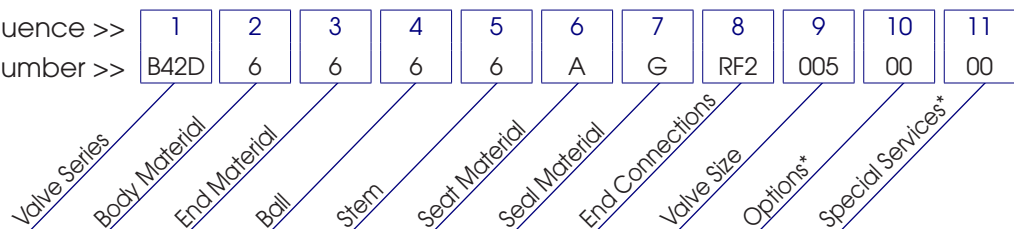
  

7 BODY SEAL	8 END CONNECTIONS	9 VALVE SIZE	10 OPTIONS*	11 SPECIAL SERVICES*
G = Grafoil T = PTFE	RF2 = 300# Flanged Ends (Raised Face)	005 = 1/2"  007 = 3/4"  010 = 1"  015 = 1-1/2"  020 = 2"  030 = 3"  040 = 4"  060 = 6"	00 = None SX = ISO Cast Stem Extension	00 = None XC = Oxygen Cleaned SF = Degreased (Silicone Free) UH = Vent/Relief Hole <sup>1</sup> FE = Fugitive Emissions Packing

Order Example: (B42D6666AGRF20150000) The Part Number will contain 20 digits.

Ordering Code Sequence >>

Sample Part Number >>



<sup>1</sup> Vent Hole is on the Upstream Side

\*Not all Options or Special Services available on all ball valves. Consult SVF for additional information.