

# EXACT-DH™ Digital Positioner



The SVF EXACT-DH Series Electro-pneumatic and Digital Positioners are a microprocessor based “intelligent” instrument that can be mounted to rotary or linear pneumatic actuators for accurate positioner control. This unit is simple to mount, calibrate and with good filtered air and proper maintenance, can provide very accurate and trouble-free service.

## NEXUS-DH DESIGN FEATURES

- ✓ Microprocessor-based valve positioner
- ✓ User friendly, menu driven programming with LCD Display-multilingual
- ✓ Local push button configuration - no handheld device or PC necessary
- ✓ Low air consumption and proven dependable mechanical design
- ✓ Modular design - available with position feedback, micro switches and “Fail Freeze” options - rotary or linear mounting
- ✓ Epoxy Coated Aluminum Enclosure - Nema 4X IP65
- ✓ Unique adaptive control feature offers the ability to update valve/actuator package for maximum control without upsetting the process
- ✓ ATEX-FM-CSA-IEC-Ex approvals available



## MATERIALS OF CONSTRUCTION

ITEM	DESCRIPTION	MATERIALS SPECIFICATIONS
1	Housing	Epoxy Coated Aluminum
2	Mounting Bracket	Stainless Steel

Also available in the approvals below:

EXACT-DH Intrinsically safe

EXACT-DH Explosion Proof

Non-incendive - Enclosure 4X,  
max 65°C

Intrinsically safe - 4X, T5 max 82°C  
Non-incendive - 4X, T4, max 85°C



*What do you need today?™*



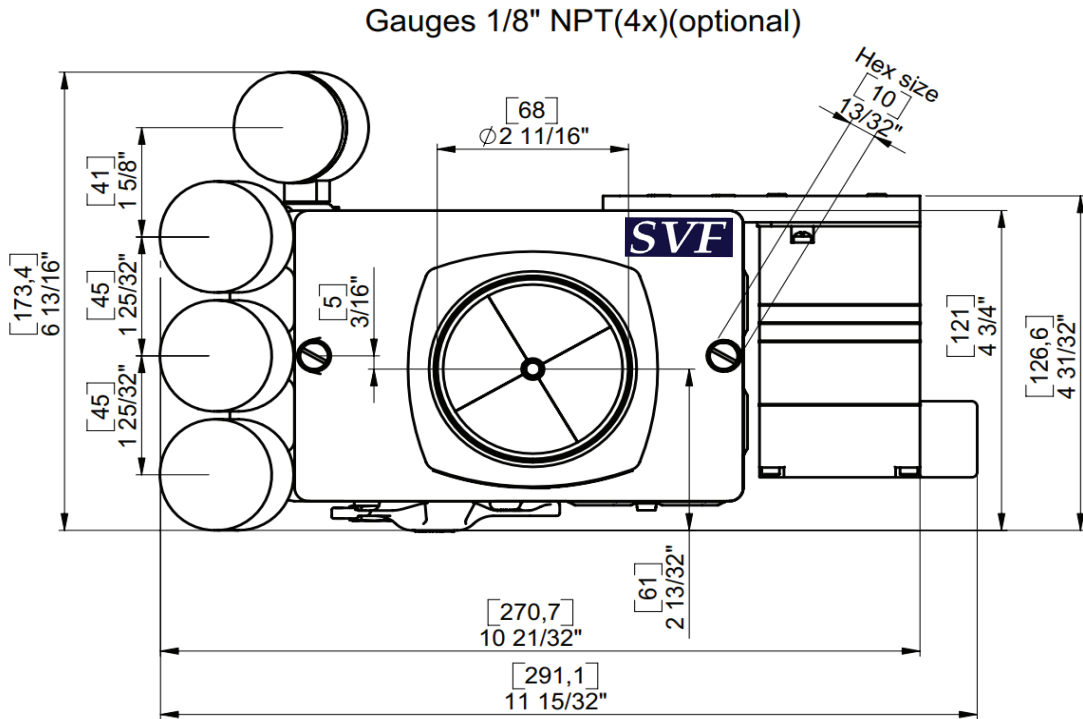
## TECHNICAL SPECIFICATIONS

Input Range:	4-20mA with Hart
Supply Pressure:	Up to 90 PSIG (6 bar)
Characteristic Deviation:	≤0.5%
Deadband:	0.1% adjustable to 10%
Rotation Angle:	25° - 270° degree
Resolution (A/D conversion):	16,000
Sample Rate:	24 msec
Temperature effect:	<0.4% for every 50° F change
Air Delivery @ 90 PSI (6 bar):	6.0 SCFM
Air Consumption @ 90 PSI (6 bar):	≤0.015 SCFM
Temperature Range:	-40° F to 185° F
Air Connections:	1/4" NPT
Cable Entry:	1/2" NPT
Ingress & Corrosion Protection:	Nema 4X
Coating:	Varnish with epoxy resin Aluminum base housing
Weight:	3.8 lbs
Seismic Vibration:	Meets requirements to DIN IEC 68-3-3 Class III for strong and strongest earthquakes
Mechanical Vibration:	≤1% up to 10g and 10Hz to 80Hz
Mounting Orientation:	≤0.5% at 90° change
EMI:	Complies with EMC directive 89/336/EEC as of May 1989

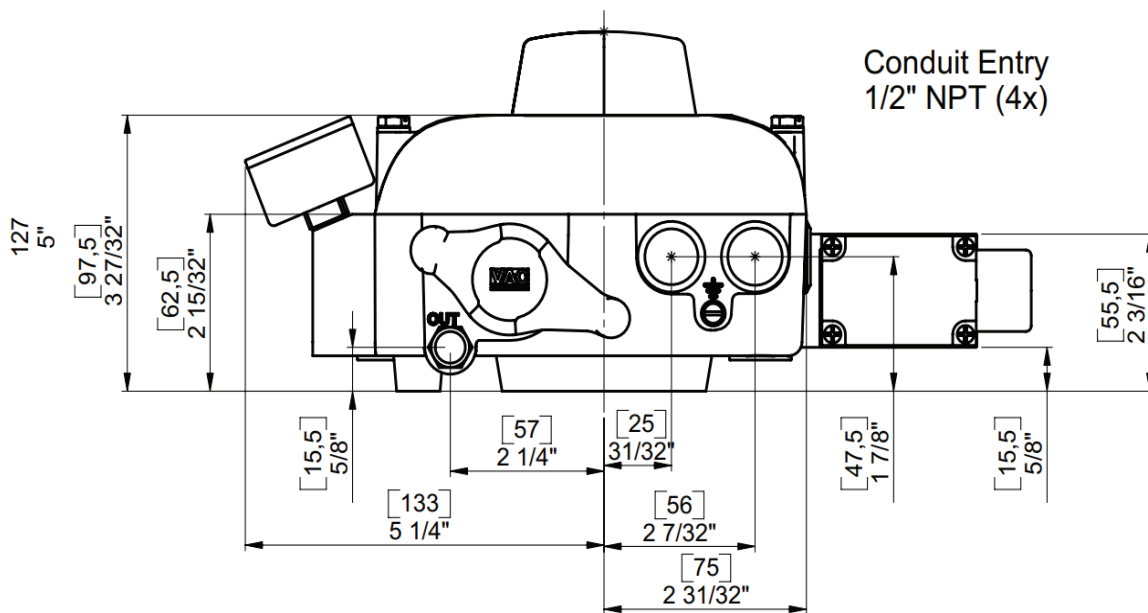
## HOW TO ORDER

Model Series	Action	Communication	Options
DH00 = General Purpose	S = Single	D1 = 4-20mA	00 = None
DHIS = Intrinsically Safe	D = Double	H0 = 4-20mA with HART	GB = Block with Gauges
DHEX = Explosion Proof			S2 = Micro Switches
			T0 = 4-20mA Transmitter
<b>Order Example: DHISSH0GB</b>			

**DIMENSIONS (4-20MA INPUT)**

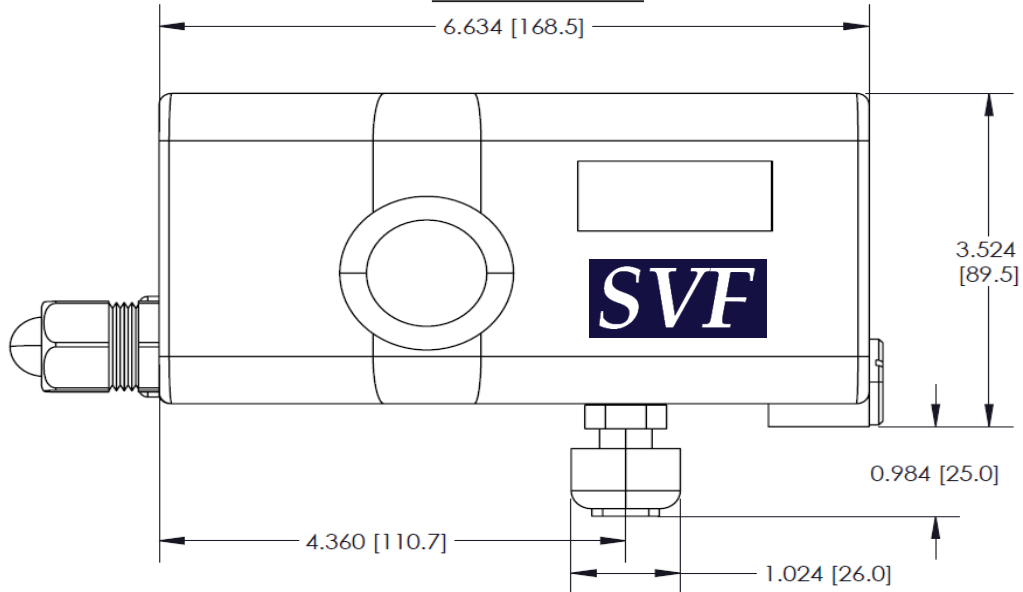


Dome Indicator(optional)

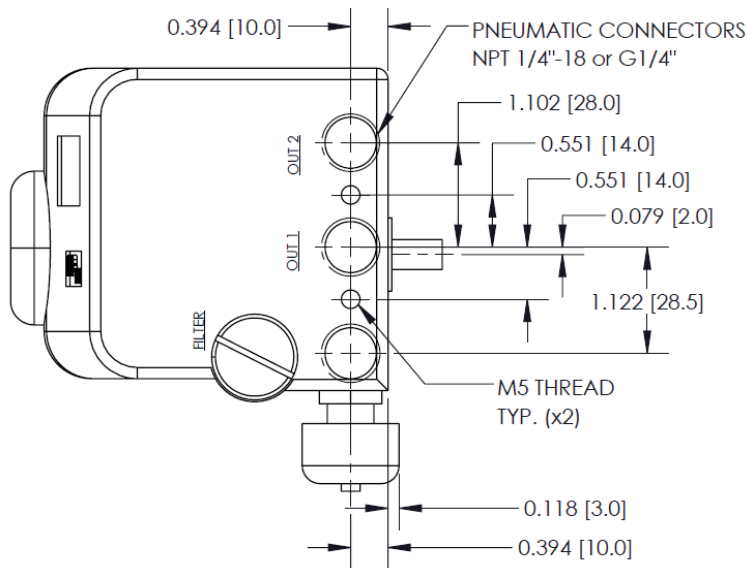


**DIMENSIONS (4-20MA + HART)**

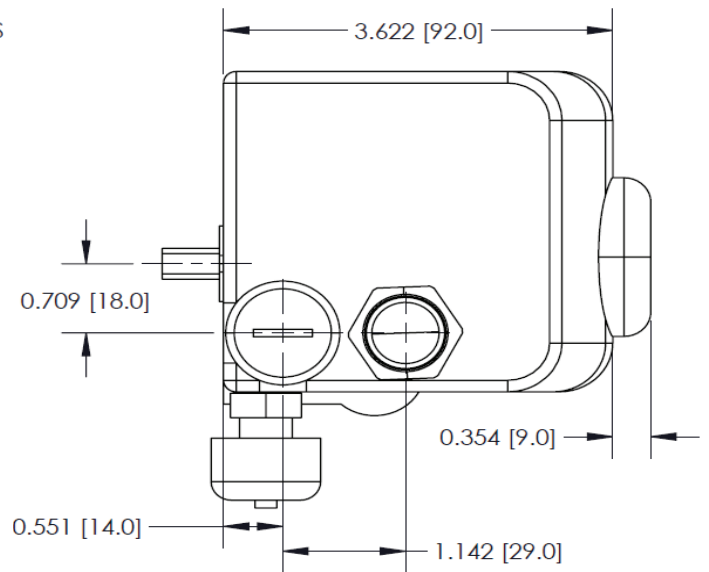
**FRONT SIDE:**



**RIGHT SIDE:**

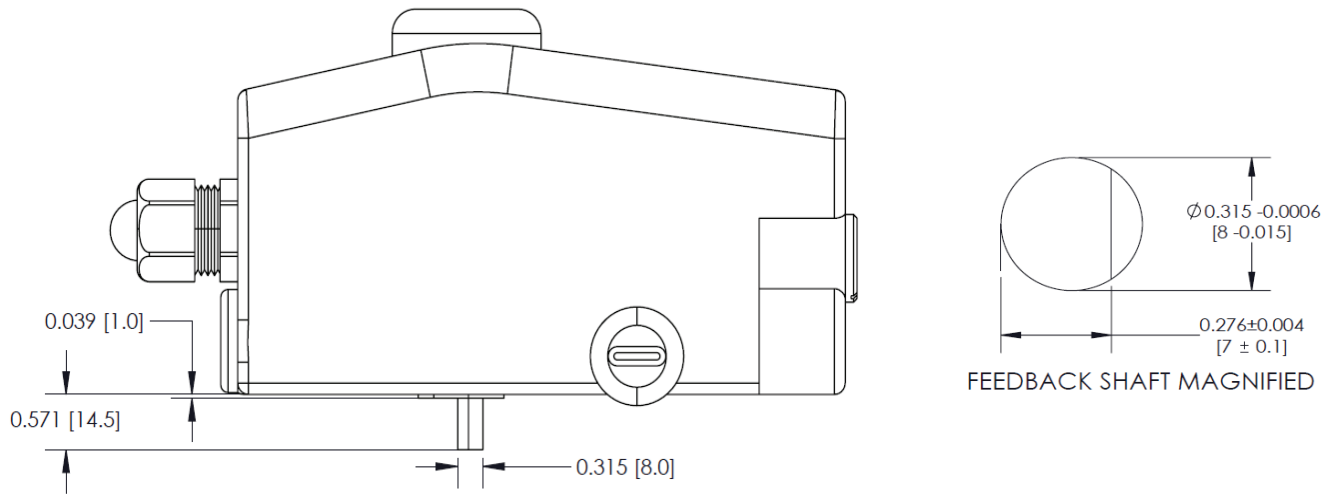


**LEFT SIDE:**



**DIMENSIONS**

**TOP SIDE:**



**BOTTOM SIDE:**

