

Series HBEV Ball Valve

High Pressure, Fire-Safe Ball Valve

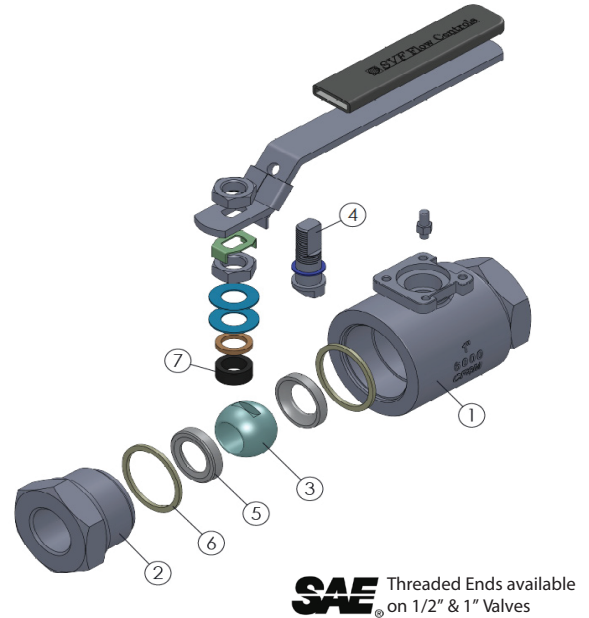
Sizes 1/2" ~ 2"



The SVF Series HBEV high pressure, silicone free, Fire-Safe ball valve is designed to meet applications up to 6000 psi. This high performance valve adds safety and reliability to high pressure systems in a wide variety of industrial applications.

SERIES HBEV DESIGN FEATURES

- ✓ Full Ported flow path in a high performance design for process-quality applications
- ✓ High pressure ball valve up to 6000 psi
- ✓ Live-loaded stem seal ensures seal-tight pressure containment even under thermal cycling
- ✓ Fire-Safe certification to API-607
- ✓ Manufactured without the use of silicone bearing compounds or lubricants
- ✓ ISO 5211 mounting pad for easy actuation
- ✓ Delrin seats standard with NPT ends and PEEK seats standard with Socket Weld ends
- ✓ Standard NACE MR0175
- ✓ Seal welded construction
- ✓ SAE Threaded Ends available (SAE Specification J1926) - Sizes 1/2" to 1"



SAE Threaded Ends available on 1/2" & 1" Valves

MATERIALS OF CONSTRUCTION

ITEM	DESCRIPTION	MATERIALS SPECIFICATIONS
1	Body	316 Stainless Steel (ASTM A351 CF8M)
2	End Connector	316 Stainless Steel (ASTM A351 CF8M)
3	Ball	316 Stainless Steel (ASTM A351- CF8M)
4	Stem	17-4 pH Stainless Steel (ASTM A564 630)
5	Seat	Delrin [®] (Screwed End Valves), PEEK (Socket Weld Valves)
6	Body Seal	PTFE, Grafoil [®] (Socket Weld Valves)

SPECIFICATION STANDARDS OF COMPLIANCE

SVF Series HBEV Ball Valves are available in designs that meet the following Industry Standards:

- ANSI
- SAE
- DIN
- ASME
- NACE
- ISO
- API
- ASTM
- MSS

Contact SVF for specific applications

What do you need today?[™]



Series HBEV Ball Valve

High Pressure, Fire-Safe Ball Valve

Sizes 1/2" ~ 2"

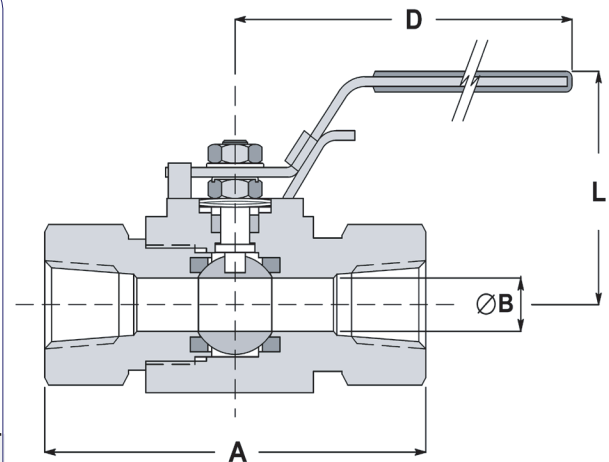
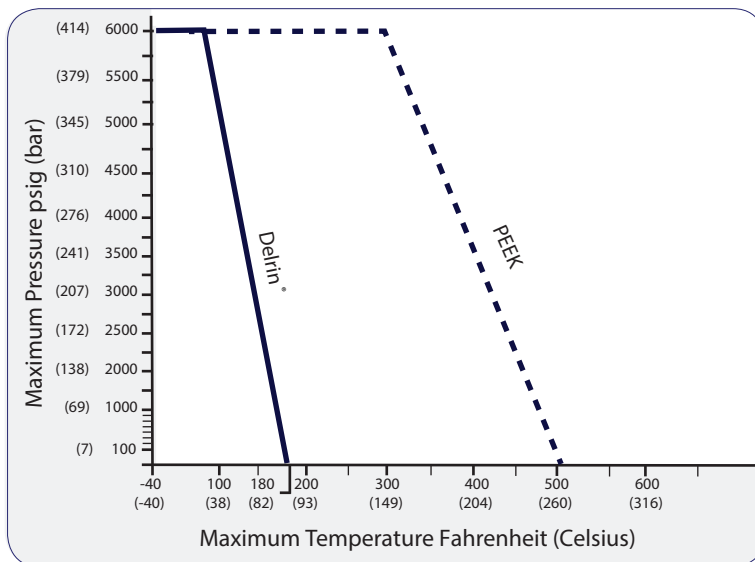


DIMENSIONS, WEIGHT, C_v, TORQUE

Size	A		B		D		L		Weight		C _v	Torque* Delrin		Torque* PEEK	
	in.	mm	in.	mm	in.	mm	in.	mm	lbs	kg		in-lbf	Nm	in-lbf	Nm
1/2"	3.99	101	0.50	12.7	5.00	129	2.2	57	2	0.9	10	150	17	160	18
3/4"	4.25	108	0.75	20.0	6.30	150	2.7	71	4	1.8	32	200	23	220	25
1"	4.50	114	1.00	25.4	8.25	205	3.5	82	5	2.3	57	320	36	335	38
1-1/2"	5.25	133	1.50	38.1	10.2	260	4.5	105	11	5.0	104	575	65	610	69
2"	6.64	169	2.00	50.8	10.2	260	4.8	114	17	7.7	240	1000	113	1150	130

* At full differential pressure for clean fluids

HBEV - PRESSURE/TEMPERATURE CHART



Class 2500

Note: Maximum pressure & temperature is limited to the seat material rating

Series HBEV Ball Valve

High Pressure, Fire-Safe Ball Valve

Sizes 1/2" ~ 2"



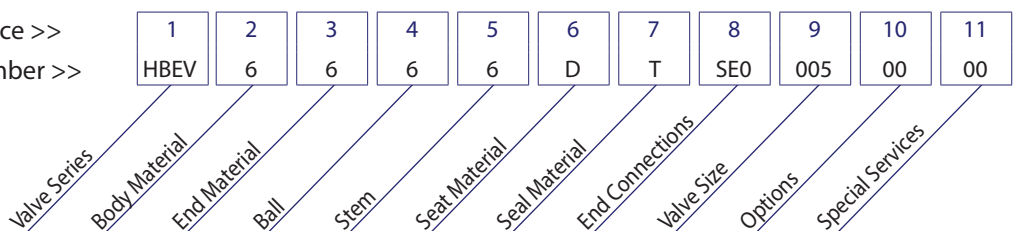
How To Order Guide (Columns 1 thru 11)

1	2	3	4	5	6
SERIES	BODY	ENDS	BALL	STEM	SEAT MATERIAL
HBEV	6 = 316 Stainless Steel ASTM A351 CF8M	6 = 316 Stainless Steel ASTM A351 CF8M	6 = 316 Stainless Steel ASTM A351 CF8M	M = 17-4pH Stainless Steel ASTM A564 630	D = Delrin (Screwed Ends) K = PEEK (Socket Weld Ends)
7	8	9	10	11	
BODY SEAL	END CONNECTIONS	VALVE SIZE	OPTIONS	SPECIAL SERVICES	
T = PTFE G = Grafoil	SE0 = Threaded Ends (FNPT) SW0 = Socket Weld Ends SAE = Threaded Ends per SAE Specification J1926 (Sizes 1/2" to 1")	005 = 1/2" 007 = 3/4" 010 = 1" 015 = 1-1/2" 020 = 2"	00 = None	00 = None	

Order Example: (HBEV6666DTSE00050000) The Part Number will contain 20 digits.

Ordering Code Sequence >>

Sample Part Number >>



Manual valves are supplied with lockable lever handles.

Anti-Static Device is part of the standard assembly of these Valves.