

# Series SB9C Ball Valve

Three-Piece *CleanTECH™* Sanitary Ball Valve  
Sizes 1/2" ~ 4"



The SVF Series SB9C Sanitary Ball Valve is the newest member to our *CleanTECH™* family of high purity products. The SB9C is an ideal, competitively priced solution for manual and automated ball valve requirements in semiconductor, food & beverage, dairy, flavorings, cosmetic and fragrance applications.

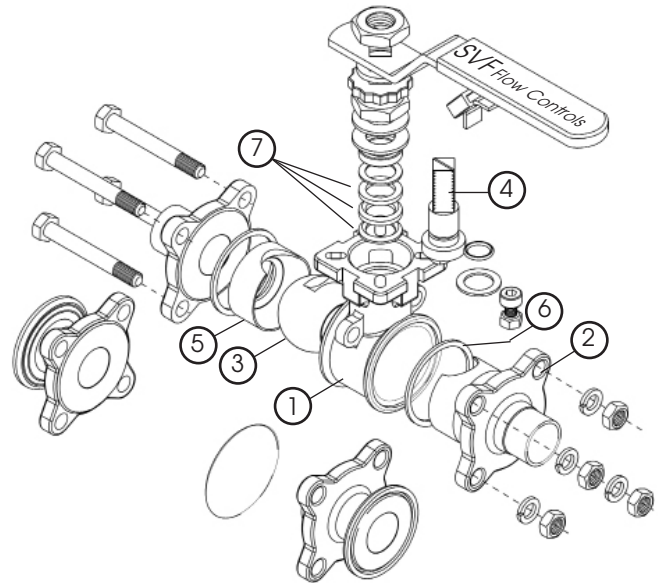
## SERIES SB9C DESIGN FEATURES

- ✓ Three piece investment cast stainless steel
- ✓ "Tube-ID" flow path for drainability
- ✓ Standard interior finish is 15 Ra or better
- ✓ Three-piece "swing out" design offers easy access for in-line maintenance
- ✓ Built-In ISO 5211 mounting pad for easy direct mount actuation
- ✓ Silicone Free
- ✓ Blow-out proof stem adds safety and reliability
- ✓ All materials comply with ASTM material specifications, FDA, USDA and 3A
- ✓ Live-loaded stem packing ensures seal-tight pressure containment even under thermal cycling
- ✓ End connections include Extended Tube O.D. (ETO ends with Boss for Purge Ports) and Tri-Clamp



## MATERIALS OF CONSTRUCTION

ITEM	DESCRIPTION	MATERIALS SPECIFICATIONS
1	Body	316 Stainless Steel (ASTM A351 CF8M)
2	End Connector	316L Stainless Steel (ASTM A351 CF3M)
3	Ball	316 Stainless Steel (ASTM A351 CF8M)
4	Stem	316 Stainless Steel (A276 Gr 316)
5	Seat	TFM1600™
6	Body Seal	PTFE
7	Stem Seal	TFM1600™



SVF Series SB9C Ball Valve shown with cavity filled seats

The Series SB9C Ball Valve is available with additional options.



# Series SB9C Ball Valve

Three-Piece *CleanTECH™* Sanitary Ball Valve  
 Sizes 1/2" ~ 4"

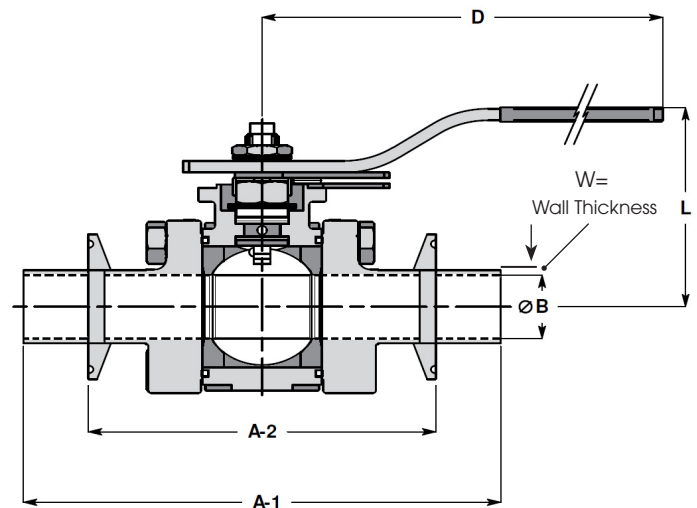
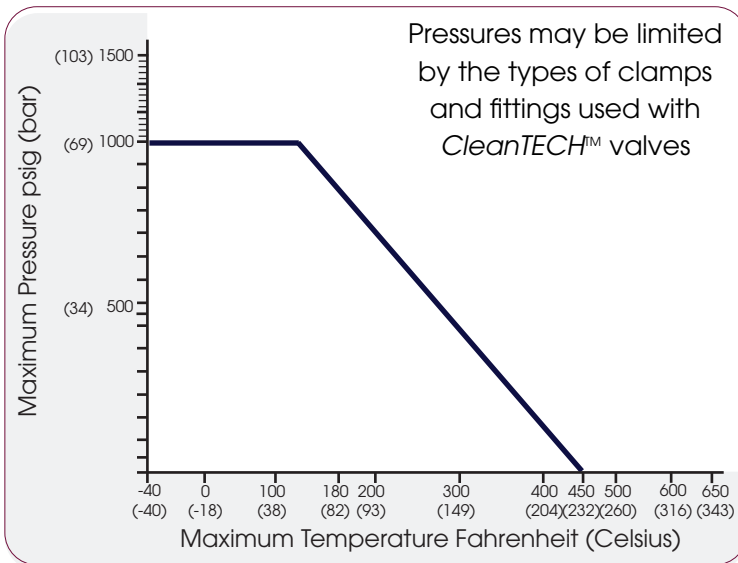


## DIMENSIONS, WEIGHT, CV, TORQUE

Size	A1		A2		B		D		L		W		Weight		Cv	Torque*	
	in.	mm	in.	mm	in.	mm	in.	mm	in.	mm	in.	mm	lbs	kg		in-lbf	Nm
1/2"	5.31	135	3.50	89	0.37	10	4.41	112	2.87	73	0.065	1.7	1	0.7	13	88	10
3/4"	5.59	142	3.98	101	0.62	16	4.41	112	3.19	81	0.065	1.7	2	0.9	18	132	15
1"	6.02	153	4.49	114	0.87	22	5.35	136	3.58	91	0.065	1.7	3	1.5	48	265	30
1-1/2"	7.05	179	5.51	140	1.37	35	7.80	198	4.52	115	0.065	1.7	5	2.2	120	398	45
2"	7.76	197	6.14	156	1.87	48	7.80	198	4.88	124	0.065	1.7	7	3.3	190	531	60
2-1/2"	8.90	226	7.76	197	2.37	60	10.51	267	6.10	155	0.065	1.7	18	8.4	450	663	75
3"	9.49	241	9.02	229	2.87	73	10.51	267	6.50	165	0.065	4.7	20	9.2	600	690	78
4"	10.94	278	9.57	243	3.84	98	12.68	322	8.54	217	0.083	2.1	30	13.5	1100	1354	153

## SB9C - PRESSURE/TEMPERATURE CHART

\* At full differential pressure for clean fluids



**Class 300**

# Series SB9C Ball Valve

Three-Piece *CleanTECH™* Sanitary Ball Valve  
 Sizes 1/2" ~ 4"



How To Order Guide (Columns 1 thru 11)

1	2	3	4	5	6
SERIES	BODY	ENDS	BALL	STEM	SEAT MATERIAL
SB9C	6 = 316 Stainless Steel ASTM A351 CF8M	6 = 316L Stainless Steel ASTM A351 CF3M	6 = 316 Stainless Steel ASTM A351 CF8M	6 = 316 Stainless Steel A276 Gr 316	A = TFM1600™ Q = TFM1600™ Cavity Filled

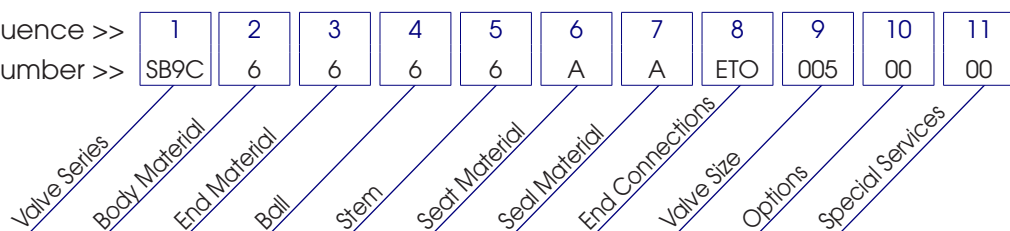
  

7	8	9	10	11
BODY SEAL	END CONNECTIONS	VALVE SIZE	OPTIONS*	SPECIAL SERVICES*
T = PTFE	ETO = Extended Tube-OD Ends  TR0 = Triclamp	005 = 1/2"  007 = 3/4"  010 = 1"  015 = 1-1/2"  020 = 2"  025 = 2-1/2"  030 = 3"  040 = 4"	00 = None	00 = None XC = Oxygen Cleaned EP = Electropolished

Order Example: (SB906666ATETO0050000) The Part Number will contain 20 digits.

Ordering Code Sequence >>

Sample Part Number >>



\*Not all Options or Special Services available on all ball valves. Consult SVF for additional information.