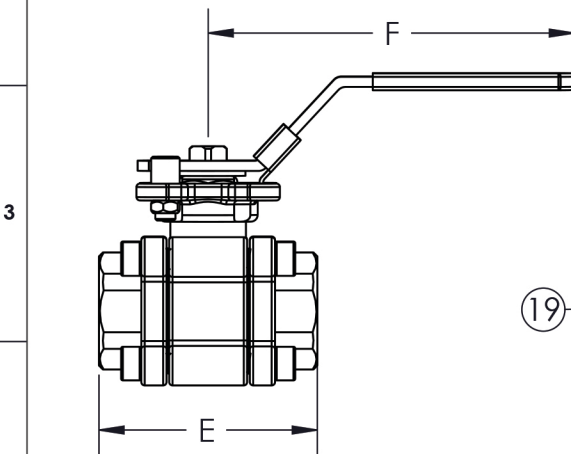
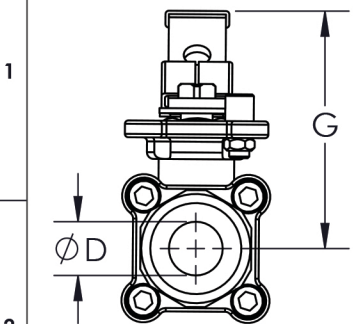
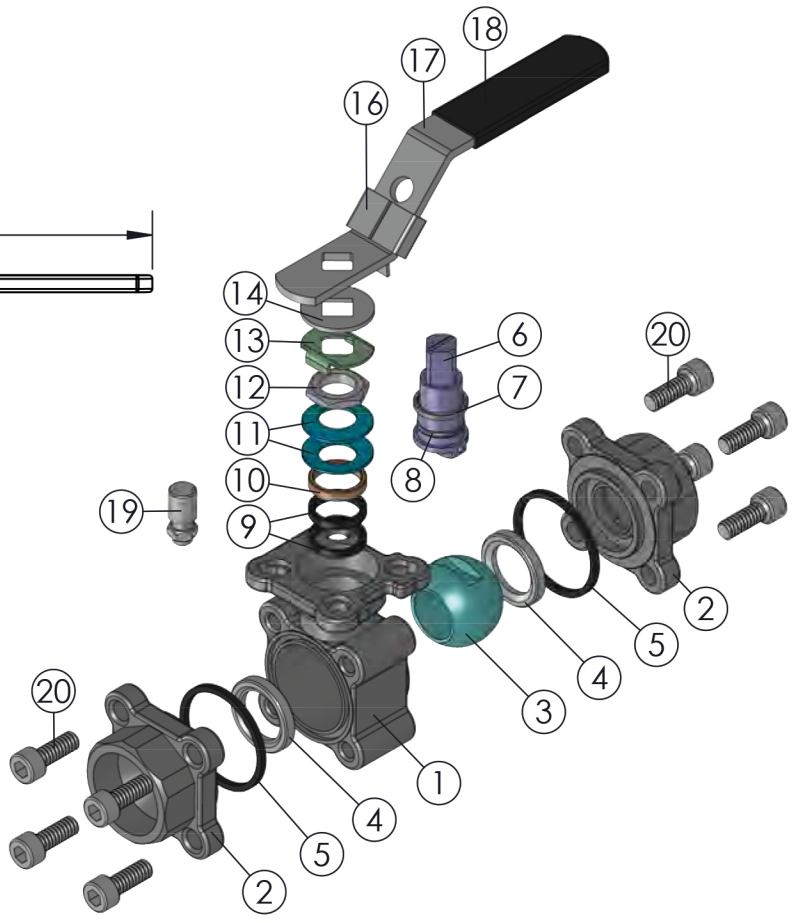
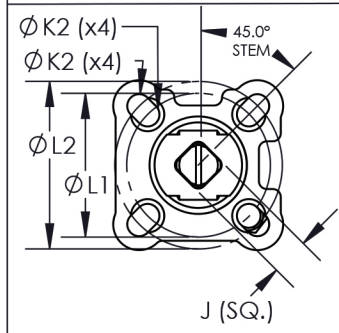
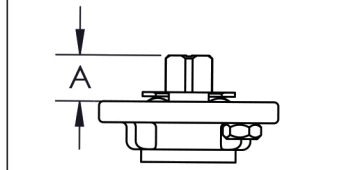


* AT FULL DIFFERENTIAL PRESSURE FOR CLEAN FLUIDS WITH TFM1600 SEATS

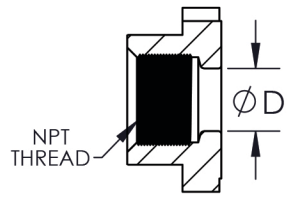
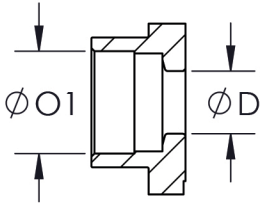
SIZE	A	øD	E	F	G	J	øK1	øK2	øL1	øL2	øO1	FNPT THREAD	ISO 5211	WEIGHT (lbs)	Cv	TORQUE* (in-lbf)	BODY BOLT SIZE
1/2"	0.43 (11)	0.51 (13)	2.36 (60)	4.61 (117)	2.68 (68)	0.35 (9)	-	0.24 (6)	-	1.42 (36)	0.87 (22)	1/2"-14NPT	F03	1	8	37	M6-1.0 X 16
3/4"	0.43 (11)	0.63 (16)	2.56 (65)	4.61 (117)	2.83 (72)	0.35 (9)	0.24 (6)	0.24 (6)	1.42 (36)	1.65 (42)	1.06 (27)	3/4"-14NPT	F03-F04	1	11	67	M6-1.0 X 16
1"	0.55 (14)	0.79 (20)	2.95 (75)	5.00 (127)	3.11 (79)	0.43 (11)	0.24 (6)	0.24 (6)	1.42 (36)	1.65 (42)	1.34 (34)	1"-11.5NPT	F03-F04	2	21	104	M8-1.25 X 20
1-1/2"	0.47 (12)	1.26 (32)	3.94 (100)	6.69 (170)	3.46 (88)	0.43 (11)	0.24 (6)	0.28 (7)	1.65 (42)	1.97 (50)	1.97 (50)	1-1/2"-11.5NPT	F04-F05	5	57	164	M10-1.5 X 25
2"	0.63 (16)	1.50 (38)	4.33 (110)	7.17 (182)	4.13 (105)	0.55 (14)	0.28 (7)	0.35 (9)	1.97 (50)	2.76 (70)	2.44 (62)	2"-11.5NPT	F05-F07	8	80	213	M10-1.5 X 30



TOPWORKS



END CONFIGURATIONS:



PRODUCT INFORMATION:

1. END CONNECTIONS AVAILABLE IN: SCREWED (FNPT), SOCKET WELD
2. SERVICES INCLUDE: OXYGEN CLEANING, DEGREASING, VENT/RELIEF HOLE
3. BALL IS VENTED ON THE STEM SLOT AREA
4. ANTI-STATIC DEVICE
5. STANDARD LOCKING HANDLE
6. ENCAPSULATED BODY SEALS
7. BLOW OUT PROOF STEM
8. ALL STAINLESS STEEL PASSIVATED
9. COMPLETE DIRECT MOUNT VALVE AUTOMATION

APPLICABLE STANDARDS:

1. ASME B16.34: DESIGN
2. API 598: INSPECTION AND TESTING
3. ISO 5211: MOUNTING
4. ANSI B1.20.1: NPT
5. ANSI B16.11: FORGED STEEL FITTINGS, SOCKET-WELDING
7. USP CLASS VI: CONFIRMATION OF COMPLIANCE (TFM1600/PTFE MATERIAL)
8. ANSI CLASS 600 RATING APPLIES TO 1/2" - 2" R9 VALVES WITH TFM1600 SEATS

ITEM NO.	DESCRIPTION	MATERIALS	QTY.
1	BODY	A351-CF8M A216-WCB	1
2	END	A351-CF3M A216-WCB	2
3	BALL	A351-CF8M	1
4	SEAT	TFM1600 DELRIN PEEK	2
5	BODY SEAL	PTFE BUNA GRAFOIL	2
6	STEM	AISI-316	1
7	STEM THRUST WASHER	TF4215	1
8	O-RING	VITON	1
9	STEM SEAL	TF4215	2
10	GLAND FOLLOWER	304 STAINLESS STEEL	1
11	BELLEVILLE WASHER	301 STAINLESS STEEL	2
12	JAM NUT	304 STAINLESS STEEL	1
13	LOCK TAB	304 STAINLESS STEEL	1
14	SPACER	304 STAINLESS STEEL	1
15	HANDLE NUT	304 STAINLESS STEEL	1
16	LOCKING DEVICE	316 STAINLESS STEEL	1
17	LEVER HANDLE	304 STAINLESS STEEL	1
18	HANDLE SLEEVE	PVC	1
19	STOP PIN	304 STAINLESS STEEL	1
20	BODY BOLT	304 STAINLESS STEEL	8

DRAWN BY C.L.	DATE 11/20/2017
CHECKED BY E.P.	DATE 01/08/2019
APPROVED BY J.S. <small>(FOR REV ONLY FIRST APPROVED)</small>	DATE 01/08/2019

OSVF FLOW CONTROLS

DESCRIPTION:
1/2" - 2" R9 3-PIECE BALL VALVE, STANDARD PORT

UNITS: INCH (MILLIMETERS) DATE: 01/08/2019 REV: C