

# Series 41C Ball Valve

ANSI Class 150 Flanged, Fire-Safe Ball Valve

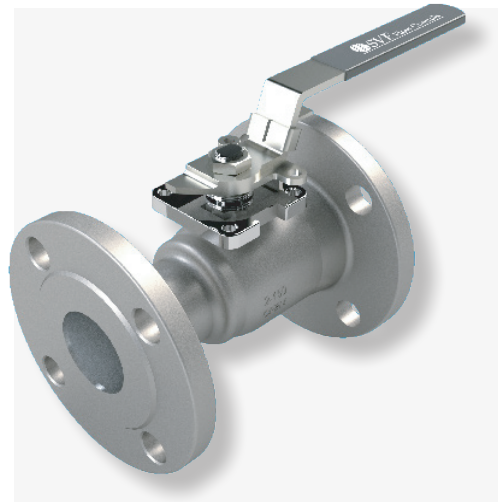
Sizes 1-1/2" ~ 6"



The SVF Series 41C Flanged Ball Valves are high performance, standard port valves certified to API-607 fire safe standard (with GRAFOIL<sup>®</sup> body seals only), API-608 and features an ISO 5211 mounting pad. An OSHA compatible latch-lock handle comes standard, and a variety of seats and seals are available for a wide range of industrial applications.

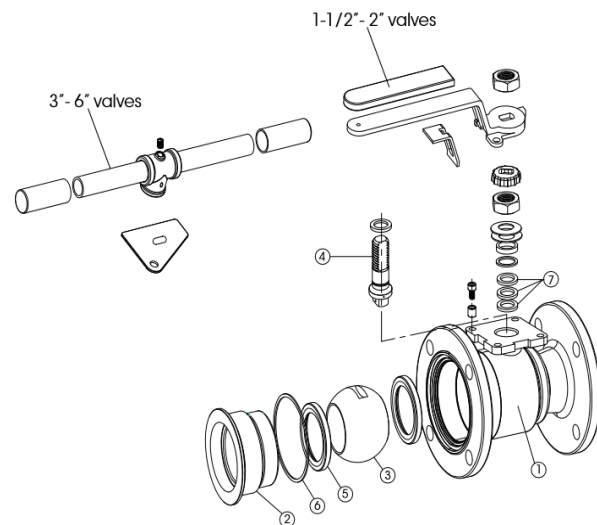
## SERIES 41C DESIGN FEATURES

- ✓ Fire-Safe certification to API-607 (with GRAFOIL<sup>®</sup> body seals only)
- ✓ Standard NACE MR 0175
- ✓ Live-loaded stem packing ensures seal-tight pressure containment even under thermal cycling
- ✓ ISO 5211 mounting pad
- ✓ Standard seat material is TFM1600<sup>™</sup>
- ✓ Blowout proof stem adds safety & reliability
- ✓ Standard Anti-Static stem
- ✓ Latch lock handle fully compatible with OSHA
- ✓ ISO 15848-1 Certified for Emissions



## MATERIALS OF CONSTRUCTION

ITEM	DESCRIPTION	MATERIALS SPECIFICATIONS
1	Body	316 Stainless Steel (ASTM A351 CF8M) Carbon Steel (ASTM A216 WCB)
2	End Connector	316L Stainless Steel (ASTM A351 CF8M) Carbon Steel (ASTM A216 WCB)
3	Ball	316 Stainless Steel (ASTM A351 CF8M)
4	Stem	316 Stainless Steel (ASTM A276)
5	Seat	TFM1600 <sup>™</sup> or SupraLon <sup>™</sup>
6	Body Seal	GRAFOIL <sup>®</sup> + 316 Stainless Steel or PTFE
7	Stem Seal	GRAFOIL <sup>®</sup>



## SPECIFICATION STANDARDS OF COMPLIANCE

- Design - ASME B16.34, NACE MR 0175
- Face to Face: ASME B16.10
- End Flange: ASME B16.5
- Wall Thickness: ASME B16.34
- Inspection & Testing: API 598, and optional API 6D
- Fire Safe: API 607, ISO 10497

*What do you need today?*<sup>™</sup>



# Series 41C Ball Valve

ANSI Class 150 Flanged, Fire-Safe Ball Valve

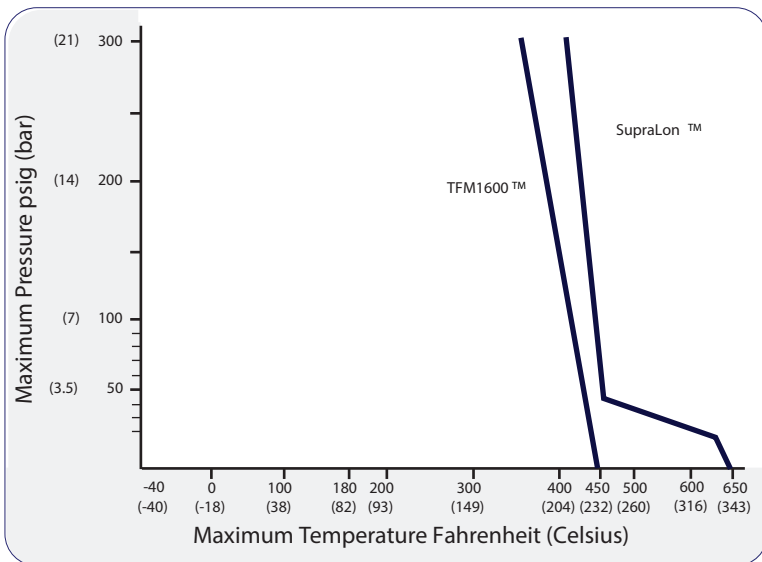
Sizes 1-1/2" ~ 6"



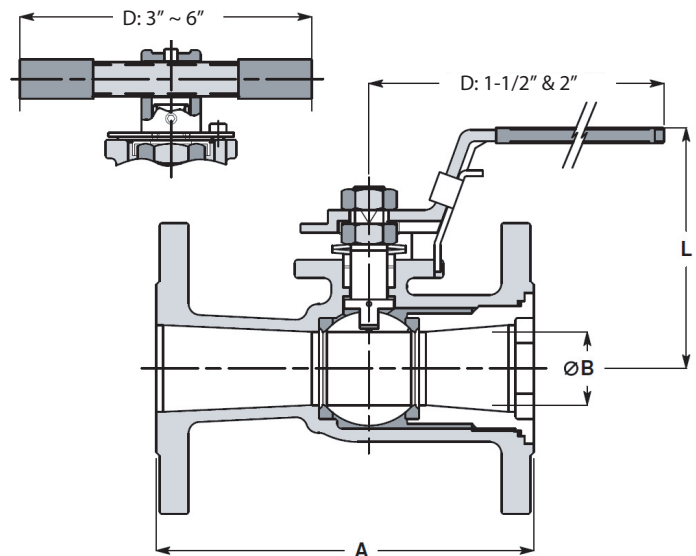
## DIMENSIONS, WEIGHT, C<sub>v</sub>, TORQUE

Size	A		B		D		L		Weight		C <sub>v</sub>	Torque* TFM1600™		Torque* SupraLon™	
	in.	mm	in.	mm	in.	mm	in.	mm	lbs	kg		in-lbf	Nm	in-lbf	Nm
1-1/2"	6.50	165	1.26	32	7.87	200	4.13	105	10	4.6	130	208	24	254	29
2"	7.00	178	1.50	38	7.87	200	4.49	114	15	6.8	200	299	34	368	42
3"	8.00	203	2.37	60	11.81	300	5.59	142	31	14.2	450	598	68	728	82
4"	9.00	229	2.99	76	15.75	400	7.66	195	48	22.0	600	988	112	1209	137
6"	10.50	267	3.94	100	15.75	400	9.50	241	100	45	1100	1107	125	1416	160

## 41C - PRESSURE/TEMPERATURE CHART



\* At full differential pressure for clean fluids



Class 150

Note: Maximum pressure & temperature is limited to the seat material rating

# Series 41C Ball Valve

ANSI Class 150 Flanged, Fire-Safe Ball Valve

Sizes 1-1/2" ~ 6"



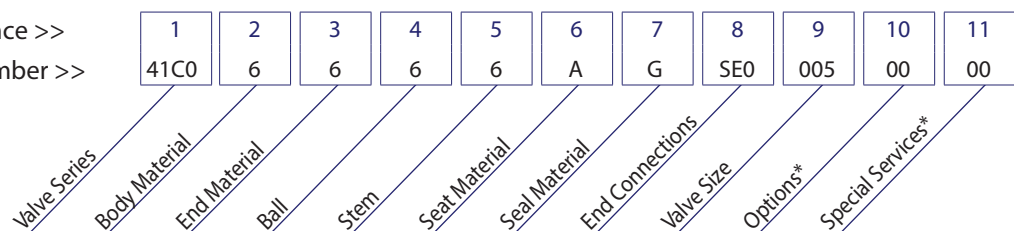
How To Order Guide (Columns 1 thru 11)

1 SERIES	2 BODY	3 ENDS	4 BALL	5 STEM	6 SEAT MATERIAL	7 BODY SEAL	8 END CONNECTIONS	9 VALVE SIZE	10 OPTIONS*	11 SPECIAL SERVICES*
41C0	4 = Carbon Steel ASTM A216 WCB 6 = 316 Stainless Steel ASTM A351 CF8M	4 = Carbon Steel ASTM A216 WCB 6 = 316L Stainless Steel ASTM A351 CF8M	6 = 316 Stainless Steel ASTM A351 CF8M	6 = 316 Stainless Steel ASTM A276	A = TFM1600™ S = SupraLon™	T = PTFE G = Grafoil	RF1 = 150# Flanged Ends (Raised Face)	015 = 1-1/2" 020 = 2" 030 = 3" 040 = 4" 060 = 6"	00 = None SX = ISO Cast Stem Extension	00 = None XC = Oxygen Cleaned SF = Degreased (Silicone Free) UH = Vent/Relief Hole <sup>1</sup>

Order Example: (41C06666AGRF10150000) The Part Number will contain 20 digits.

Ordering Code Sequence >>

Sample Part Number >>



<sup>1</sup> Vent Hole is on the Upstream Side

\*Not all Options or Special Services available on all ball valves. Consult SVF for additional information.