

Series 20SS Ball Valve

Two-Piece Ball Valve, Full Port
Sizes 1/4" ~ 3"



The SVF Series 20SS full port ball valves are designed for general purpose performance in a wide variety of utility applications. The 20SS is an economical, manually operated valve that meets industry requirements for performance and dependability.

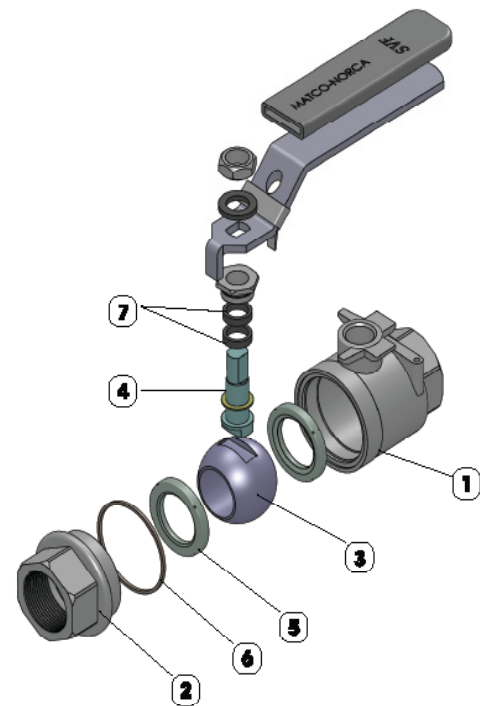
SERIES 20SS DESIGN FEATURES

- ✓ Designed & built for economical performance
- ✓ Pressure rated for 1000 WOG
- ✓ Full Port flow path for maximum flow
- ✓ 316 Stainless Steel body, ball and stem
- ✓ Threaded End Connections
- ✓ Vinyl grip handle
- ✓ Blowout proof stem adds safety & reliability
- ✓ Lockable in the "Open" or "Closed" position
- ✓ Oval handles available - Sizes 1/4" to 2"



MATERIALS OF CONSTRUCTION

ITEM	DESCRIPTION	MATERIALS SPECIFICATIONS
1	Body	316 Stainless Steel (ASTM A351-CF8M)
2	End Connector	316 Stainless Steel (ASTM A351-CF8M)
3	Ball	316 Stainless Steel (ASTM A351-CF8M)
4	Stem	316 Stainless Steel (ASTM A276-316)
5	Seat	RTFE
6	Body Seal	RTFE
7	Stem Seal	RTFE
		Black Handle Sleeve (SS430 Handle) Yellow Handle Sleeve (SS304 Handle)



What do you need today?™



Series 20SS Ball Valve

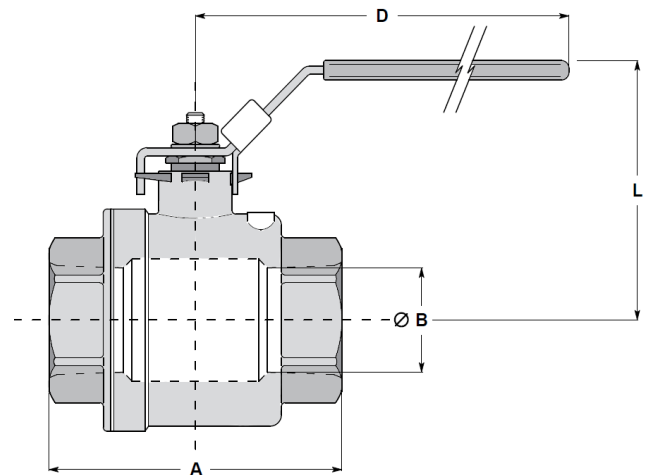
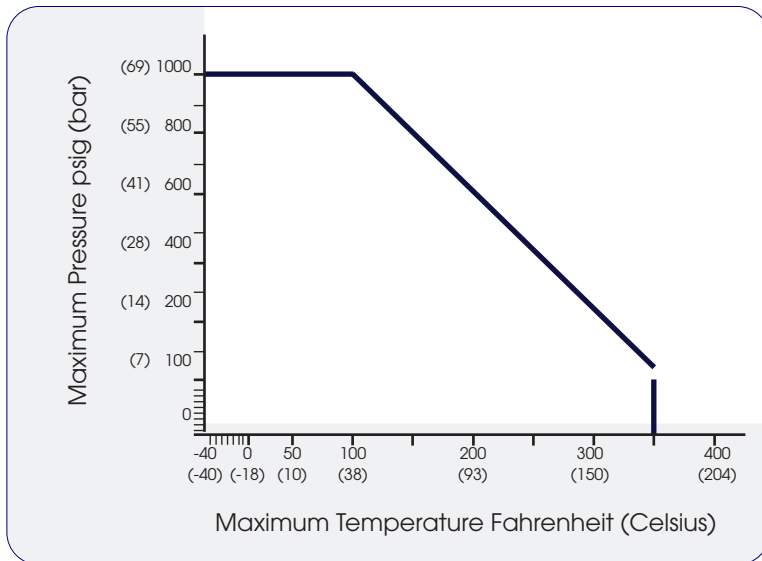
Two-Piece Ball Valve, Full Port
 Sizes 1/4" ~ 3"



DIMENSIONS, WEIGHT, CV

Size	A		B		D		L		Weight		Cv
	in.	mm	in.	mm	in.	mm	in.	mm	lbs	kg	
1/4"	1.89	48	0.46	12	3.86	99	1.93	50	0.39	0.2	7
3/8"	1.89	48	0.49	13	3.86	99	1.93	50	0.39	0.2	8
1/2"	2.21	56	0.59	15	3.86	99	2.09	54	0.56	0.3	11
3/4"	2.56	65	0.79	20	4.73	121	2.48	63	0.87	0.4	21
1"	3.03	77	0.99	26	6.07	155	2.84	73	1.73	0.6	35
1-1/4"	3.55	90	1.26	33	6.07	155	3.05	78	2.22	1.0	57
1-1/2"	3.86	98	1.50	39	7.25	185	3.62	92	2.99	1.44	80
2"	4.77	121	1.97	50	7.25	185	3.98	102	5.16	2.3	150
2-1/2"	5.71	145	2.56	66	9.65	246	5.08	130	10.19	4.6	265
3"	6.54	166	2.88	74	9.65	246	5.48	140	15.45	7.0	415

20SS - PRESSURE/TEMPERATURE CHART



Class 400

Note: Maximum pressure & temperature is limited to the seat material rating

20SS Series Part Numbers

Size	Part #	Size	Part #
1/4"	20SSTH01M	1 1/4"	20SSTH06M
3/8"	20SSTH02M	1-1/2"	20SSTH07M
1/2"	20SSTH03M	2"	20SSTH08M
3/4"	20SSTH04M	2-1/2"	20SSTH09M
1"	20SSTH05M	3"	20SSTH10M

Note: Oval handle option available (PN: P20LHOV13 sizes 1/4" to 1/2", PN: P20LHOV4 size 3/4", PN: P20LHOV56 sizes 1" to 1-1/4" and PN: P20LHOV78 sizes 1-1/2" to 2")