

Series BEV9B Ball Valve

Two-Piece Ball Valve, Full Port

Sizes 1/2" ~ 2"



The SVF Series BEV9B valves are designed for superior performance in general purpose, plant-wide applications. The direct-mount feature reduces the size and weight of traditional automated valves. BEV9B series features stem seal glands that can be adjusted on actuated valves without removing the actuator.

SERIES BEV9B DESIGN FEATURES

- ✓ Designed & built for economical performance
- ✓ Pressure rated for 1,000 WOG
- ✓ Full Port flow path for maximum flow
- ✓ Anti-Static stem device standard
- ✓ Built-In ISO 5211 direct mounting pad for easy automation
- ✓ End connections include SE (Screwed Ends, FNPT)
- ✓ Blowout proof stem adds safety & reliability
- ✓ Adjustable stem seal gland
- ✓ Chevron (V-Ring) stem seals assures low friction and leak tight performance



MATERIALS OF CONSTRUCTION

ITEM	DESCRIPTION	MATERIALS SPECIFICATIONS
1	Body	316 Stainless Steel (ASTM A351 CF8M)
2	End Connector	316 Stainless Steel (ASTM A351 CF8M)
3	Ball	316 Stainless Steel (ASTM A351 CF8M)
4	Stem	316 Stainless Steel (ASTM A276)
5	Seat	PTFE
6	Body Seal	PTFE
7	Stem Seal	PTFE



BEV9B SERIES FOR AUTOMATION

BEV9B valves feature direct mounting for pneumatic or electric automation. This feature reduces the cost and additional size and weight of valves requiring a mounting adapter kit.

What do you need today?™



Series BEV9B Ball Valve

Two-Piece Ball Valve, Full Port

Sizes 1/2" ~ 2"

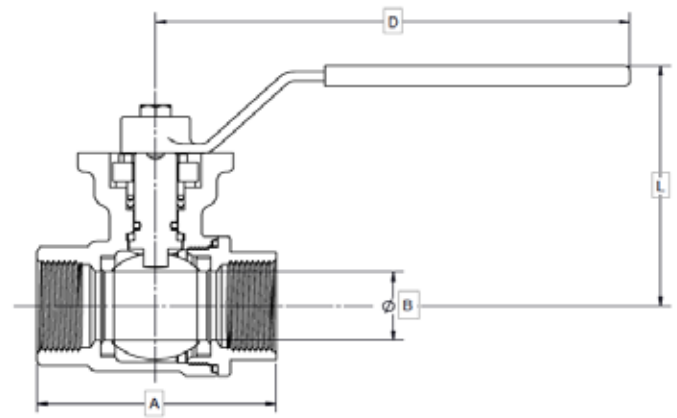
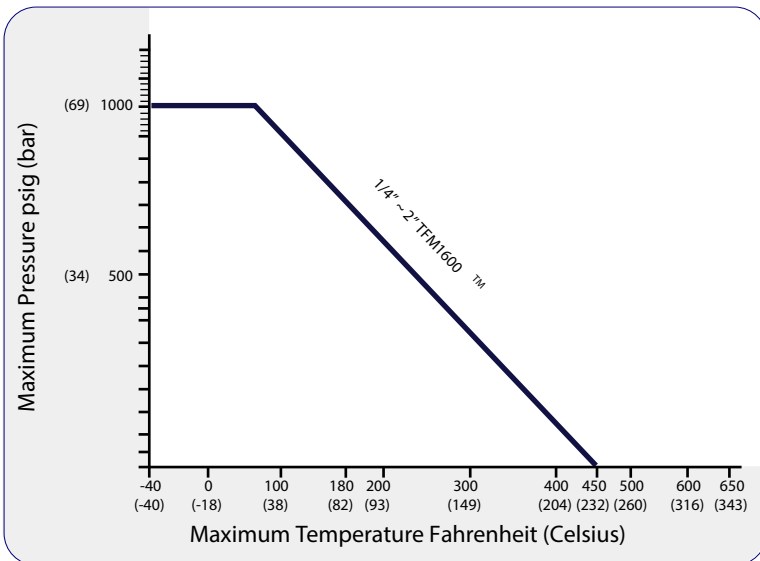


DIMENSIONS, WEIGHT, C_v, TORQUE

Size	A		B		D		L		Weight		C _v	Torque* PTFE	
	in.	mm	in.	mm	in.	mm	in.	mm	lbs	kg		in-lbf	Nm
1/2"	2.28	58	0.59	15	4.92	125	2.91	74	1.0	0.45	10	44	5
3/4"	2.63	67	0.78	20	4.92	125	3.07	78	1.3	0.59	25	62	7
1"	3.07	78	0.98	25	6.10	155	3.5	89	2.0	0.91	35	112	13
1-1/2"	4.09	104	1.5	38	7.40	188	4.33	110	4.7	2.13	80	278	32
2"	4.96	126	1.97	50	7.4	188	4.64	118	6.9	3.13	110	322	37

* At full differential pressure for clean fluids

BEV9B - PRESSURE/TEMPERATURE CHART



Class 300

Note: Maximum pressure & temperature is limited to the seat material rating

Series BEV9B Ball Valve

Two-Piece Ball Valve, Full Port

Sizes 1/2" ~ 2"



How To Order Guide (Columns 1 thru 11)

1	2	3	4	5	6
SERIES	BODY	ENDS	BALL	STEM	SEAT MATERIAL
BEV9B	6 = 316 Stainless Steel ASTM A351 CF8M	6 = 316 Stainless Steel ASTM A351 CF8M	6 = 316 Stainless Steel ASTM A351 CF8M	6 = 316 Stainless Steel ASTM A276	T = PTFE

7	8	9	10	11
BODY SEAL	END CONNECTIONS	VALVE SIZE	OPTIONS	SPECIAL SERVICES
T = PTFE	SE0 = Threaded Ends (FNPT)	005 = 1/2" 007 = 3/4" 010 = 1" 015 = 1-1/2" 020 = 2"	00 = None	00 = None

Order Example: (BEV9B6666TTSE00050000) The Part Number will contain 21 digits.

Ordering Code Sequence >>

Sample Part Number >>

