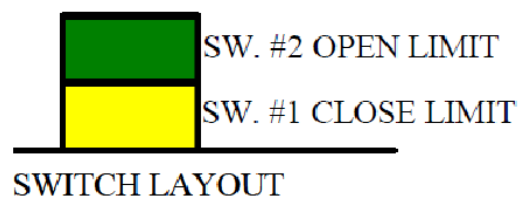


ACTUATOR SHOWN IN THE OPEN POSITION UNLESS OTHERWISE SPECIFIED.



NOTES:

1. POWER TO TERMINALS ONE AND TWO OPENS THAT VALVE (CCW ROTATION).
2. POWER TO TERMINALS ONE AND THREE CLOSES THE VALVE (CW ROTATION).
3. TERMINALS 4 & 5 ARE FOR LIGHT INDICATION.

N HOT  
115/230VAC  
SUPPLY  
POWER

UNLESS OTHERWISE SPECIFIED, ALL DIMENSIONS ARE IN INCHES AND THESE TOLERANCES APPLY:  
NO DEC = REF. DIM AS CAST = ± 0.02"  
1 DEC PLACE = ± 0.1"  
2 DEC PLACE = ± 0.01"  
3 DEC PLACE = ± 0.005"  
ANGULAR: = ± 0.5°

DRAWN BY G.U. DATE 09/05/2011  
CHECKED BY E.P. DATE 01/15/2018  
APPROVED BY J.S. DATE 01/15/2018  
(FOR REF ONLY IF NOT APPROVED)  
SERIES & SIZE  
E-SERIES ACTUATORS

DESCRIPTION  
WIRING DIAGRAM FOR SINGLE PHASE 115VAC AND 230VAC ELECTRIC ACTUATOR, ON-OFF CONTROL

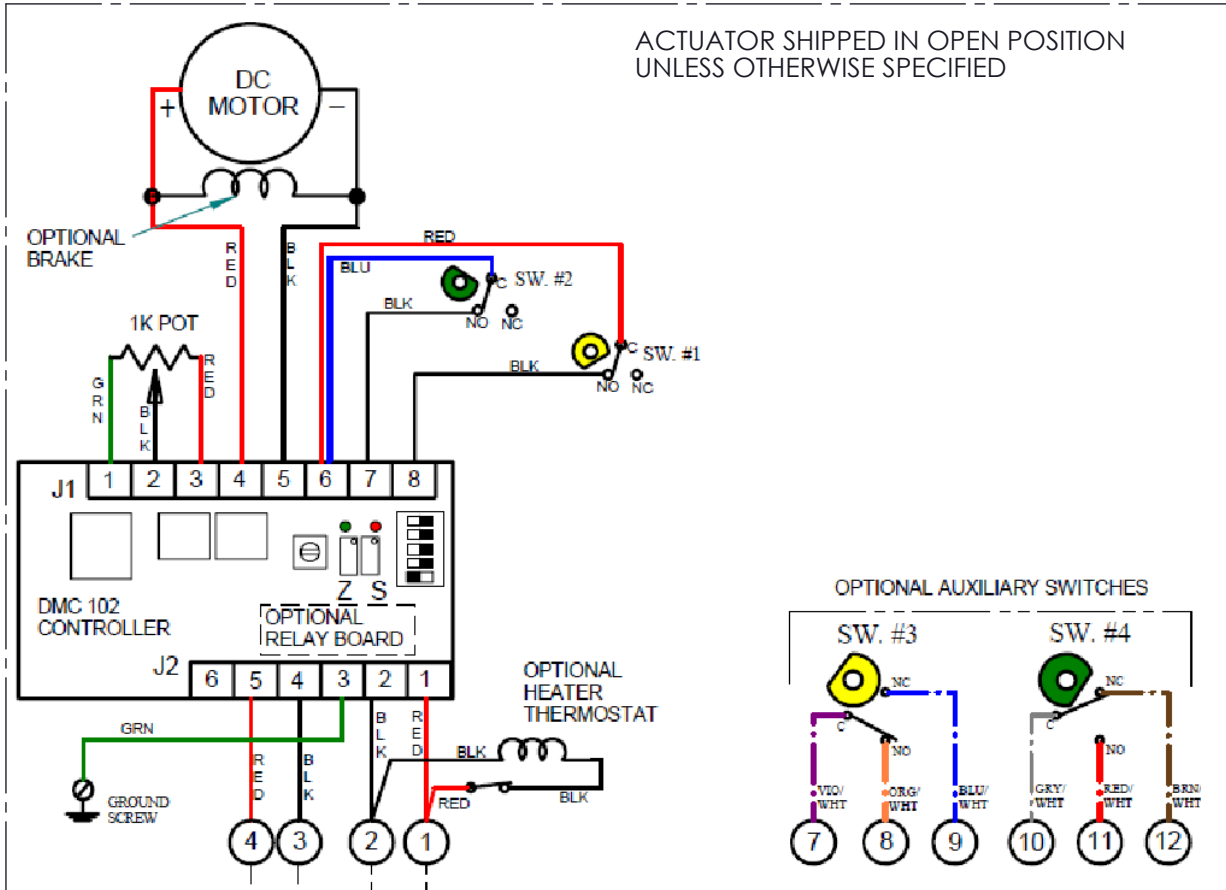


REV.	ECO#	DESCRIPTION	DATE	BY
A	N/A	NEW RELEASE - FOR REVIEW	09/05/11	G.U.
B	0263	NEW TITLE BLOCK	01/15/18	C.L.

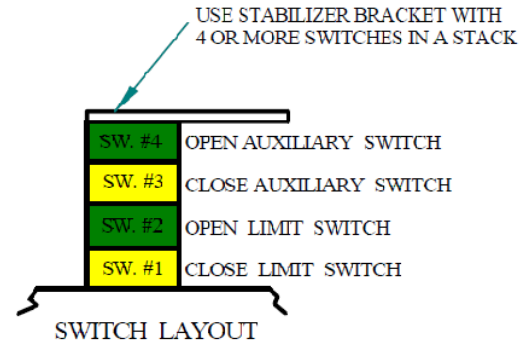
THE INFORMATION CONTAINED IN THIS DRAWING IS THE SOLE PROPERTY OF SVF FLOW CONTROLS, INC. ANY REPRODUCTION IN PART OR IN WHOLE WITHOUT THE WRITTEN CONSENT OF SVF FLOW CONTROLS, INC. IS PROHIBITED.

PROJECTION THIRD ANGLE:

DWG TYPE: WIRING DIAGRAM  
SCALE: NTS SHEET: 1 OF 1 REV: B



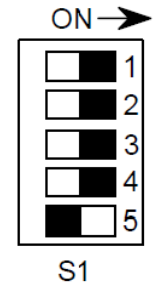
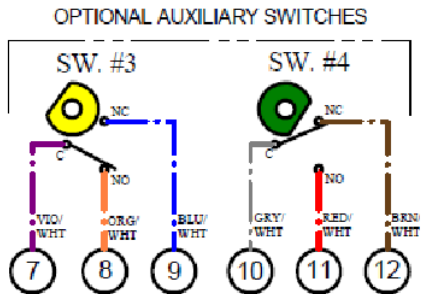
ACTUATOR SHIPPED IN OPEN POSITION UNLESS OTHERWISE SPECIFIED



SPECIFICATIONS:

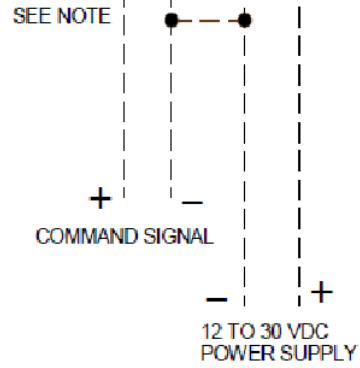
POWER REQUIREMENTS:  
OPERATING VOLTAGE - 10 TO 30

DC MOTOR OUTPUTS:  
MAXIMUM LOCKED ROTOR CURRENT = 60A  
FULL LOAD AMPS = 10A



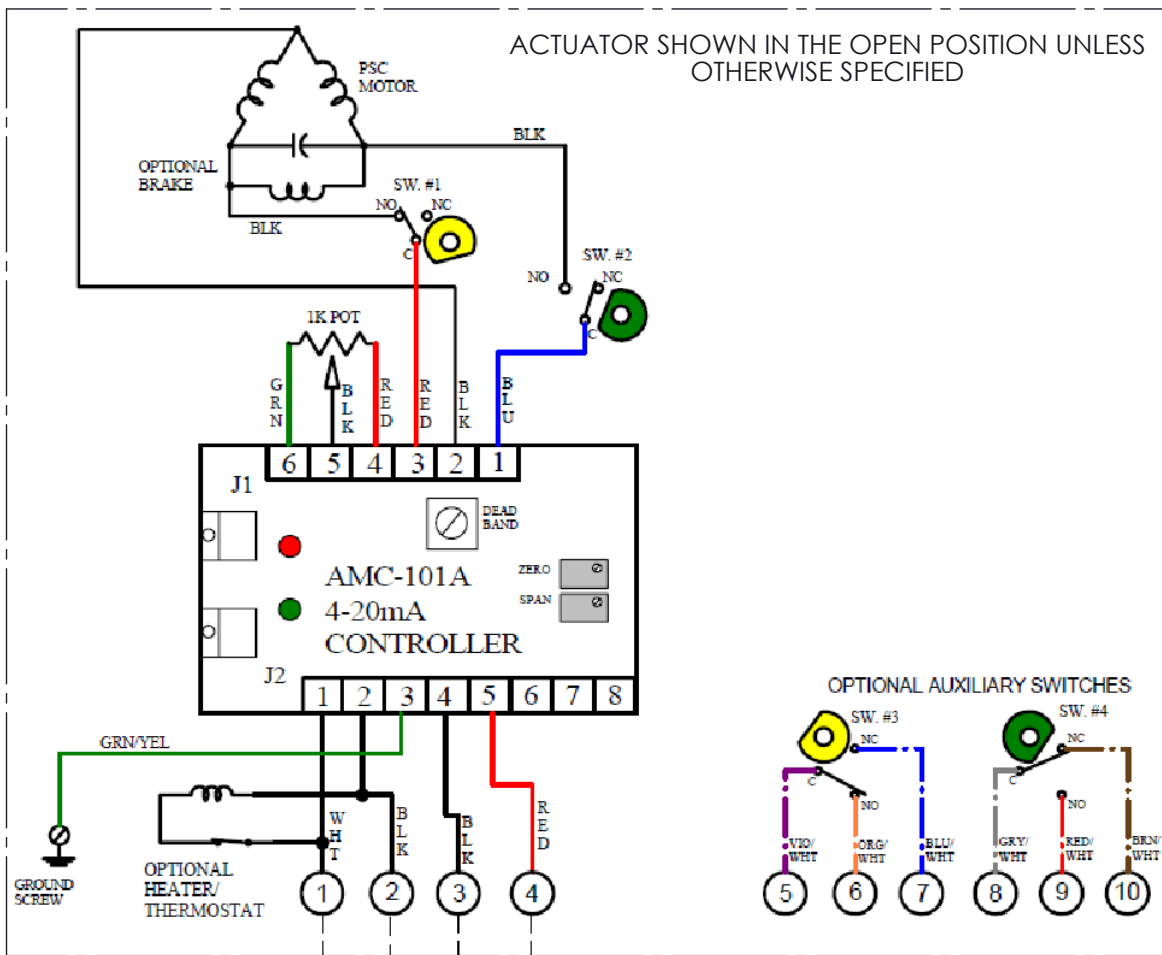
NOTES:  
FEEDBACK POTENTIOMETER AND LIMIT SWITCHES ARE PRESENT AT THE FACTORY AND DO NOT REQUIRE ADJUSTMENT.  
ADJUST THE OPEN AND CLOSE OF THE VALVE USING THE ZERO (4mA) AND SPAN (20mA) POTS ON THE CONTROLLER BOARD.  
THE 4-20mA OUTPUT CAN BE ADJUSTED USING THE ZERO AND SPAN POTS ON THE TRANSMITTER BOARD. SEE MANUAL FOR S1 SWITCH SETTINGS. SETTINGS ABOVE ARE FOR NORMAL CONTROL FUNCTION, 4-20mA CONTROL SIGNAL AND MOTOR OFF IF COMMAND SIGNAL IS LOST (STANDARD).

THE USER IS REQUIRED TO MAKE SURE THAT THE DC POWER GROUND (-) AND THE CONTROL SIGNAL GROUND (-) ARE TIED TOGETHER.

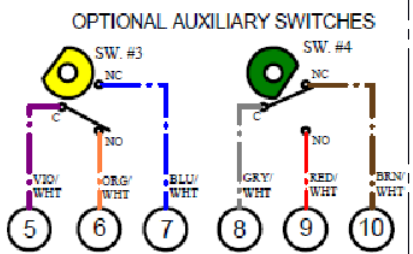
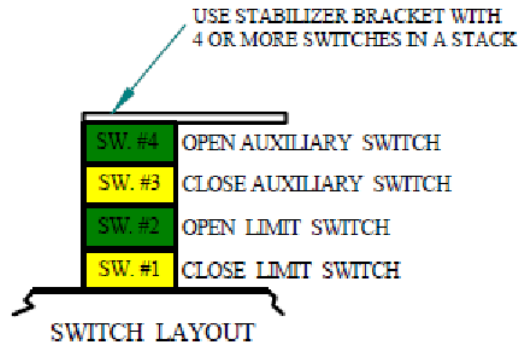


UNLESS OTHERWISE SPECIFIED, ALL DIMENSIONS ARE IN INCHES AND THESE TOLERANCES APPLY:  NO DEC = REF. DIM AS CAST = ± 0.02" 1 DEC PLACE = ± 0.1" 2 DEC PLACE = ± 0.01" 3 DEC PLACE = ± 0.005"  ANGULAR: = ± 0.5°	DRAWN BY G.U.	DATE 09/05/2011	
	CHECKED BY E.P.	DATE 01/17/2018	
THE INFORMATION CONTAINED IN THIS DRAWING IS THE SOLE PROPERTY OF SVF FLOW CONTROLS, INC. ANY REPRODUCTION IN PART OR IN WHOLE WITHOUT THE WRITTEN CONSENT OF SVF FLOW CONTROLS, INC. IS PROHIBITED.	APPROVED BY J.S.	DATE 01/17/2018	DESCRIPTION WIRING DIAGRAM FOR E-SERIES DC ELECTRIC ACTUATOR WITH 12VDC/24VDC AND 4-20ma CONTROL
	E-SERIES ACTUATOR		DWG TYPE: WIRING DIAGRAM
PROJECTION THIRD ANGLE:		SCALE: NTS	SHEET: 1 OF 1
			REV: B

REV.	ECO#	DESCRIPTION	DATE	BY
A	N/A	NEW RELEASE - FOR REVIEW	09/05/11	G.U.
B	0263	NEW TITLE BLOCK	01/17/18	C.L.



ACTUATOR SHOWN IN THE OPEN POSITION UNLESS OTHERWISE SPECIFIED



120 VAC POWER SUPPLY  
N  
HOT

4-20mA CONTROL CURRENT

UNLESS OTHERWISE SPECIFIED, ALL DIMENSIONS ARE IN INCHES AND THESE TOLERANCES APPLY:  
NO DEC = REF. DIM AS CAST = ± 0.02"  
1 DEC PLACE = ± 0.1"  
2 DEC PLACE = ± 0.01"  
3 DEC PLACE = ± 0.005"  
ANGULAR: = ± 0.5°

THE INFORMATION CONTAINED IN THIS DRAWING IS THE SOLE PROPERTY OF SVF FLOW CONTROLS, INC. ANY REPRODUCTION IN PART OR IN WHOLE WITHOUT THE WRITTEN CONSENT OF SVF FLOW CONTROLS, INC. IS PROHIBITED.

DRAWN BY G.U. DATE 09/05/2011  
CHECKED BY E.P. DATE 01/17/2018  
APPROVED BY J.S. DATE 01/17/2018  
(FOR REF ONLY IF NOT APPROVED)  
SERIES & SIZE

E-SERIES ACTUATORS  
PROJECTION THIRD ANGLE:

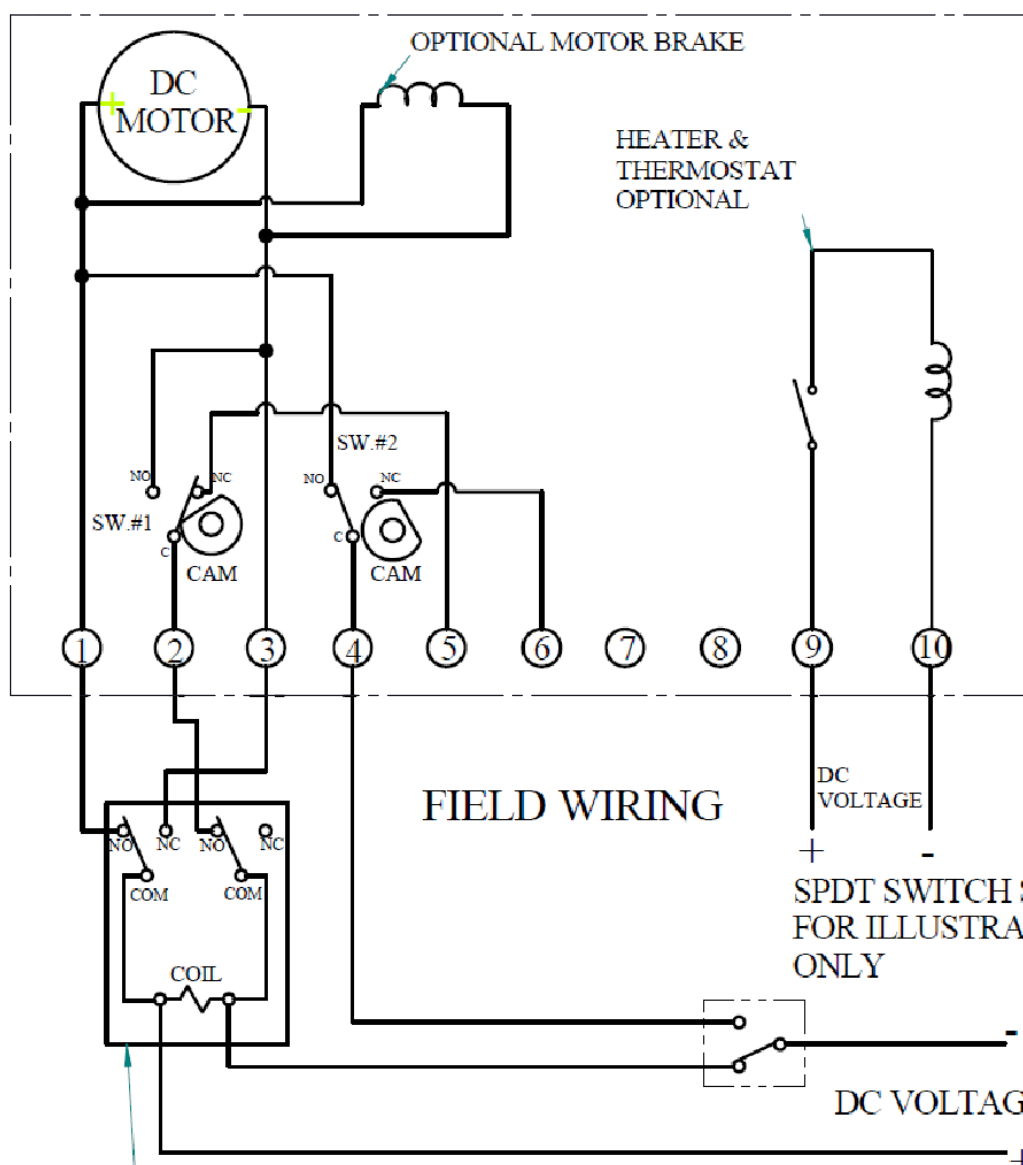


DESCRIPTION  
WIRING DIAGRAM FOR E-SERIES AC ELECTRIC ACTUATOR WITH 115VAC AND 4-20ma CONTROL

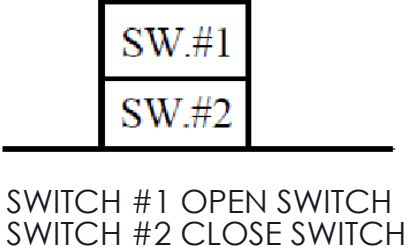
DWG TYPE: WIRING DIAGRAM  
SCALE: NTS SHEET: 1 OF 1 REV: B

REV.	ECO#	DESCRIPTION	DATE	BY
A	N/A	NEW RELEASE - FOR REVIEW	09/05/11	G.U.
B	0263	NEW TITLE BLOCK	01/17/18	C.L.

REVISIONS



ACTUATOR SHOWN IN OPEN POSITION  
UNLESS OTHERWISE SPECIFIED



OPERATION:  
POWER TO 1 & 2 FOR CCW ROTATION  
POWER TO 3 & 4 FOR CW ROTATION  
TERMINALS 5 & 6 FOR FIELD LIGHT INDICATION  
CONNECTION

UNLESS OTHERWISE SPECIFIED, ALL DIMENSIONS ARE IN INCHES AND THESE TOLERANCES APPLY:  
NO DEC = REF. DIM AS CAST = ± 0.02"  
1 DEC PLACE = ± 0.1"  
2 DEC PLACE = ± 0.01"  
3 DEC PLACE = ± 0.005"  
ANGULAR: = ± 0.5°

THE INFORMATION CONTAINED IN THIS DRAWING IS THE SOLE PROPERTY OF SVF FLOW CONTROLS, INC. ANY REPRODUCTION IN PART OR IN WHOLE WITHOUT THE WRITTEN CONSENT OF SVF FLOW CONTROLS, INC. IS PROHIBITED.

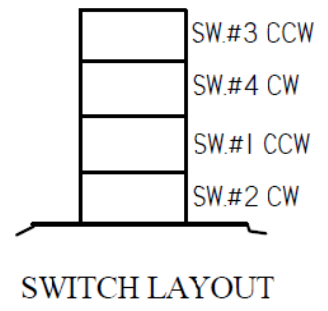
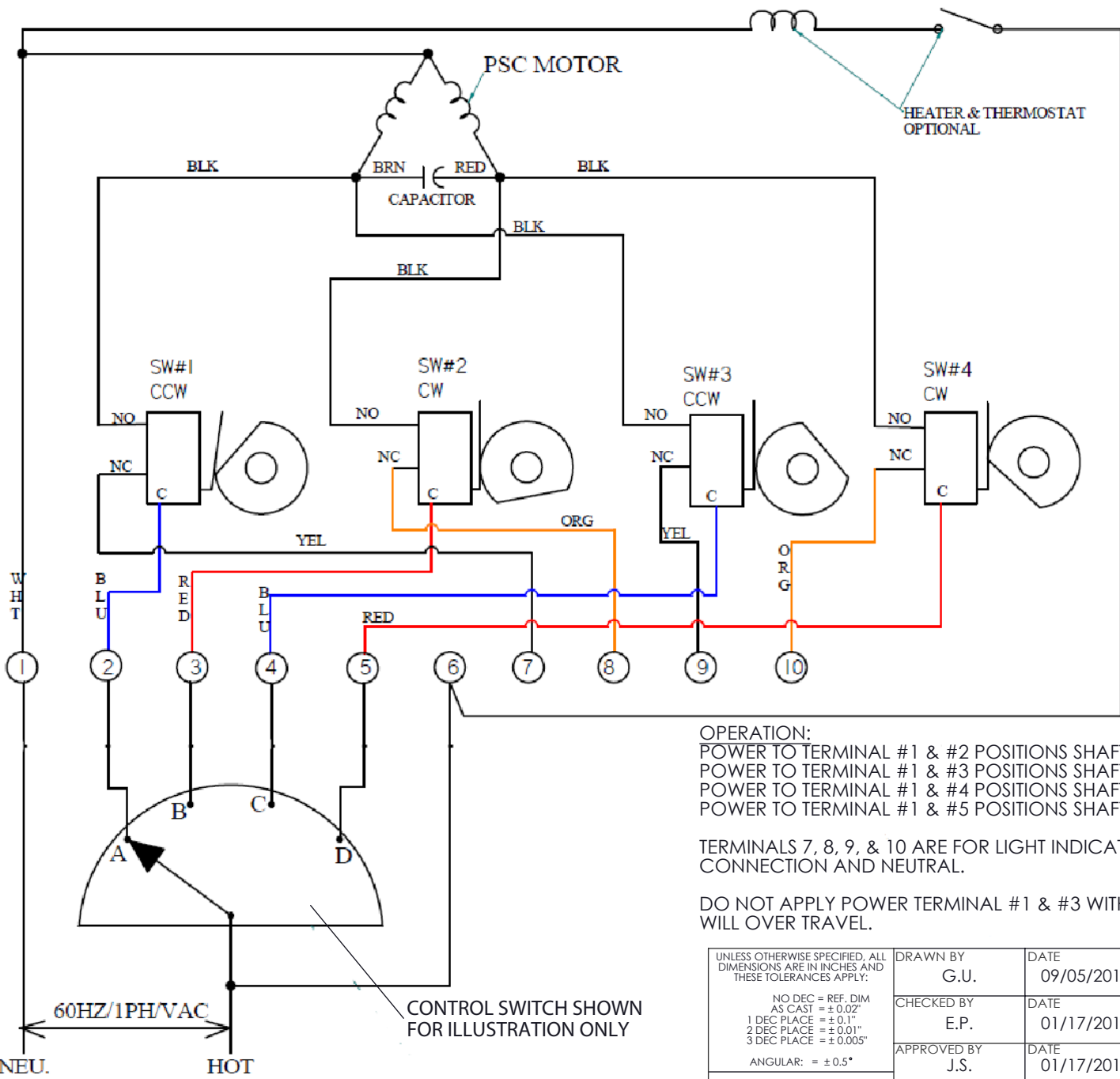
DRAWN BY G.U. DATE 09/05/2011  
CHECKED BY E.P. DATE 01/17/2018  
APPROVED BY J.S. DATE 01/17/2018  
(FOR REF ONLY IF NOT APPROVED)  
SERIES & SIZE  
E-SERIES ACTUATORS  
PROJECTION THIRD ANGLE:

**SVF**  
FLOW CONTROLS

DESCRIPTION  
WIRING DIAGRAM FOR 12VDC/24VDC TWO POSITION E-SERIES ELECTRIC ACTUATOR

DWG TYPE: WIRING DIAGRAM  
SCALE: NTS SHEET: 1 OF 1 REV: B

REV.	ECO#	DESCRIPTION	DATE	BY
A	N/A	NEW RELEASE - FOR REVIEW	09/05/11	G.U.
B	0263	NEW TITLE BLOCK	01/17/18	C.L.



**OPERATION:**  
 POWER TO TERMINAL # 1 & #2 POSITIONS SHAFT TO ZERO DEGREE "CCW ROTATION".  
 POWER TO TERMINAL # 1 & #3 POSITIONS SHAFT TO 180 DEGREE POSITION "CW ROTATION".  
 POWER TO TERMINAL # 1 & #4 POSITIONS SHAFT TO 90 DEGREE "CCW ROTATION".  
 POWER TO TERMINAL # 1 & #5 POSITIONS SHAFT TO 90 DEGREE "CW ROTATION".

TERMINALS 7, 8, 9, & 10 ARE FOR LIGHT INDICATION WHEN A LAMP IS CONNECTED BETWEEN CONNECTION AND NEUTRAL.

DO NOT APPLY POWER TERMINAL # 1 & #3 WITH ACTUATOR IN POSITION 'D' - ACTUATOR WILL OVER TRAVEL.

UNLESS OTHERWISE SPECIFIED, ALL DIMENSIONS ARE IN INCHES AND THESE TOLERANCES APPLY:  
 NO DEC = REF. DIM AS CAST = ± 0.02"  
 1 DEC PLACE = ± 0.1"  
 2 DEC PLACE = ± 0.01"  
 3 DEC PLACE = ± 0.005"  
 ANGULAR: = ± 0.5°

THE INFORMATION CONTAINED IN THIS DRAWING IS THE SOLE PROPERTY OF SVF FLOW CONTROLS, INC. ANY REPRODUCTION IN PART OR IN WHOLE WITHOUT THE WRITTEN CONSENT OF SVF FLOW CONTROLS, INC. IS PROHIBITED.

DRAWN BY G.U. DATE 09/05/2011

CHECKED BY E.P. DATE 01/17/2018

APPROVED BY J.S. DATE 01/17/2018

(FOR REF ONLY IF NOT APPROVED) SERIES & SIZE

E-SERIES ACTUATORS

PROJECTION THIRD ANGLE:



DESCRIPTION  
 WIRING DIAGRAM FOR 115VAC/230VAC THREE POSITION E-SERIES ELECTRIC ACTUATOR

DWG TYPE: WIRING DIAGRAM  
 SCALE: NTS SHEET: 1 OF 1 REV: B

REV.	ECO#	DESCRIPTION	DATE	BY
A	N/A	NEW RELEASE - FOR REVIEW	09/05/11	G.U.
B	0263	NEW TITLE BLOCK	01/17/18	C.L.

REVISIONS

DESCRIPTION

DATE

BY