

# Series SB7X Fire-Safe Ball Valve

Three-Piece *CleanFLOW™* High Purity Ball Valve

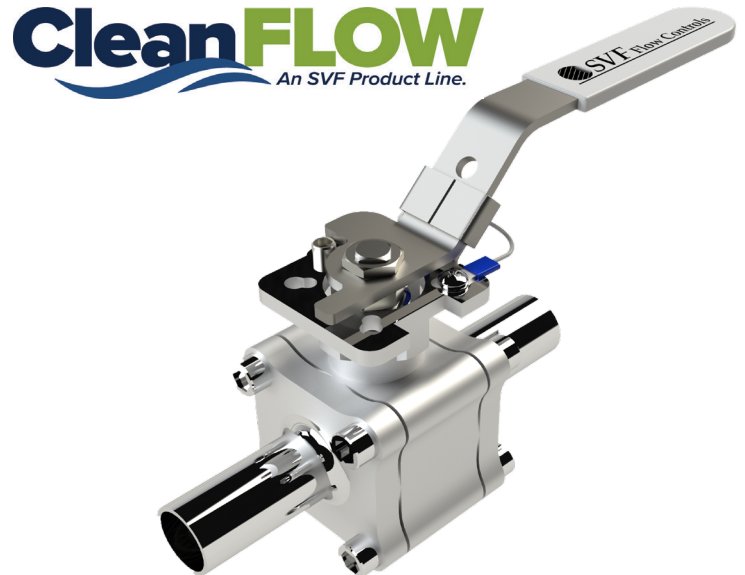
Sizes 1/2" ~ 2"



*CleanFLOW™* SB7X Fire-Safe ball valves are engineered to be a true process piping component to specifically meet the demanding processes found in the pharmaceutical and food & beverage industries. Certified to the latest API-607 standard, these valves satisfy a wide range of high purity applications for process and handling flammable fluids. The "Tube-ID" port opening is dimensionally identical to the adjacent tubing to comply with ASME-BPE guidelines.

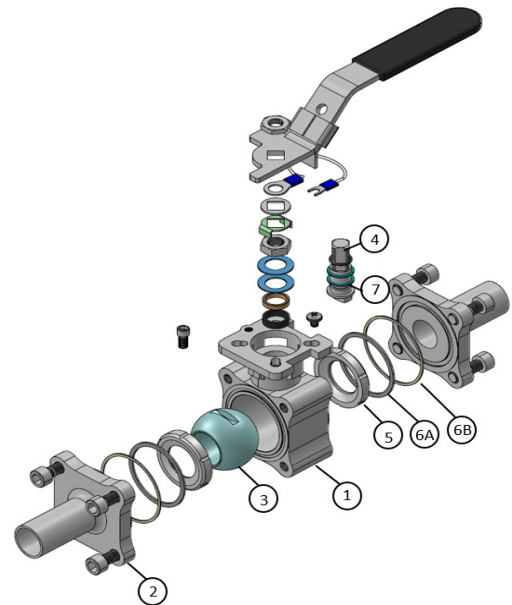
## SERIES SB7X DESIGN FEATURES

- ✓ ASME-BPE compliant
- ✓ Fire-safe certification to API-607
- ✓ Secondary metal back up seat
- ✓ Anti-Static Stem device
- ✓ Silicone Free
- ✓ Complete 316L Stainless Steel cast construction
- ✓ Drainable design with "Tube-ID" dimensions
- ✓ ISO 5211 mounting pad for "Direct Mount" actuation
- ✓ Encapsulated body seals to facilitate welding without disassembly
- ✓ Extended Tube O.D. end connections
- ✓ Controlled delta ferrite chemistry
- ✓ Standard interior finish is 15Ra or better
- ✓ ETO ends are designed for Orbital Welding



## MATERIALS OF CONSTRUCTION

ITEM	DESCRIPTION	MATERIALS SPECIFICATIONS
1	Body	316L Stainless Steel (ASTM A351 CF3M)
2	End Connector	316L Stainless Steel (ASTM A351 CF3M)
3	Ball	316L Stainless Steel (ASTM A351 CF3M)
4	Stem	316L Stainless Steel (ASTM A351 CF3M)
5	Seat	TFM1600™
6A	Body Seal	PTFE
6B	Body Seal	Grafoil
7	Stem Seal	PTFE



SB7X valves feature direct mounting for pneumatic or electric automation. This feature reduces the cost and additional size and weight of valves requiring a mounting adapter kit.



# Series SB7X Fire-Safe Ball Valve

Three-Piece *CleanFLOW™* High Purity Ball Valve

Sizes 1/2" ~ 2"

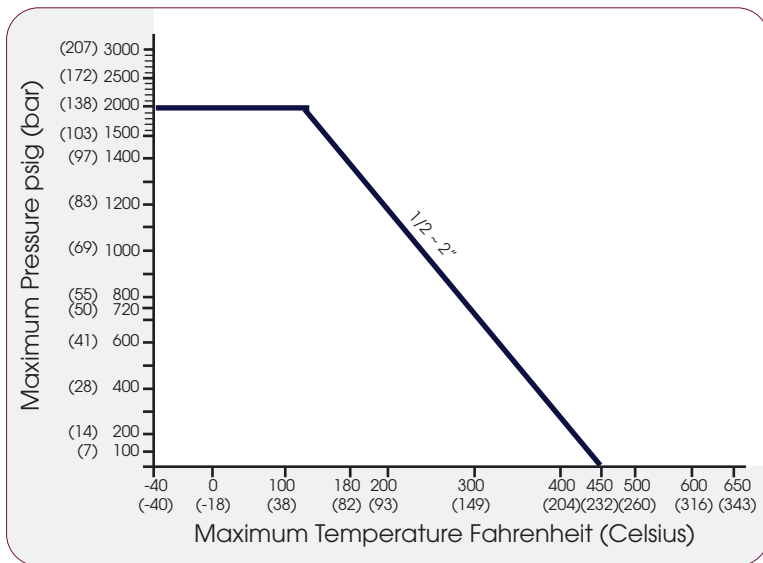


## DIMENSIONS, WEIGHT, CV, TORQUE

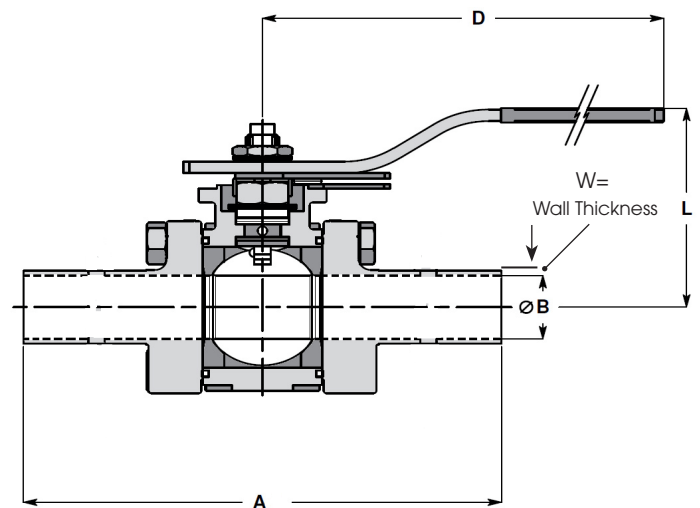
Size	A		B		D		L		W		Weight		Cv	Torque*	
	in.	mm	in.	mm	in.	mm	in.	mm	in.	mm	lbs	kg		in-lbf	Nm
1/2"	5.3	135	0.37	9	4.4	112	3.1	78	0.065	1.7	2	0.9	8	100	11
3/4"	5.6	142	0.62	16	7.3	186	3.5	89	0.065	1.7	2	0.9	29	140	16
1"	6.0	153	0.87	22	7.3	186	3.9	99	0.065	1.7	4	1.8	66	210	24
1-1/2"	7.0	179	1.37	35	7.8	198	4.9	124	0.065	1.7	8	3.6	192	490	55
2"	7.8	197	1.87	47	7.8	198	5.6	141	0.065	1.7	13	5.9	434	520	59

## SB7X - PRESSURE/TEMPERATURE CHART

\* At full differential pressure for clean fluids



**Class 800**



# Series SB7X Fire-Safe Ball Valve

Three-Piece *CleanFLOW™* High Purity Ball Valve  
 Sizes 1/2" ~ 2"



How To Order Guide (Columns 1 thru 11)

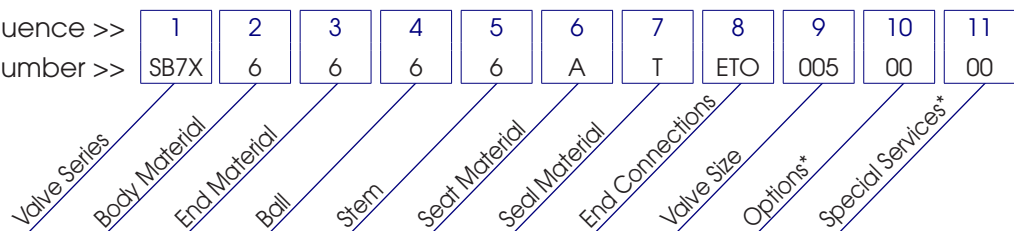
1 SERIES	2 BODY	3 ENDS	4 BALL	5 STEM	6 SEAT MATERIAL
SB7X	6 = 316L Stainless Steel ASTM A351 CF3MN	6 = 316L Stainless Steel ASTM A351 CF3MN	6 = 316L Stainless Steel ASTM A351 CF3M	6 = 316L Stainless Steel ASTM A351 CF3M	A = TFM1600™

7 BODY SEAL	8 END CONNECTIONS	9 VALVE SIZE	10 OPTIONS*	11 SPECIAL SERVICES*
T = PTFE with Secondary Grafoil Seal	ETO = Extended Tube-OD Ends	005 = 1/2" 007 = 3/4" 010 = 1" 015 = 1-1/2" 020 = 2"	00 = None	00 = None XC = Oxygen Cleaned EP = Electropolished SB = 10Ra ID Finish AB = Electropolished & 10Ra ID Finish AD = Oxygen Cleaned & Electropolished JB = Electropolished, Oxygen Cleaned & 10Ra ID Finish

Order Example: (SB7X6666ATETO0050000) The Part Number will contain 20 digits.

Ordering Code Sequence >>

Sample Part Number >>



\*Not all Options or Special Services available on all ball valves. Consult SVF for additional information.