

SLB Series

SLB Series Butterfly Valve
Sizes 2" ~ 24"



The SVF Series SLB dead-end service butterfly valves are designed for superior performance in general purpose plant-wide applications. Dead end service available for Lug type only. The direct-mount feature reduces the size and weight of traditional automated butterfly valves.

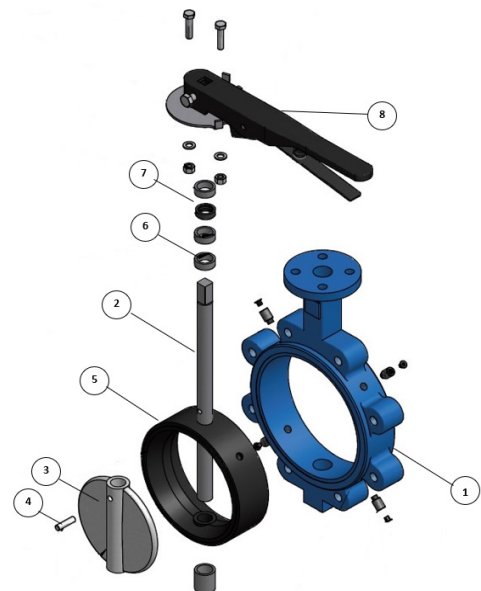
SERIES SLB DESIGN FEATURES

- ✓ Ductile Iron body with epoxy coating
- ✓ 316 Stainless Steel disc
- ✓ Viton, EPDM, Buna or PTFE seats
- ✓ PTFE stem bushing
- ✓ 10 position locking handle or gear operator
- ✓ Designed for dead-end service



MATERIALS OF CONSTRUCTION

ITEM	DESCRIPTION	MATERIAL SPECIFICATIONS
1	Body	DI (Ductile Iron) with Epoxy Coating
2	Stem	SS410
3	Disc	316 Stainless Steel (ASTM A351-CF8M)
4	Pin	316 Stainless Steel (ASTM A351-CF8M)
5	Seat	Viton, EPDM, Buna or PTFE
6	Stem Bushing	PTFE
7	O-Ring	Viton, EPDM or Buna
8	Handle	Malleable Iron



SERIES SLB FOR DEAD END SERVICE

StreamLine SLB series butterfly valve is a resilient seated, bi-directional butterfly valve designed for dead-end service applications.

Compliant to the MSS SP67 Standard

What do you need today?™



SLB Series

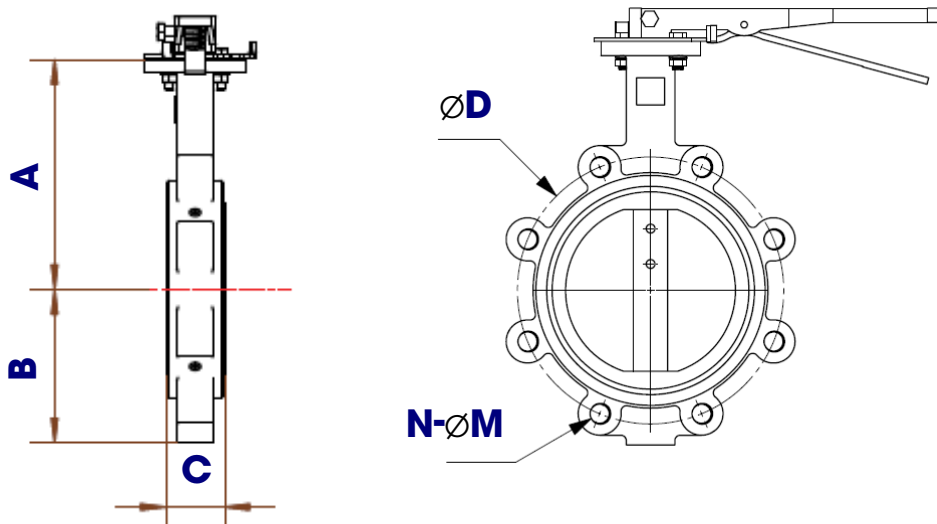
SLB Series Butterfly Valve
 Sizes 2" ~ 24"



STREAMLINE BUTTERFLY VALVE LUG DIMENSIONS

Size	A		B		C		ØD		N-ØM	Weight		ISO	Torque (Wet)		Cv
	in.	mm	in.	mm	in.	mm	in.	mm	in.	lbs	kg		in-lbs	Nm	
2"	6.38	162	2.99	76	1.81	46	4.74	120.5	4-5/8"-11	8.60	3.9	F07	134	15.14	113
2-1/2"	6.89	175	3.15	80	1.93	49	5.49	139.5	4-5/8"-11	10.36	4.7	F07	150	16.95	192
3"	7.13	181	3.74	95	1.93	49	6.00	152.5	4-5/8"-11	11.58	5.25	F07	206	23.27	296
4"	7.87	200	4.49	114	2.17	55	7.50	190.5	8-5/8"-11	17.13	7.77	F07	355	40.11	588
5"	8.39	213	5.00	127	2.30	59	8.50	216	8-3/4"-10	22.00	9.98	F07	552	62.37	1001
6"	8.86	225	5.51	140	2.30	59	9.51	241.5	8-3/4"-10	25.47	11.55	F07	910	102.82	1548
8"	10.24	260	6.81	173	2.52	64	11.75	298.5	8-3/4"-10	40.64	18.43	F10	1695	191.51	3075
10"	11.50	292	7.99	203	2.82	72	14.25	362	12-7/8"-9	61.67	27.83	F10	2791	315.34	5235
12"	13.27	337	9.33	237	3.19	81	17.02	432	12-7/8"-9	84.52	38.33	F10	4235	478.49	8085
14"	14.49	368	11.02	280	3.19	81	18.74	476	12-1"-8	143.55	65.1	F10	7015	792.59	11680
16"	15.75	400	11.97	304	3.54	90	21.24	539.5	16-1"-8	254.21	115.29	F14	8105	915.72	16062
18"	16.73	425	14.25	362	4.29	109	22.76	578	16-1-1/8"-7	316.73	143.64	F14	9404	1062.5	21275
20"	18.90	480	14.49	368	5.31	135	25.00	635	20-1-1/8"-7	449.62	203.91	F14	12544	1417.3	27355
24"	22.13	562	17.48	444	6.18	157	29.51	749.5	20-1-1/4"-7	752.26	341.16	F25	19615	2216.2	42254

* All torque values shown are for non-lubricating media & on-off service. For dry service, multiply by 1.6. Torques may vary, consult factory. Torques based on 150 PSI at ambient temperature.



SLB Series

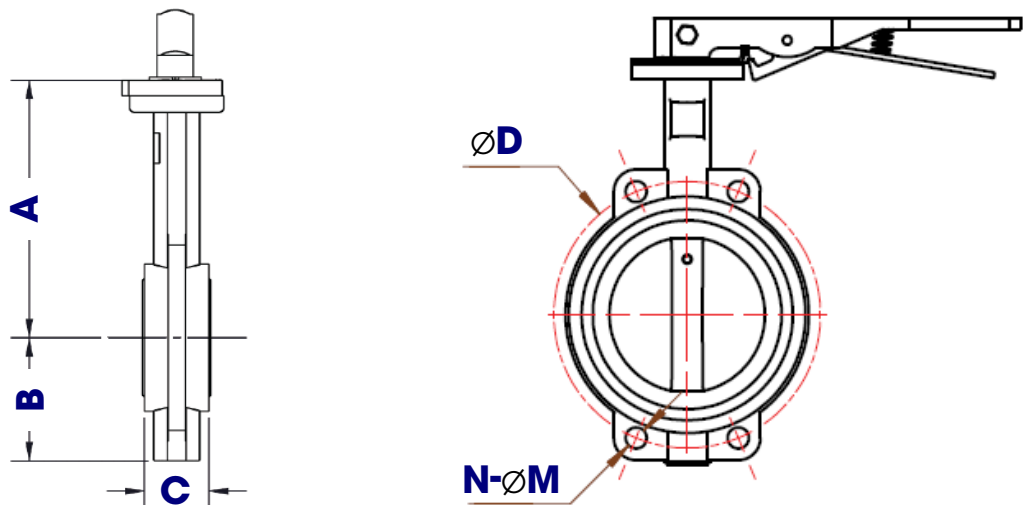
SLB Series Butterfly Valve
 Sizes 2" ~ 24"



STREAMLINE BUTTERFLY VALVE WAFER DIMENSIONS

Size	A		B		C		ØD		N-ØM	Weight		ISO	Torque (Wet)		Cv
	in.	mm	in.	mm	in.	mm	in.	mm	mm	lbs	kg		in-lbs	Nm	
2"	6.38	162	2.99	76	1.81	46	4.74	120.5	4-M19	6.61	3.0	F07	134	15.14	113
2-1/2"	6.89	175	3.50	89	1.93	49	5.49	139.5	4-M19	8.60	3.9	F07	150	16.95	192
3"	7.13	181	3.74	95	1.93	49	6.00	152.5	4-M19	8.93	4.05	F07	206	23.27	296
4"	7.87	200	4.49	114	2.17	55	7.50	190.5	8-M19	12.24	5.55	F07	355	40.11	588
5"	8.39	213	5.00	127	2.31	58.5	8.50	216	8-M22	16.20	7.35	F07	552	62.37	1001
6"	8.86	225	5.51	140	2.31	59	9.51	241.5	8-M22	18.63	8.45	F07	910	102.82	1548
8"	10.24	260	6.97	177	2.52	64	11.75	298.5	8-M22	31.48	14.28	F10	1695	191.51	3075
10"	11.50	292	7.99	203	2.82	71.5	14.25	362	12-M25	42.51	19.28	F10	2791	315.34	5235
12"	13.19	335	9.53	242	3.19	81	17.02	432	12-M25	66.76	30.28	F10	4235	478.49	8085

* All torque values shown are for non-lubricating media & on-off service. For dry service, multiply by 1.6. Torques may vary, consult factory. Torques based on 150 PSI at ambient temperature.



SLB Series

SLB Series Butterfly Valve
Sizes 2" ~ 24"



How To Order Guide (Columns 1 thru 9)

1 SERIES	2 TYPE	3 BODY	4 DISC
SLB	L = Lug W = Wafer (Available for sizes 2" to 12" only)	D = Ductile Iron	6 = 316 Stainless Steel ASTM A351 CF8M

5 STEM MATERIAL	6 SEAT MATERIAL	7 CLASS	8 HANDLE	9 SIZE
S = SS410	N = BUNA E = EPDM V = Viton T = PTFE	1 = CLASS 150	L = LEVER G = GEAR OPERATOR	020 = 2" 025 = 2-1/2" 030 = 3" 040 = 4" 050 = 5" 060 = 6" 080 = 8" 100 = 10" 120 = 12" 140 = 14" 160 = 16" 180 = 18" 200 = 20" 240 = 24"

Pressure: 200 PSI (Sizes: 2" to 12")
 150 PSI (Sizes 14" to 24")

Temperature: Buna (10°F to 180°F)
 EPDM (-30°F to 275°F)
 Viton (0°F to 375°F)
 PTFE (-40°F to 275°F)

Order Example: (SLBLD6SN1L020) The Part Number will contain 13 digits.

