

Series EZ9B Ball Valve

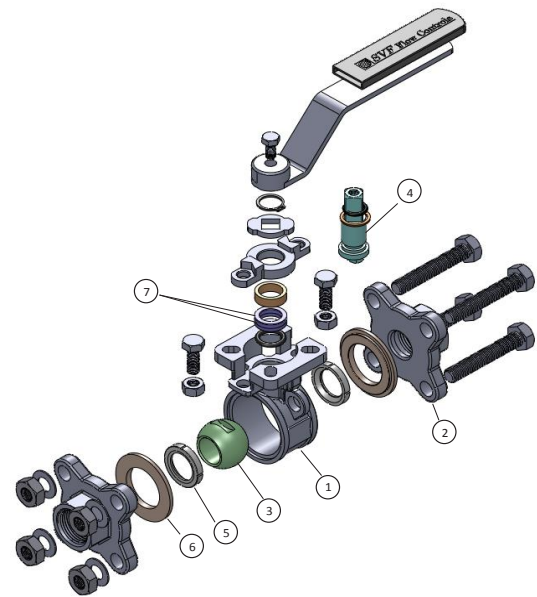
Three-Piece Ball Valve, Full Port
Sizes 1/4" ~ 4"



The SVF Series EZ9B valves are designed for superior performance in general purpose, plant-wide applications. The direct-mount feature reduces the size and weight of traditional automated valves. EZ9B series features stem seal glands that can be adjusted on actuated valves without removing the actuator.

SERIES EZ9B DESIGN FEATURES

- ✓ Designed & built for economical performance
- ✓ Pressure rated for 1,000 WOG
- ✓ Socket weld complies with ANSI B16.11
- ✓ Full Port flow path for maximum flow
- ✓ Anti-Static stem device standard
- ✓ Built-In ISO 5211 direct mounting pad for easy automation
- ✓ End connections include SE (Screwed Ends, FNPT) and SW (Socket Weld)
- ✓ Three-piece "swing out" design offers easy access for in-line automation
- ✓ Blowout proof stem adds safety & reliability
- ✓ Adjustable stem seal gland
- ✓ Chevron (V-Ring) stem seals assures low friction and leak tight performance
- ✓ Lockable in the "Open" or "Closed" position



MATERIALS OF CONSTRUCTION

ITEM	DESCRIPTION	MATERIALS SPECIFICATIONS
1	Body	316 Stainless Steel (ASTM A351 CF8M)
2	End Connector	316 Stainless Steel (ASTM A351 CF8M)
3	Ball	316 Stainless Steel (ASTM A351 CF8M)
4	Stem	316 Stainless Steel (ASTM A276)
5	Seat	PTFE
6	Body Seal	PTFE
7	Stem Seal	PTFE

EZ9B SERIES FOR AUTOMATION

EZ9B9 valves feature direct mounting for pneumatic or electric automation. This feature reduces the cost and additional size and weight of valves requiring a mounting adapter kit.

What do you need today?™



Series EZ9B Ball Valve

Three-Piece Ball Valve, Full Port
 Sizes 1/4" ~ 4"

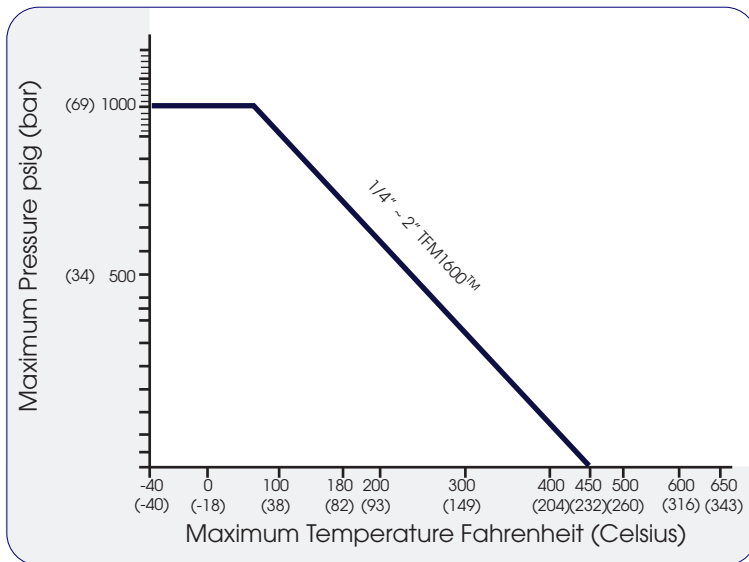


DIMENSIONS, WEIGHT, CV, TORQUE

Size	A		B		D		L		Weight		Cv	Torque* PTFE	
	in.	mm	in.	mm	in.	mm	in.	mm	lbs	kg		in-lbf	Nm
1/4"	2.48	63	0.47	12	4.92	125	2.91	74	1.6	0.73	6	35	4
3/8"	2.48	63	0.51	13	4.92	125	2.91	74	1.6	0.73	7	35	4
1/2"	2.48	63	0.59	15	4.92	125	2.91	74	1.6	0.73	10	35	4
3/4"	2.87	73	0.79	20	4.92	125	3.07	78	1.8	0.82	34	44	5
1"	3.35	85	0.98	25	6.10	155	3.50	89	2.6	1.18	62	112	13
1-1/4"	3.78	96	1.26	32	6.10	155	3.70	94	4.0	1.81	102	174	20
1-1/2"	4.49	114	1.50	38	7.28	185	4.33	110	6.4	2.90	175	280	32
2"	5.28	134	1.97	50	7.28	185	4.65	118	8.6	3.90	480	323	37
2-1/2"	7.09	180	2.55	65	13.86	352	6.34	161	18.1	8.2	680	420	47
3"	7.87	200	3.15	80	13.86	352	6.69	170	28.4	12.88	875	588	66
4"	8.98	228	3.97	100	15.63	397	7.95	202	46.9	21.27	1560	774	87

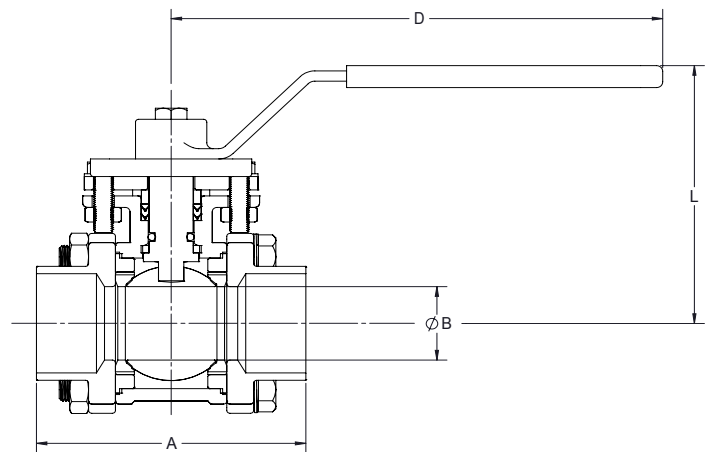
* At full differential pressure for clean fluids

EZ9B - PRESSURE/TEMPERATURE CHART



Class 300

Note: Maximum pressure & temperature is limited to the seat material rating



Series EZ9B Ball Valve

Three-Piece Ball Valve, Full Port
 Sizes 1/4" ~ 4"



How To Order Guide (Columns 1 thru 11)

1	2	3	4	5	6
SERIES	BODY	ENDS	BALL	STEM	SEAT MATERIAL
EZ9B	6 = 316 Stainless Steel ASTM A351 CF8M	6 = 316 Stainless Steel ASTM A351 CF8M	6 = 316 Stainless Steel ASTM A351 CF8M	6 = 316 Stainless Steel ASTM A276	T = PTFE

7	8	9	10	11
BODY SEAL	END CONNECTIONS	VALVE SIZE	OPTIONS	SPECIAL SERVICES
T = PTFE	SE0 = Threaded Ends (FNPT) SW0 = Socket Weld Ends	002 = 1/4" 003 = 3/8" 005 = 1/2" 007 = 3/4" 010 = 1" 015 = 1-1/2" 020 = 2" 025 = 2-1/2" 030 = 3" 040 = 4"	00 = None	00 = None

Order Example: (EZ9B6666TTSE00050000) The Part Number will contain 20 digits.

Ordering Code Sequence >>

Sample Part Number >>

