

Series C8 Ball Valve

Three-Piece Chlorine Service Ball Valve
 Sizes 1/4" ~ 2"



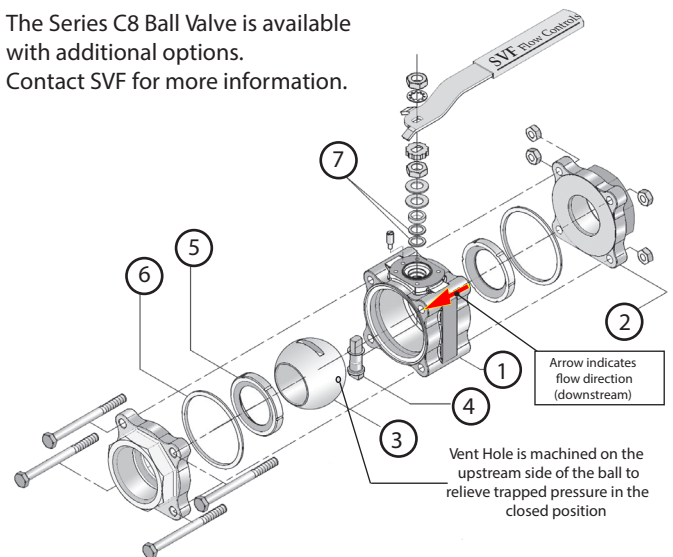
The SVF Series C8 Ball Valve meets the Chlorine Institute Specifications (Pamphlet 6) for piping systems for Dry Chlorine Service. This series is available with Threaded (FNPT) and Socket Weld End Connections.

SERIES C8 DESIGN FEATURES

- ✓ Ideal for use in Dry or Liquid Chlorine Service
- ✓ Meets the Chlorine Institute Specifications (pamphlet 6) for piping systems for Dry Chlorine service
- ✓ Encapsulated body seals to facilitate welding without disassembly
- ✓ Live-loaded stem seal ensures seal-tight pressure containment even under thermal cycling
- ✓ Three-piece "swing out" design offers easy access for in-line maintenance
- ✓ ISO 5211 mounting pad for easy actuation
- ✓ Standard seat material is TFM1600™
- ✓ Blowout proof stem adds safety & reliability
- ✓ Full range of options to suit specific requirements



The Series C8 Ball Valve is available with additional options. Contact SVF for more information.



MATERIALS OF CONSTRUCTION

ITEM	DESCRIPTION	MATERIALS SPECIFICATIONS
1	Body	Carbon Steel (ASTM A216 WCB)
2	End Connector	Carbon Steel (ASTM A216 WCB)
3	Ball	Monel (ASTM B164 N04400) Hastelloy (ASTM A494, CW 12MW)
4	Stem	Monel (ASTM B164 N04400) Hastelloy (ASTM A494, CW 12MW)
5	Seat	TFM1600™
6	Body Seal	PTFE
7	Stem Seal	SupraLon™

C8 MATERIALS RECOMMENDATIONS

Environment	Service	Max. Chlorine Conc. PPM of H2O	Recommendation for Ball & Stem Material
Clean (no Chlorine in the air)	Mid-Line	20 ppm	Monel Ball & Stem
		50 ppm	Hastelloy Ball, Monel Stem
		150 ppm	Hastelloy Ball & Stem
Chlorine Contaminated	Mid-Line	150 ppm	Hastelloy Ball & Stem
Chlorine	End of Line	150ppm	Hastelloy Ball & Stem

What do you need today?™



Series C8 Ball Valve

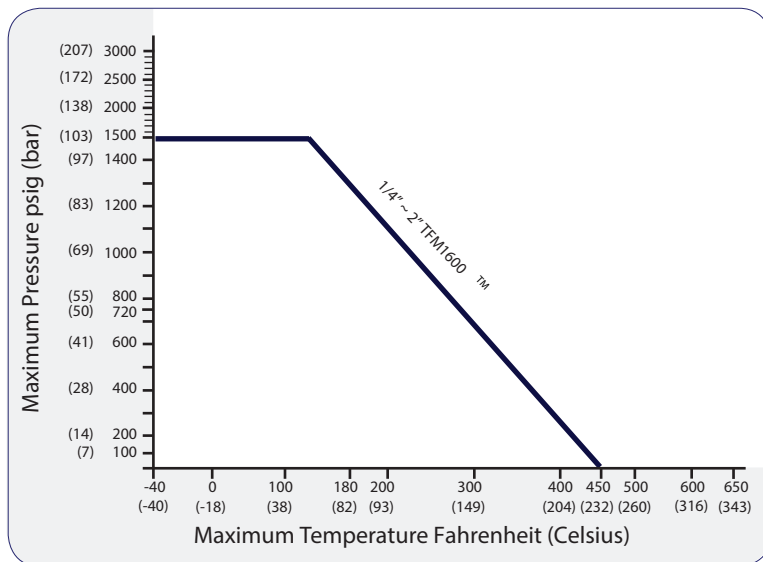
Three-Piece Chlorine Service Ball Valve
 Sizes 1/4" ~ 2"



DIMENSIONS, WEIGHT, C_v, TORQUE

Size	A		B		D		L		Weight		C _v	Torque** TFM1600™	
	in.	mm	in.	mm	in.	mm	in.	mm	lbs	kg		in-lbf	Nm
1/4" *	2.60	66	0.44	11	5	127	1.8	46	2	0.9	3	45	5
3/8" *	2.60	66	0.44	11	5	127	1.8	46	2	0.9	5	45	5
1/2"	2.60	66	0.44	11	5	127	1.8	46	2	0.9	8	45	5
3/4"	2.81	71	0.56	14	5	127	1.9	48	2	0.9	12	45	5
1"	3.70	94	0.81	21	6	152	2.4	61	4	1.8	32	100	11
1-1/4"	4.25	108	1.00	25	6	152	2.6	66	5	2.3	57	130	15
1-1/2"	4.57	116	1.25	32	7	178	3.2	81	7	3.2	80	280	32
2"	5.04	128	1.50	38	7	178	3.3	84	11	5.0	104	360	41

R8 - PRESSURE/TEMPERATURE CHART

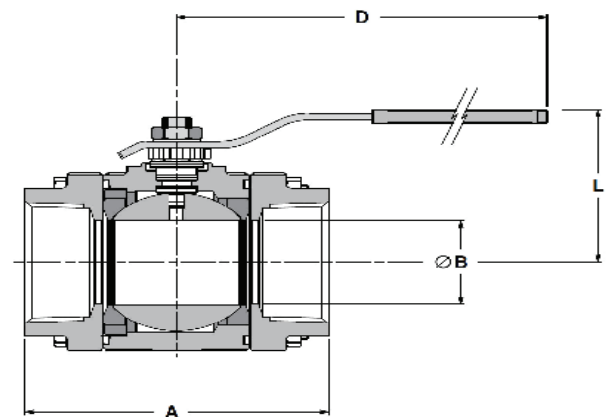


Class 600

Note: Maximum pressure & temperature is limited to the seat material rating

* 1/4" and 3/8" End Connections are Full Port

** At full differential pressure for clean fluids



Series C8 Ball Valve

Three-Piece Chlorine Service Ball Valve
 Sizes 1/4" ~ 2"



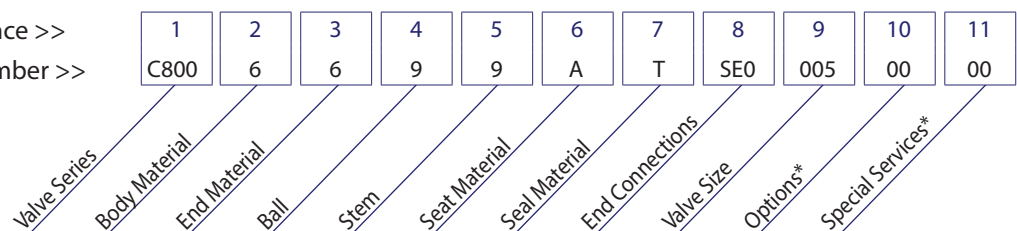
How To Order Guide (Columns 1 thru 11)

1 SERIES	2 BODY	3 ENDS	4 BALL	5 STEM	6 SEAT MATERIAL	7 BODY SEAL	8 END CONNECTIONS	9 VALVE SIZE	10 OPTIONS*	11 SPECIAL SERVICES*
C800	4 = Carbon Steel ASTM A216 WCB	4 = Carbon Steel ASTM A216 WCB	9 = Hastelloy ASTM A494 CW12MW 3 = Monel ASTM B164 N04400	9 = Hastelloy ASTM A494 CW12MW 3 = Monel ASTM B164 N04400	A = TFM1600™	T = PTFE	SE0 = Threaded Ends (FNPT) SW0 = Socket Weld Ends BW0 = Butt Weld Ends Schedule 40 wall (Standard) AAA = Threaded End X Socket Weld End AAB = Threaded End X Butt Weld (Sch-40) End AAD = Threaded End X Butt Weld (Sch-10) End	002 = 1/4" (Full Port) 003 = 3/8" (Full Port) 005 = 1/2" 007 = 3/4" 010 = 1" 012 = 1-1/4" 015 = 1-1/2" 020 = 2"	00 = None OH = Oval Handle LK = Locking Device SX = ISO Cast Stem Extension AD = Anti-Static Device AA = Oval Handle & Locking Device AB = Oval Handle & ISO Cast Stem Extension AC = Locking Device & Anti-Static Device AG = ISO Cast Stem Extension & Locking Device JA = Oval Handle, ISO Cast Stem Extension & Locking Device	00 = None

Order Example: (C8006699ATSE00050000) The Part Number will contain 20 digits.

Ordering Code Sequence >>

Sample Part Number >>



*Not all Options or Special Services available on all ball valves. Consult SVF for additional information.