

# Series L8 Ball Valve

Three-Piece Instrument Ball Valve  
Sizes 1/4" ~ 1"



The SVF Series L8 Ball Valves are compression-ended valves designed to be compatible with all of the leading instrument fittings. In addition to an integral ISO mounting pad, this high performance valve has a vast selection of seats and seals.

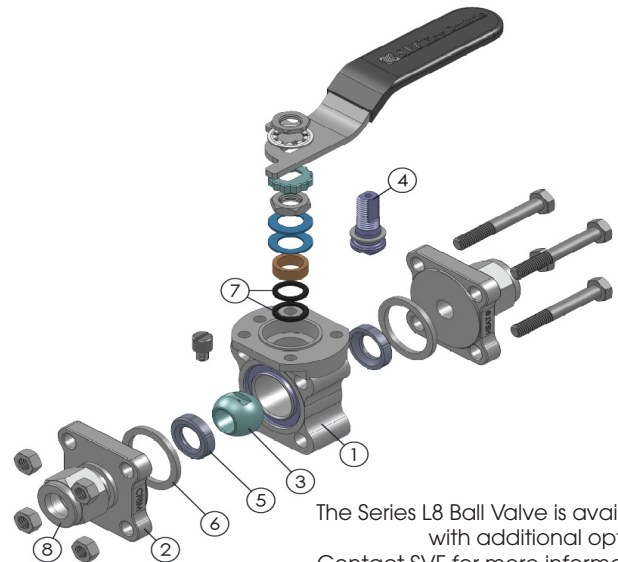
## SERIES L8 DESIGN FEATURES

- ✓ High performance design for process-quality applications
- ✓ Compression ends are compatible with all leading instrument fittings
- ✓ Live-loaded stem seal ensures seal-tight pressure containment even under thermal cycling
- ✓ Three-piece "swing out" design offers easy access for in-line maintenance
- ✓ ISO 5211 mounting pad for easy actuation
- ✓ Standard seat material is TFM1600™
- ✓ Blowout proof stem adds safety & reliability
- ✓ Full range of options to suit specific requirements



## MATERIALS OF CONSTRUCTION

ITEM	DESCRIPTION	MATERIALS SPECIFICATIONS
1	Body	316 Stainless Steel (ASTM A351 CF8M)
2	End Connector	316L Stainless Steel (ASTM A351 CF3M)
3	Ball	316 Stainless Steel (ASTM A351 CF8M)
4	Stem	316 Stainless Steel (ASTM A276 316) 17-4 pH Stainless Steel (ASTM A564 630)
5	Seat	TFM1600™, Delrin®, SupraLon™, PEEK
6	Body Seal	PTFE, Buna "N", SupraLon™, GRAFOIL®, Viton®, EPDM
7	Stem Seal	SupraLon™
8	Compression Fittings	316 Stainless Steel with silver plated threads



The Series L8 Ball Valve is available with additional options. Contact SVF for more information.

## SPECIFICATION STANDARDS OF COMPLIANCE

SVF Series L8 Ball Valves are available in designs that meet the following Industry Standards:

- ANSI
- ASME
- API
- DIN
- ISO
- MSS
- ASTM
- NACE

**\*Contact SVF for specific applications**



# Series L8 Ball Valve

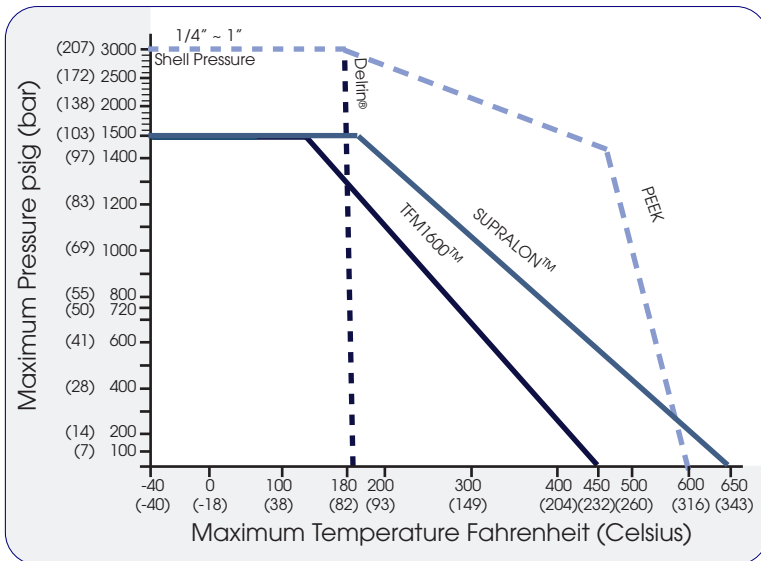
Three-Piece Instrument Ball Valve  
 Sizes 1/4" ~ 1"



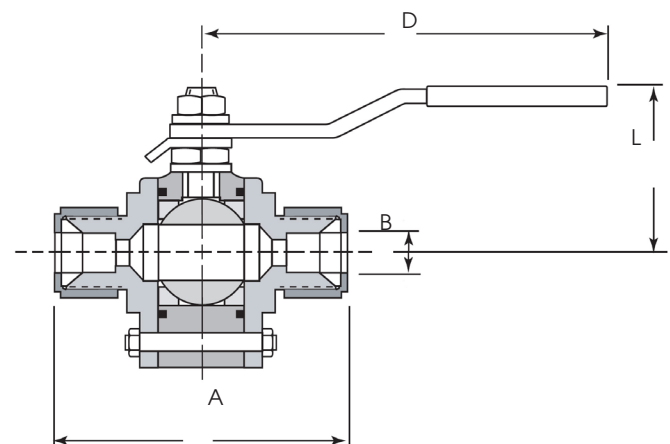
## DIMENSIONS, WEIGHT, Cv, TORQUE

Size	A		B		D		L		Weight		Cv	Torque* TFM1600™		Torque* SupraLon™		Torque* Delrin		Torque* PEEK	
	in.	mm	in.	mm	in.	mm	in.	mm	lbs	kg		in-lbf	Nm	in-lbf	Nm	in-lbf	Nm	in-lbf	Nm
1/4"	3.03	77	0.26	7	5.00	127	1.8	46	2	0.9	3	45	5	50	6	50	6	61	7
3/8"	3.11	79	0.38	10	5.00	127	1.8	46	2	0.9	5	45	5	50	6	50	6	61	7
1/2"	3.35	85	0.51	13	5.00	127	1.8	46	2	0.9	8	45	5	50	6	50	6	61	7
3/4"	3.74	95	0.76	19	5.00	127	1.9	48	2	0.9	12	45	5	50	6	60	7	130	15
1"	4.53	115	1.01	26	6.00	152	2.4	61	4	1.8	32	100	11	150	17	90	10	250	28

## L8 - PRESSURE/TEMPERATURE CHART



\*At full differential with clean fluids



**Class 1500** (Sizes: 1/4" to 1")

Note: Maximum pressure & temperature is limited to the seat material rating

# Series L8 Ball Valve

Three-Piece Instrument Ball Valve  
 Sizes 1/4" ~ 1"

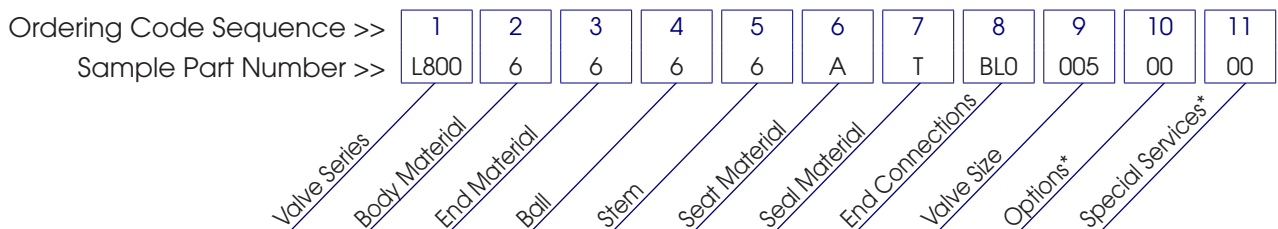


How To Order Guide (Columns 1 thru 11)

1 SERIES	2 BODY	3 ENDS	4 BALL	5 STEM	6 SEAT MATERIAL
L800*	6 = 316 Stainless Steel ASTM A351 CF8M	6 = 316L Stainless Steel ASTM A351 CF3M	6 = 316 Stainless Steel ASTM A351 CF8M	6 = 316 Stainless Steel ASTM A276 316 M = 17-4pH Stainless Steel ASTM A564 630	A = TFM1600™ D = Delrin** (1/4" - 2") S = SupraLon™ K = PEEK (1/4" - 2") (Requires 17-4 Stem - Code M)

7 BODY SEAL	8 END CONNECTIONS	9 VALVE SIZE	10 OPTIONS*	11 SPECIAL SERVICES*
T = PTFE B = Buna "N" U = UHMWPE V = Viton E = EPDM S = SupraLon	BLO = Compression Ends with Nuts and Ferrule	002 = 1/4" 003 = 3/8" 005 = 1/2" 007 = 3/4" 010 = 1"	00 = None OH = Oval Handle LK = Locking Device SX = ISO Cast Stem Extension AD = Anti-Static Device AA = Oval Handle & Locking Device AB = Oval Handle & ISO Cast Stem Extension AC = Locking Device & Anti-Static Device AG = ISO Cast Stem Extension & Locking Device JA = Oval Handle, ISO Cast Stem Extension & Locking Device JB = Oval Handle, ISO Cast Stem Extension & Anti-Static Device JE = Locking Device, ISO Cast Stem Extension & Anti-Static Device	00 = None XC = Oxygen Cleaned SF = Degreased (Silicone Free) UH = Vent/Relief Hole <sup>1</sup> AS = Ammonia Service HC = High Cycle Stem Kit VV = Vacuum & Searching Gas Stem Kit

Order Example: (L8006666ATBL00050000) The Part Number will contain 20 digits.



<sup>1</sup> Vent Hole is on the Upstream Side

\*Use Ordering Code L8A0 for TFM1600™ stem seals

\*\*Not all Options or Special Services available on all ball valves. Consult SVF for additional information.

\*\*\*Delrin Seats cannot be used for Oxygen Service