

Series MZ9B Ball Valve

Three-Way, Multi-Ported Ball Valve
Sizes 1/2" ~ 2"



The SVF Series MZ9B Multi-Ported ball valves are designed with positive shut-off on any of the three ports for superior performance in general purpose, plant-wide applications. The direct mount feature reduces the size and weight of traditional automated valves.

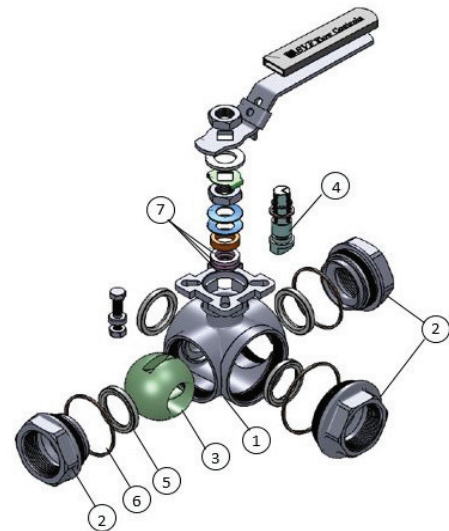
SERIES MZ9B DESIGN FEATURES

- ✓ Designed & built for economical performance
- ✓ Pressure rated for 1000 WOG
- ✓ Locking Handle is standard
- ✓ L-Port and T-Port options
- ✓ Threaded End Connection (FNPT)
- ✓ Positive shut-off on any of the three ports
- ✓ Full Port flow path for maximum flow
- ✓ Built In ISO 5211 mounting pad for easy "Direct Mount" actuation
- ✓ Anti-static stem device standard
- ✓ Blowout proof stem adds safety and reliability
- ✓ Complete 316 Stainless Steel construction



MATERIALS OF CONSTRUCTION

ITEM	DESCRIPTION	MATERIALS SPECIFICATIONS
1	Body	316 Stainless Steel (ASTM A351 CF8M)
2	End Connector	316L Stainless Steel (ASTM A351 CF8M)
3	Ball	316 Stainless Steel (ASTM A351 CF8M)
4	Stem	316 Stainless Steel (ASTM A276 316)
5	Seat	RTFE
6	Body Seal	PTFE
7	Stem Seal	PTFE



MZ9B SERIES FOR AUTOMATION

MZ9B valves feature direct mounting for pneumatic or electric automation. This feature reduces the cost, additional size and weight of valves requiring a mounting adapter kit.

What do you need today?™



Series MZ9B Ball Valve

Three-Way, Multi-Ported Ball Valve

Sizes 1/2" ~ 2"

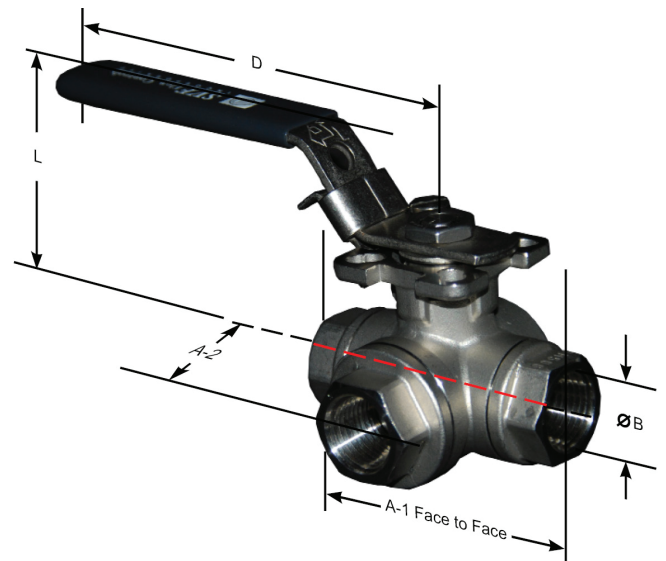
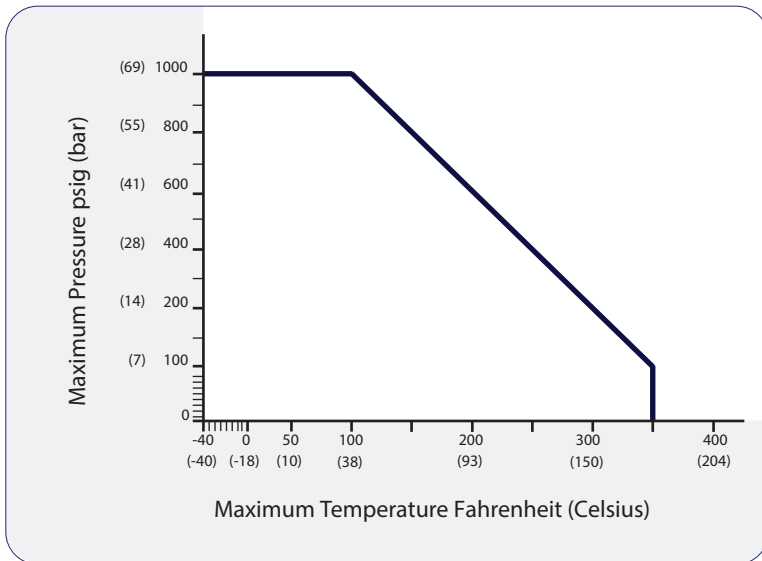


DIMENSIONS, WEIGHT, C_v, TORQUE

Size	A1		A2		B		D		L		Weight		C _v	Torque* PTFE	
	in.	mm	in.	mm	in.	mm	in.	mm	in.	mm	lbs	kg		in-lbf	Nm
1/2"	3.39	86	1.73	44	0.63	16	4.84	123	2.91	74	3	1.36	14	118	13
3/4"	3.90	99	1.89	48	0.79	20	6.02	153	3.43	87	4	1.81	18	180	20
1"	4.61	117	2.24	57	0.98	25	6.02	153	3.66	93	5	2.27	43	217	25
1-1/2"	5.83	148	2.91	74	1.50	38	7.20	183	4.69	119	13	5.90	90	384	44
2"	6.69	170	3.35	85	1.97	50	9.69	246	5.00	127	20	9.07	160	526	59

*At full differential with clean fluids

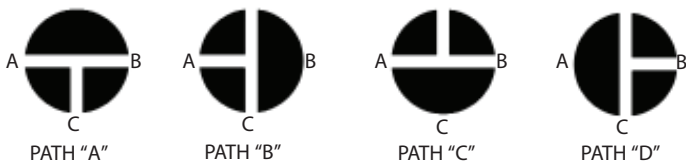
MZ9B - PRESSURE/TEMPERATURE CHART



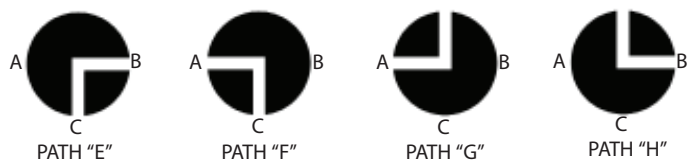
Class 400

Note: Maximum pressure & temperature is limited to the seat material rating

T-PORT FLOW PATHS:



L-PORT FLOW PATHS:



Series MZ9B Ball Valve

Three-Way, Multi-Ported Ball Valve

Sizes 1/2" ~ 2"



How To Order Guide (Columns 1 thru 11)

1	2	3	4	5	6
SERIES	BODY	ENDS	BALL	STEM	SEAT MATERIAL
MZ9B	6 = 316 Stainless Steel ASTM A351 CF8M	6 = 316L Stainless Steel ASTM A351 CF8M	6 = 316 Stainless Steel ASTM A351 CF8M	6 = 316 Stainless Steel ASTM A276 316	T = PTFE

7	8	9	10	11
BODY SEAL	END CONNECTIONS	VALVE SIZE	OPTIONS	SPECIAL SERVICES
T = PTFE	SE0 = Screwed Ends (FNPT)	005 = 1/2" 007 = 3/4" 010 = 1" 015 = 1-1/2" 020 = 2"	T1 = T-Port Ball L1 = L-Port Ball	00 = None

Order Example: (MZ9B6666TTSE0015T100) The Part Number will contain 20 digits.

Ordering Code Sequence >>

Sample Part Number >>

