

GEAR OPERATOR

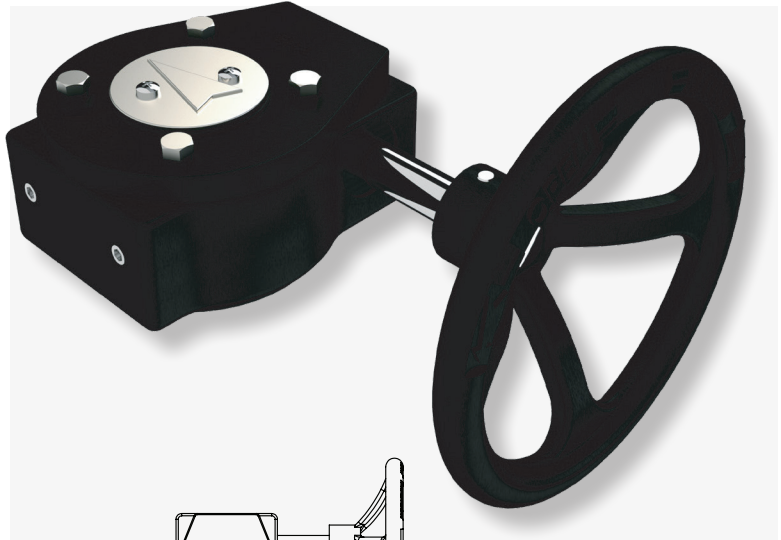
Quarter Turn Manual Gear Operator



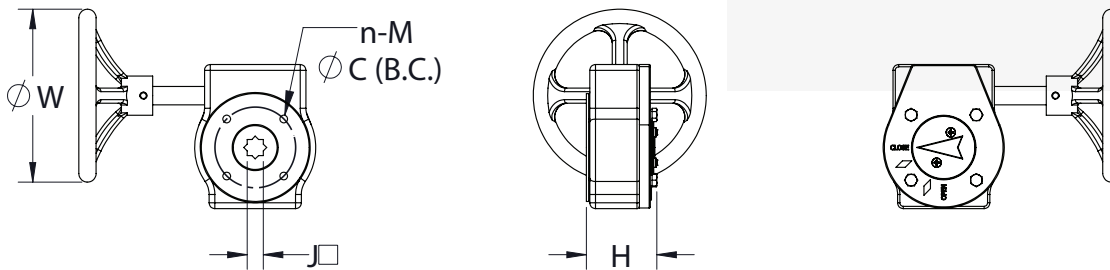
The SVF Gear Operator features a rugged, industrial grade design suitable for all general industrial applications. Complimented with ISO 5211 mounting, SVF Gear Operators can be added to any application with a direct mounting pad.

GEAR OPERATOR DESIGN FEATURES

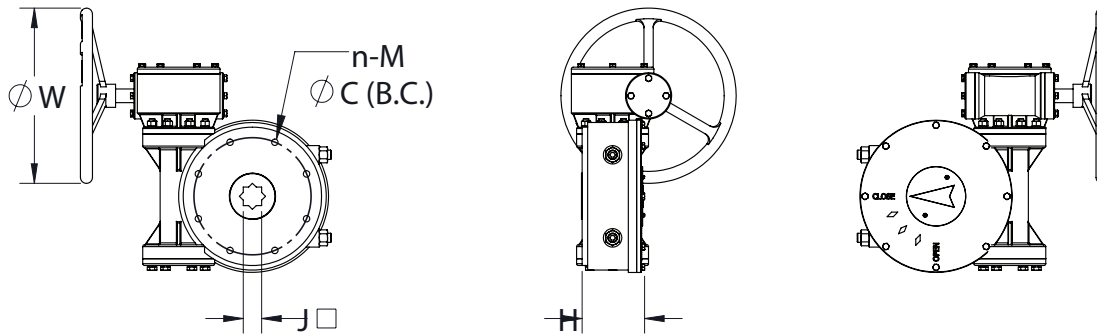
- ✓ Powder Coated Exterior Finish
- ✓ ISO 5211 Mounting
- ✓ Chainwheels available upon request



G2M14-F07 AND G2M22-F10:



G2M32-F14 AND G2M40-F25:



PART NUMBERS AND DIMENSIONS:

Part Number	H		ØW		ØC		J		n-M	ISO	Input Torque		Output Torque	
	in.	mm	in.	mm	in.	mm	in.	mm			in-lbf	Nm	in-lbf	Nm
G2M14-F07	2.44	62	5.91	150	2.76	70	0.55	14	4-M8	F07	266	30	1505	170
G2M22-F10	3.35	85	11.81	300	4.02	102	0.87	22	4-M12	F10	885	100	10,621	1200
G2M32-F14	5.20	132	14.96	380	5.51	140	1.26	32	4-M16	F14	504	57	26,552	3000
G2M40-F25	5.47	139	14.96	380	10.00	254	1.57	40	8-M16	F25	566	64	35,403	4000