

Series 500F Gate Valve

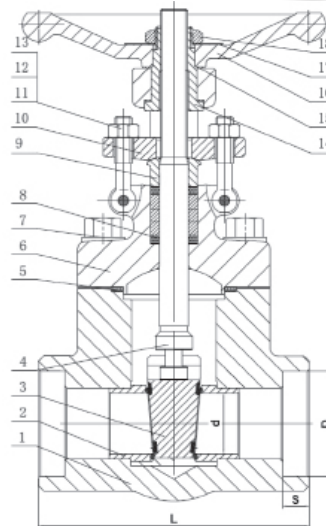
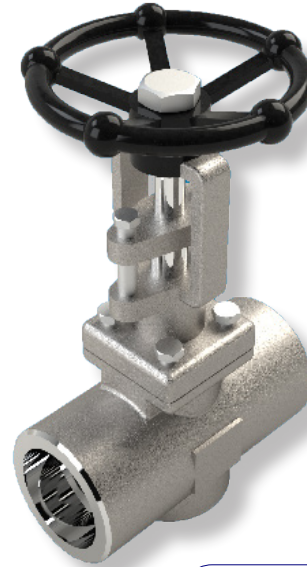
Sizes 1/4" ~ 2"

SERIES 500F DESIGN FEATURES

- ✓ Stainless Steel
- ✓ Class 800
- ✓ Maximum Pressure 1975 psi
- ✓ Maximum Temperature 850°F
- ✓ Bolted bonnet
- ✓ API 602 compliant
- ✓ Standard NACE MRO175

MATERIALS OF CONSTRUCTION

No.	Part	Material Stainless
1	Body	F316L
2	Seat	F316L
3	Wedge	F316L
4	Stem	F316L
5	Gasket	SS16 Flexible Graphite
6	Bonnet	F316L
7	Bolt	B8M
8	Packing	Graphite
9	Bolt	F316L
10	Pkg press plate	F316L
11	Pin	304
12	Gland Eyebolt	B8M
13	Hex Nut	8M
14	Stem Nut	1035
15	Washer	410
16	Handwheel	A197
17	Name Plate	AL
18	Adjusting Nut	CS



DIMENSIONS

Size-NPT	L	D	d	S
1/4"	3.11	0.56	0.28	0.38
3/8"	3.11	0.69	0.41	0.38
1/2"	3.11	0.86	0.41	0.38
3/4"	3.62	1.07	0.53	0.50
1"	4.37	1.33	0.71	0.50
1-1/4"	4.73	1.68	0.91	0.50
1-1/2"	4.73	1.92	1.14	0.50
2"	5.52	2.41	1.42	0.63

How to order 500F Series Gate Valves

Series	Material	Ends	Sizes
500F	SS-Stainless Steel	T-Threaded	01-1/4"*
		W-Socket Weld	02-3/8"*
			03-1/2"
		04-3/4"	
		05-1"	
		06-1-1/4"	
		07-1-1/2"	
		08-2"	

Sample Part #: 500ST05

