

Series L6 Ball Valve

Two-Piece Instrument Ball Valve

Sizes 1/4" ~ 1"



The SVF Series L6 Ball Valves are compression-ended valves designed to be compatible with all of the leading instrument fittings. The L6 is an economical, manually operated valve that meets industry requirements for performance and dependability.

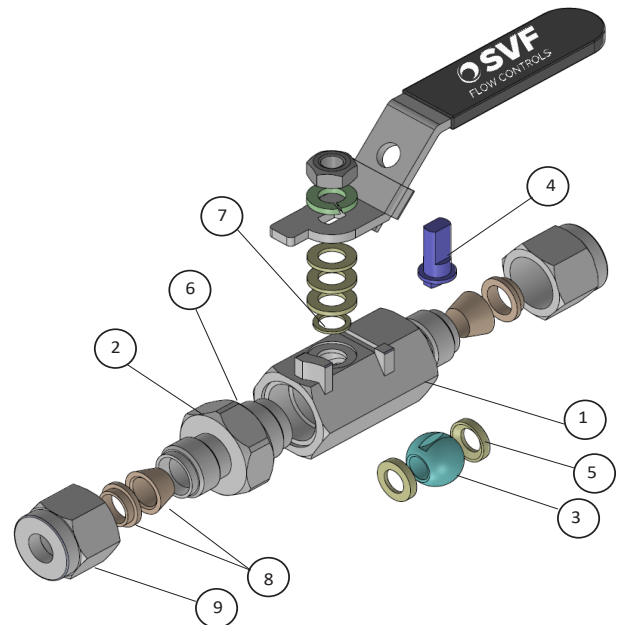
SERIES L6 DESIGN FEATURES

- ✓ Designed & built for economical performance
- ✓ Pressure rated for 2000 WOG
- ✓ 316 Stainless Steel body, ball and stem
- ✓ Compression Ends with Nuts and Ferrule
- ✓ Vinyl grip handle
- ✓ Blowout proof stem adds safety & reliability
- ✓ Lockable in the "Open" or "Closed" position



MATERIALS OF CONSTRUCTION

ITEM	DESCRIPTION	MATERIALS SPECIFICATIONS
1	Body	316 Stainless Steel (ASTM A351-CF8M)
2	End Connector	316 Stainless Steel (AISI 316)
3	Ball	316 Stainless Steel (AISI 316)
4	Stem	316 Stainless Steel (AISI 316)
5	Seat	TFM1600™
6	Body Seal	PTFE
7	Stem Seal	PTFE
8	Ferrule (Set)	316 Stainless Steel (AISI 316)
9	Nut	316 Stainless Steel (AISI 316)



What do you need today?™



Series L6 Ball Valve

Two-Piece Instrument Ball Valve

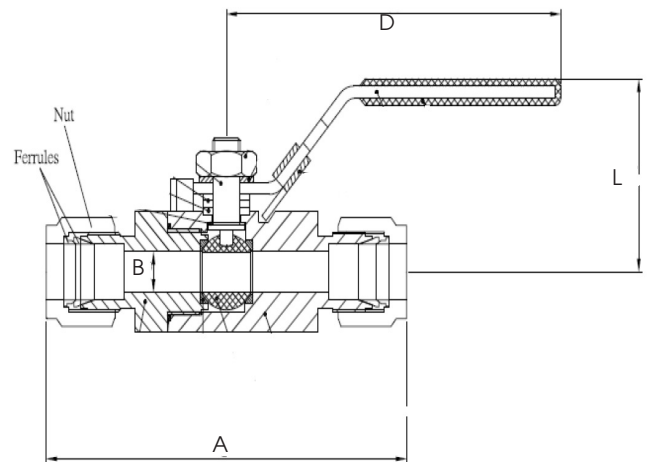
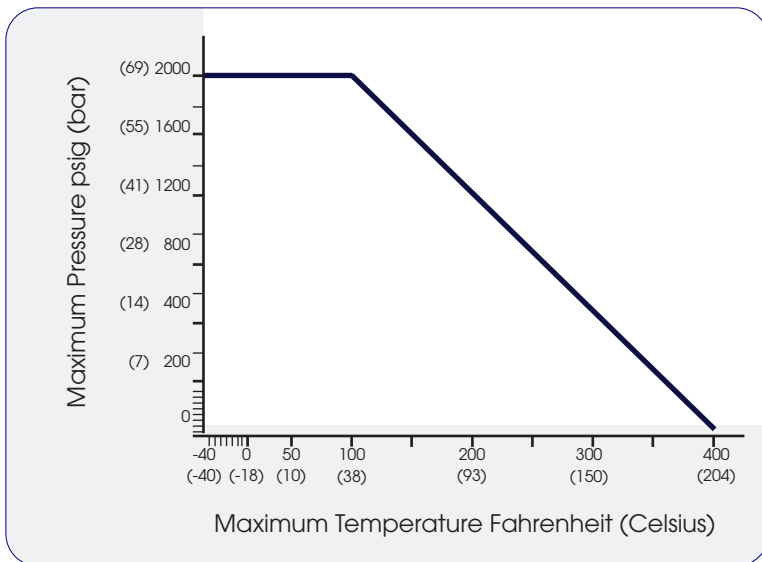
Sizes 1/4" ~ 1"



DIMENSIONS, WEIGHT, CV

Size	A		B		D		L		Weight		Cv	Torque*	
	in.	mm	in.	mm	in.	mm	in.	mm	lbs	kg		in-lbf	Nm
1/4"	2.83	72	0.20	5	2.66	67.5	1.02	26	0.24	0.11	1.1	18	2
3/8"	3.15	80	0.28	7	3.05	77.5	1.18	30	0.37	0.17	2.2	18	2
1/2"	3.74	95	0.36	9.2	3.74	95	1.50	38	0.66	0.30	4.4	27	3
3/4"	4.13	105	0.49	12.5	3.74	95	1.65	42	1.10	0.50	9	35	4
1"	4.92	125	0.59	15	4.45	113	1.81	46	1.90	0.86	13	44	5

L6 - PRESSURE/TEMPERATURE CHART



Class 900

Note: Maximum pressure & temperature is limited to the seat material rating

Series L6 Ball Valve

Two-Piece Instrument Ball Valve

Sizes 1/4" ~ 1"



How To Order Guide (Columns 1 thru 11)

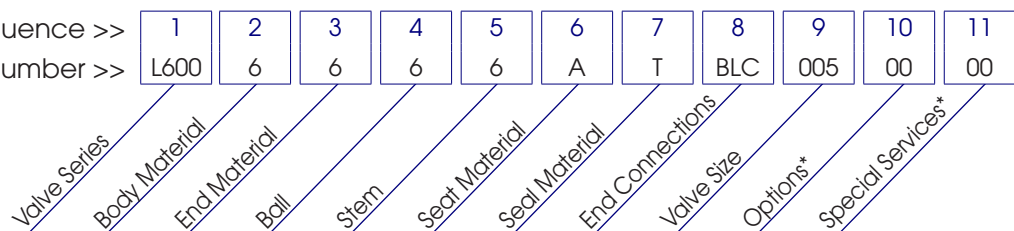
1 SERIES	2 BODY	3 ENDS	4 BALL	5 STEM	6 SEAT MATERIAL
L600*	6 = 316 Stainless Steel ASTM A351 CF8M	6 = 316 Stainless Steel AISI 316	6 = 316 Stainless Steel AISI 316	6 = 316 Stainless Steel AISI 316	A = TFM1600™

7 BODY SEAL	8 END CONNECTIONS	9 VALVE SIZE	10 OPTIONS*	11 SPECIAL SERVICES*
T = PTFE	BLC = Compression Ends with Nuts and Ferrule	002 = 1/4" 003 = 3/8" 005 = 1/2" 007 = 3/4" 010 = 1"	00 = None	00 = None XC = Oxygen Cleaned SF = Degreased (Silicone Free)

Order Example: (L6006666ATBLC0050000) The Part Number will contain 20 digits.

Ordering Code Sequence >>

Sample Part Number >>



*Not all Options or Special Services available on all ball valves. Consult SVF for additional information.