

Series P4 Ball Valve

Three-Piece High Pressure Ball Valve
 Sizes 1/2" ~ 1"



The SVF Series P4 high pressure ball valve is designed to meet applications up to 5000 psi (1/2" rated at 5500 psi). The P4 features a carbon or stainless steel body and is available in a variety of alloy materials. This engineered valve adds safety and reliability to high pressure systems and applications in Offshore, Oil and Gas, Petrochemical, Power and Refining.

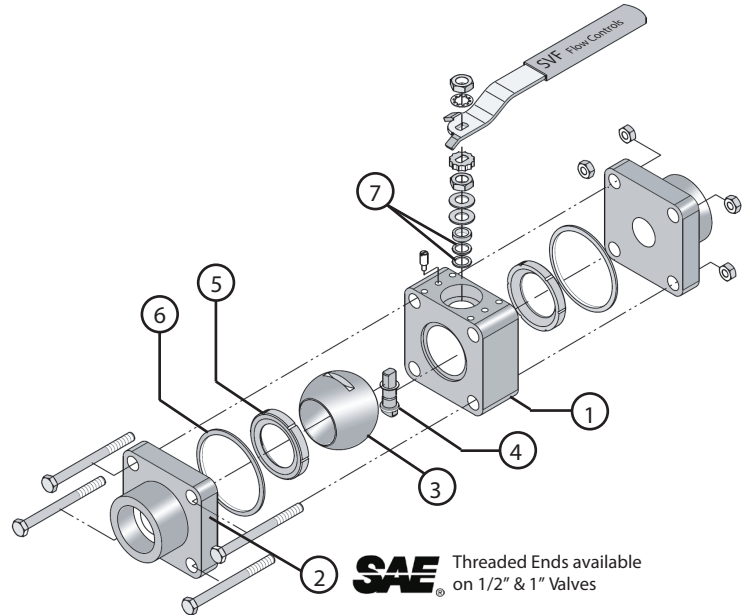
SERIES P4 DESIGN FEATURES

- ✓ High performance design for process-quality applications
- ✓ High pressure ball valve rated up to 5000 psi (1/2" rated up to 5500 psi)
- ✓ Live-loaded stem seal ensures seal-tight pressure containment even under thermal cycling
- ✓ Three-piece "swing out" design offers easy access for in-line maintenance
- ✓ Standard seat material is Delrin
- ✓ Blowout proof stem adds safety & reliability
- ✓ SAE Threaded Ends available (SAE Specification J1926) - Sizes 1/2" to 1"



MATERIALS OF CONSTRUCTION

ITEM	DESCRIPTION	MATERIALS SPECIFICATIONS
1	Body	316 Stainless Steel (ASTM A351 CF8M) Carbon Steel (ASTM A216 WCB)
2	End Connector	316 Stainless Steel (ASTM A351 CF8M) Carbon Steel (ASTM A216 WCB)
3	Ball	316 Stainless Steel (ASTM A351- CF8M)
4	Stem	17-4 pH Stainless Steel (ASTM A564 630)
5	Seat	Delrin [®] , PEEK
6	Body Seal	Buna "N", Viton [®] , EPDM
7	Stem Seal	SupraLon [™]



SPECIFICATION STANDARDS OF COMPLIANCE

SVF Series HBEV Ball Valves are available in designs that meet the following Industry Standards:

- ANSI
- SAE
- DIN
- ASME
- NACE
- ISO
- API
- ASTM
- MSS

Contact SVF for specific applications

What do you need today?[™]



Series P4 Ball Valve

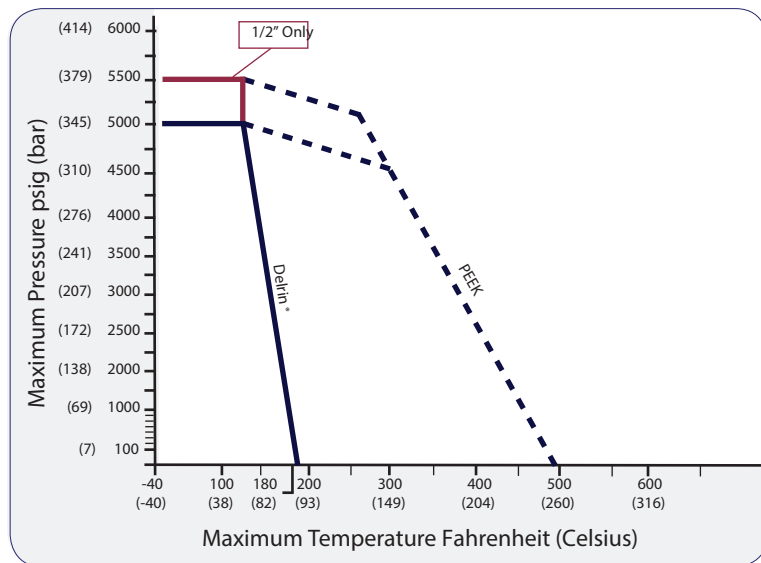
Three-Piece High Pressure Ball Valve
 Sizes 1/2" ~ 1"



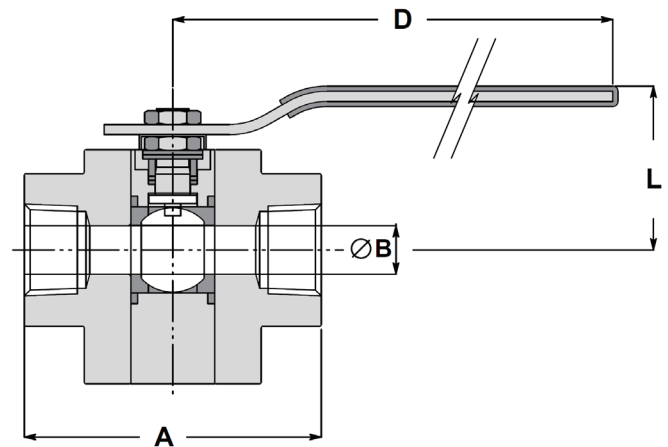
DIMENSIONS, WEIGHT, C_v, TORQUE

Size	A		B		D		L		Weight		C _v	Torque* Delrin		Torque* PEEK	
	in.	mm	in.	mm	in.	mm	in.	mm	lbs	kg		in-lbf	Nm	in-lbf	Nm
1/2"	3.06	77	0.44	11	5.0	127	1.7	43	2	0.9	8	55	6	61	7
3/4"	3.34	85	0.56	14	5.0	127	1.9	48	3	1.4	12	190	21	209	24
1"	4.25	108	0.81	21	6.0	152	2.4	61	5	2.3	32	290	33	300	34

P4 - PRESSURE/TEMPERATURE CHART



* At full differential pressure for clean fluids



Class 1500

Note: Maximum pressure & temperature is limited to the seat material rating

Series P4 Ball Valve

Three-Piece High Pressure Ball Valve
 Sizes 1/2" ~ 1"



How To Order Guide (Columns 1 thru 11)

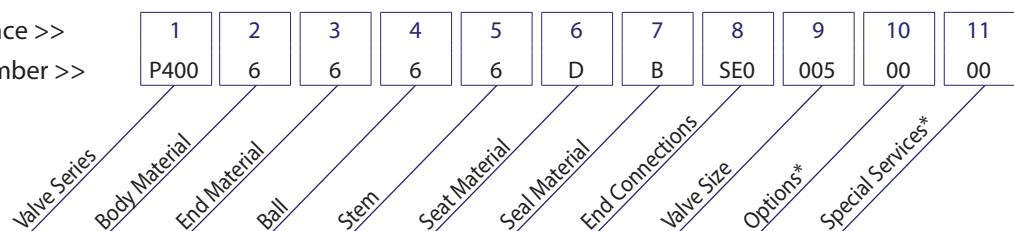
1	2	3	4	5	6
SERIES	BODY	ENDS	BALL	STEM	SEAT MATERIAL
P400	4 = Carbon Steel ASTM A216 WCB 6 = 316 Stainless Steel ASTM A351 CF8M	4 = Carbon Steel ASTM A216 WCB 6 = 316L Stainless Steel ASTM A351 CF3M	6 = 316 Stainless Steel ASTM A351 CF8M	M = 17-4pH Stainless Steel ASTM A564 630	D = Delrin K = PEEK

7	8	9	10	11
BODY SEAL	END CONNECTIONS	VALVE SIZE	OPTIONS*	SPECIAL SERVICES*
B = Buna "N" V = Viton E = EPDM	SE0 = Threaded Ends (FNPT) SW0 = Socket Weld Ends SAE = Threaded Ends per SAE Specification J1926 (Sizes 1/2" to 1") AAA = Threaded End (FNPT) X Socket Weld End AAP = Threaded End (SAE) X Socket Weld End (Sizes 1/2" to 1")	005 = 1/2" 007 = 3/4" 010 = 1"	00 = None LK = Locking Device AD = Anti-Static Device AC = Locking Device & Anti-Static Device	00 = None UH = Vent/Relief Hole ¹ HC = High Cycle Stem Kit

Order Example: (P4006666DBSE00050000) The Part Number will contain 20 digits.

Ordering Code Sequence >>

Sample Part Number >>>



¹ Vent Hole is on the Upstream Side

*Not all Options or Special Services available on all ball valves. Consult SVF for additional information.