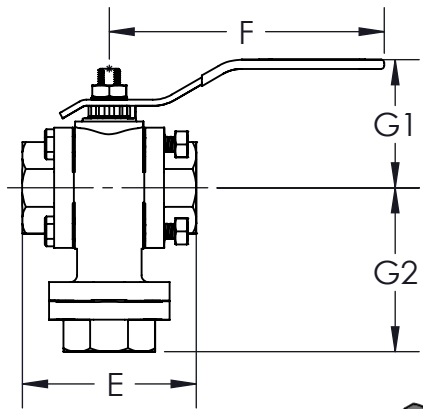
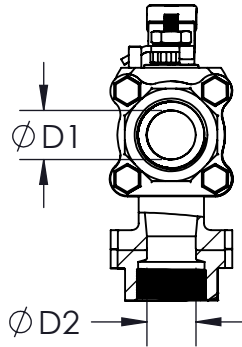
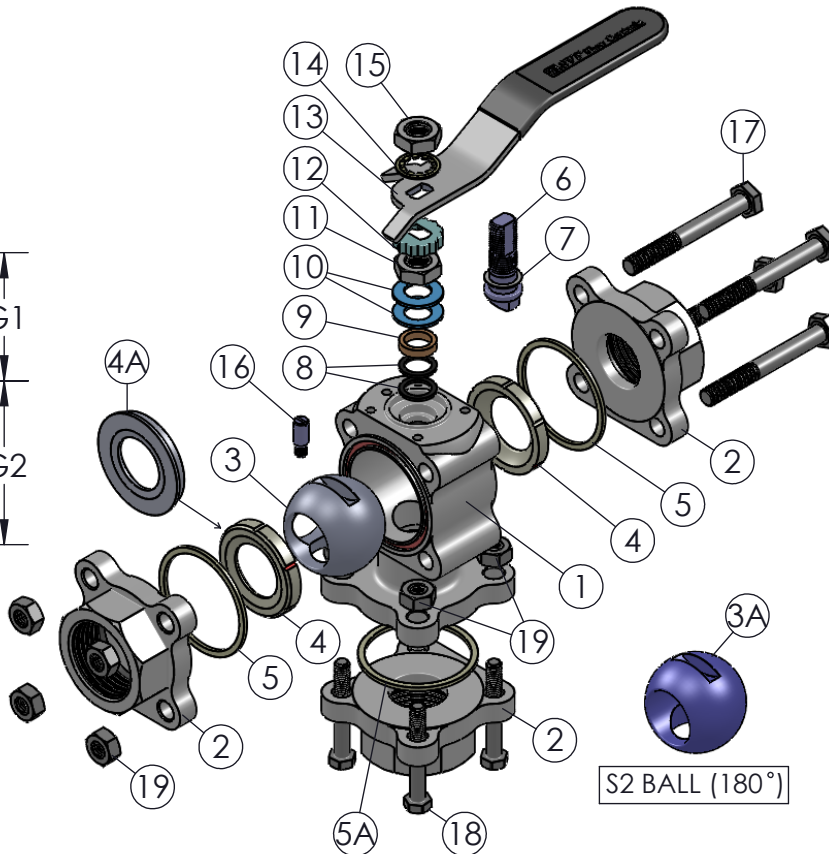
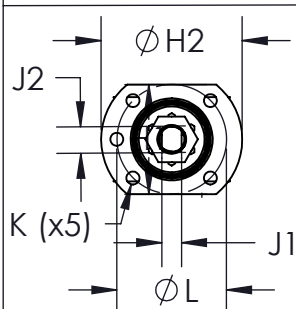
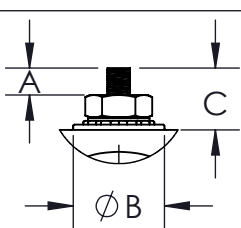


\* FULL PORT VALVES  
 \*\* AT FULL DIFFERENTIAL PRESSURE FOR CLEAN FLUIDS WITH TFM1600 SEATS

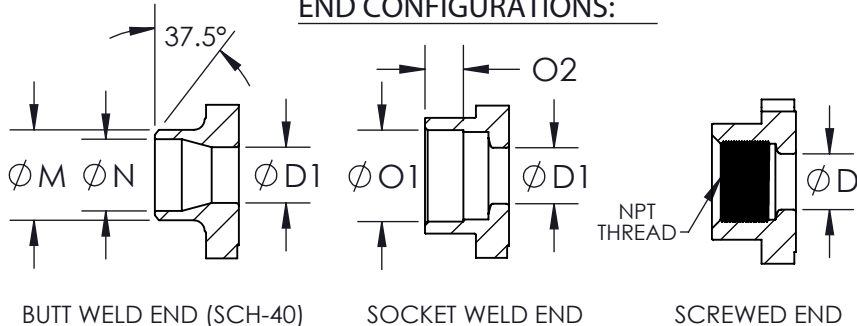
SIZE	A	øB	C	øD1	øD2	E	F	G1	G2	H1	øH2	J1	J2	K	øL	øM	øN	øO1	O2	NPT THREAD	ISO 5211	WEIGHT (lbs)	Cv	TORQUE** (in-lb)	BODY BOLT SIZE	BODY NUT SIZE
1/4" **	0.21 (5)	1.0 (25)	0.37 (9)	0.41 (10)	0.38 (10)	2.60 (66)	5.0 (127)	1.8 (46)	2.75 (70)	1.5 (38)	1.8 (46)	0.22 (6)	0.37 (9)	M5-0.8	1.42 (36)	0.54 (14)	0.36 (9)	0.56 (14)	0.44 (11)	1/4"-18NPT	F03	2	3	45	M6-1.0 X 45	M6-1.0P
3/8" **	0.21 (5)	1.0 (25)	0.37 (9)	0.41 (10)	0.38 (10)	2.60 (66)	5.0 (127)	1.8 (46)	2.75 (70)	1.5 (38)	1.8 (46)	0.22 (6)	0.37 (9)	M5-0.8	1.42 (36)	0.68 (17)	0.49 (12)	0.69 (18)	0.44 (11)	3/8"-18NPT	F03	2	3	45	M6-1.0 X 45	M6-1.0P
1/2"	0.21 (5)	1.0 (25)	0.37 (9)	0.41 (10)	0.38 (10)	2.60 (66)	5.0 (127)	1.8 (46)	2.75 (70)	1.5 (38)	1.8 (46)	0.22 (6)	0.37 (9)	M5-0.8	1.42 (36)	0.84 (21)	0.62 (16)	0.86 (22)	0.44 (11)	1/2"-14NPT	F03	2	5	45	M6-1.0 X 45	M6-1.0P
3/4"	0.23 (6)	1.0 (25)	0.37 (9)	0.56 (14)	0.47 (12)	2.81 (71)	5.0 (127)	1.9 (48)	2.75 (70)	1.5 (38)	1.8 (46)	0.22 (6)	0.37 (9)	M5-0.8	1.42 (36)	1.05 (27)	0.82 (21)	1.07 (27)	0.56 (14)	3/4"-14NPT	F03	2	5	45	M6-1.0 X 50	M6-1.0P
1"	0.34 (9)	1.2 (30)	0.70 (18)	0.82 (21)	0.63 (16)	3.70 (94)	6.0 (152)	2.4 (61)	3.45 (88)	1.7 (43)	2.1 (53)	0.30 (8)	0.43 (11)	M5-0.8	1.65 (42)	1.32 (34)	1.05 (27)	1.33 (34)	0.56 (14)	1"-11.5NPT	F04	4	10	100	M8-1.25 X 65	M8-1.25P
1-1/2"	0.40 (10)	1.4 (36)	1.18 (30)	1.25 (32)	1.05 (27)	4.57 (116)	7.0 (178)	3.2 (81)	4.27 (108)	2.1 (53)	2.6 (66)	0.34 (9)	0.56 (14)	M6-1.0	1.97 (50)	1.90 (48)	1.61 (41)	1.92 (49)	0.53 (13)	1-1/2"-11.5NPT	F05	7	27	280	M10-1.5 X 85	M10-1.5P
2"	0.40 (10)	1.4 (36)	1.18 (30)	1.50 (38)	1.38 (35)	5.04 (128)	7.0 (178)	3.3 (84)	4.50 (114)	2.1 (53)	2.6 (66)	0.34 (9)	0.56 (14)	M6-1.0	1.97 (50)	2.38 (60)	2.07 (53)	2.41 (61)	0.68 (17)	2"-11.5NPT	F05	11	36	360	M10-1.5 X 95	M10-1.5P



**TOPWORKS**



**END CONFIGURATIONS:**



**PRODUCT INFORMATION:**

- 1. END CONNECTIONS AVAILABLE IN: SCREWED (FNPT), SOCKET WELD, BUTT WELD, SCREWED x SOCKET WELD, SCREWED x BUTT WELD (SCH-40 OR SCH-10)
- 2. SERVICES INCLUDE: OXYGEN CLEANING AND DEGREASING
- 3. ALL STAINLESS STEEL PASSIVATED
- 4. MANGANESE PHOSPHATE COATING ON WCB CARBON STEEL
- 5. COMPLETE VALVE AUTOMATION

**OPTIONS :**

- 1. OVAL HANDLE
- 2. LOCKING DEVICE
- 3. ISO STEM EXTENSION
- 4. ANTI-STATIC DEVICE

**APPLICABLE STANDARDS:**

- 1. ASME B1 6.34: DESIGN
- 2. API 598: INSPECTION AND TESTING
- 3. ISO 5211: MOUNTING
- 4. ANSI B1.20.1: NPT
- 5. ANSI B16.11: FORGED STEEL FITTINGS, SOCKET-WELDING
- 6. ANSI B16.25: BUTT WELD ENDS
- 7. CGA G-4.1: CLEANING FOR OXYGEN SERVICE
- 8. USP CLASS VI: CONFIRMATION OF COMPLIANCE (TFM1600/PTFE MATERIAL)

ITEM NO.	DESCRIPTION	MATERIALS	QTY.
1	BODY	A351-CF8M A216-WCB A351-CN7M A494 CW-12MW	1
2	END	A351-CF3M A216-WCB A351-CN7M A494 CW-12MW	3
3	S1 BALL (90°)	A351-CF8M A351-CN7M B164-N0440 A494 CW-12MW	1
3A	S2 BALL (180°)	A351-CF8M A351-CN7M B164-N0440 A494 CW-12MW	1
4	SEAT (SERIES D8)	TFM1600 DELRIN UHMWPE PEEK SUPRALON	2
4A	SEAT (SERIES T7)	(NO OTHER SEAT OPTION AVAILABLE FOR SERIES T7)	2
5	BODY SEAL (SERIES D8)	PTFE UHMWPE BUNA"N" VITON EPDM GRAFOIL SUPRALON	3
5A	BODY SEAL (SERIES T7)	PTFE GRAFOIL SUPRALON	3
6	STEM	A276-316 A351-CN7M B164-N0440 A494 CW-12MW	1
7	STEM THRUST WASHER	SUPRALON DELRIN PEEK UHMWPE	1
8	STEM SEAL	SUPRALON UHMWPE	2
9	GLAND FOLLOWER	304 STAINLESS STEEL	1
10	BELLEVILLE WASHER	17-7PH STAINLESS STEEL	2
11	JAM NUT	304 STAINLESS STEEL	1
12	LOCK TAB	304 STAINLESS STEEL	1
13	LEVER HANDLE	304 STAINLESS STEEL	1
14	SERRATED LOCK WASHER	304 STAINLESS STEEL	1
15	HANDLE NUT	304 STAINLESS STEEL	1
16	STOP PIN	304 STAINLESS STEEL	1
17	BODY BOLT	304 STAINLESS STEEL	4
18	BOTTOM BOLT	304 STAINLESS STEEL	4
19	BODY NUT	304 STAINLESS STEEL	8

DRAWN BY E.P. DATE 04/04/2017  
 CHECKED BY E.G. DATE 03/22/2018  
 APPROVED BY J.S. DATE 03/22/2018  
(FOR REF ONLY IF NOT APPROVED)

THE INFORMATION CONTAINED IN THIS DRAWING IS THE SOLE PROPERTY OF SVF FLOW CONTROLS, INC. ANY REPRODUCTION IN PART OR IN WHOLE WITHOUT THE WRITTEN CONSENT OF SVF FLOW CONTROLS, INC. IS PROHIBITED.

PROJECTION THIRD ANGLE

**OSVF FLOW CONTROLS**

DESCRIPTION: 1/4" - 3/8" D8/17 3-PIECE DIVERTER BALL VALVE, FULL PORT & 1/2" - 2" D8/17 3-PIECE DIVERTER BALL VALVE, STANDARD PORT

UNITS: INCH (MILLIMETERS) DATE: 03/22/2018 REV: B