

Series 20BZ Ball Valve

Two-Piece Ball Valve, Full Port
Sizes 1/2" ~ 2"



The SVF 20BZ Series full port ball valves are designed for general purpose performance in a wide variety of utility applications. The 20BZ is an economical, manually operated valve that meets industry requirements for performance and dependability.

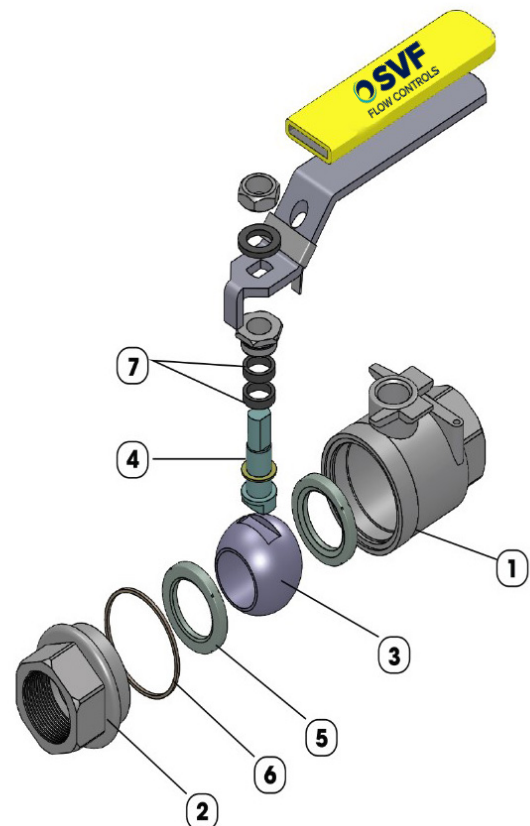
SERIES 20BZ DESIGN FEATURES

- ✓ Designed & built for economical performance
- ✓ Pressure rated for 600 WOG | 150 WSP
- ✓ Full Port flow path for maximum flow
- ✓ C83600 Bronze body and 304 Stainless steel ball and stem
- ✓ Threaded End Connections
- ✓ Vinyl grip handle
- ✓ Blowout proof stem adds safety & reliability
- ✓ Lockable in the "Open" or "Closed" position



MATERIALS OF CONSTRUCTION

ITEM	DESCRIPTION	MATERIALS SPECIFICATIONS
1	Body	Bronze C83600
2	End Connector	Bronze C83600
3	Ball	304 Stainless Steel
4	Stem	304 Stainless Steel
5	Seat	PTFE
6	Body Seal	PTFE
7	Stem Seal	PTFE



Series 20BZ Ball Valve

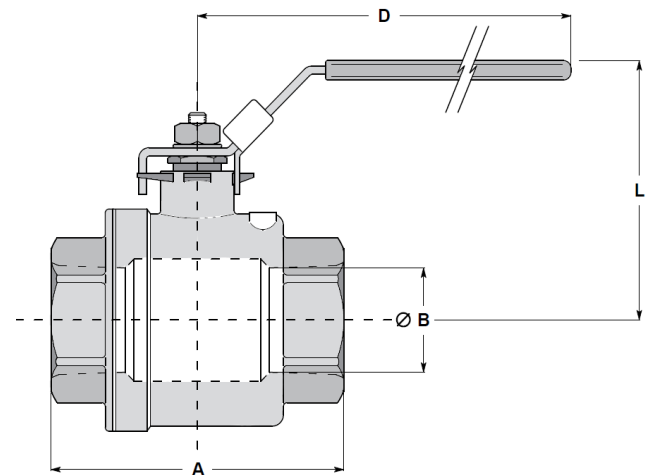
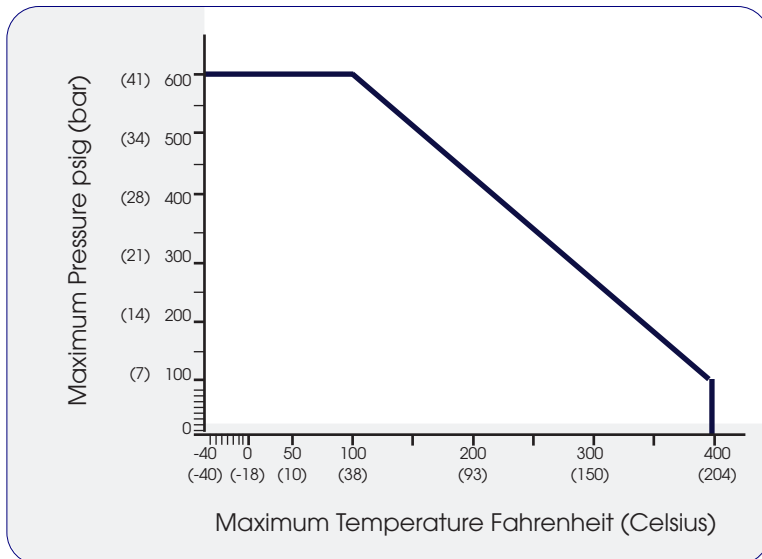
Two-Piece Ball Valve, Full Port
 Sizes 1/2" ~ 2"



DIMENSIONS, WEIGHT, CV

Size	A		B		D		L		Weight		Cv
	in.	mm	in.	mm	in.	mm	in.	mm	lbs	kg	
1/2"	2.20	56	0.59	15	3.98	101	2.20	56	0.51	0.23	11
3/4"	2.48	63	0.74	19	4.57	116	2.52	64	0.75	0.34	21
1"	2.95	75	0.94	24	4.57	116	2.72	69	1.12	0.51	35
1-1/4"	3.39	86	1.25	32	5.04	128	3.31	84	1.70	0.77	57
1-1/2"	3.74	95	1.57	40	6.54	166	3.85	98	2.75	1.25	80
2"	4.25	108	1.97	50	6.54	166	4.06	103	4.12	1.87	150

20BZ - PRESSURE/TEMPERATURE CHART



Class 300

Note: Maximum pressure & temperature is limited to the seat material rating

20BZ Series Part Numbers

Size	Part #	Size	Part #
1/2"	20BZTH03M	1 1/4"	20BZTH06M
3/4"	20BZTH04M	1-1/2"	20BZTH07M
1"	20BZTH05M	2"	20BZTH08M