

# Series BEV9B Ball Valve

Two-Piece Ball Valve, Full Port

Sizes 1/2" ~ 2"



The SVF Series BEV9B valves are designed for superior performance in general purpose, plant-wide applications. The direct-mount feature reduces the size and weight of traditional automated valves. BEV9B series features stem seal glands that can be adjusted on actuated valves without removing the actuator.

## SERIES BEV9B DESIGN FEATURES

- ✓ Designed & built for economical performance
- ✓ Pressure rated for 1,000 WOG
- ✓ Full Port flow path for maximum flow
- ✓ Anti-Static stem device standard
- ✓ Built-In ISO 5211 direct mounting pad for easy automation
- ✓ End connections include SE (Screwed Ends, FNPT)
- ✓ Blowout proof stem adds safety & reliability
- ✓ Adjustable stem seal gland
- ✓ Chevron (V-Ring) stem seals assures low friction and leak tight performance
- ✓ CSA Certified



## MATERIALS OF CONSTRUCTION

ITEM	DESCRIPTION	MATERIALS SPECIFICATIONS
1	Body	316 Stainless Steel (ASTM A351 CF8M)
2	End Connector	316 Stainless Steel (ASTM A351 CF8M)
3	Ball	316 Stainless Steel (ASTM A351 CF8M)
4	Stem	316 Stainless Steel (ASTM A276)
5	Seat	PTFE
6	Body Seal	PTFE
7	Stem Seal	PTFE



### BEV9B SERIES FOR AUTOMATION

BEV9B valves feature direct mounting for pneumatic or electric automation. This feature reduces the cost and additional size and weight of valves requiring a mounting adapter kit.

*What do you need today?*™



# Series BEV9B Ball Valve

Two-Piece Ball Valve, Full Port

Sizes 1/2" ~ 2"

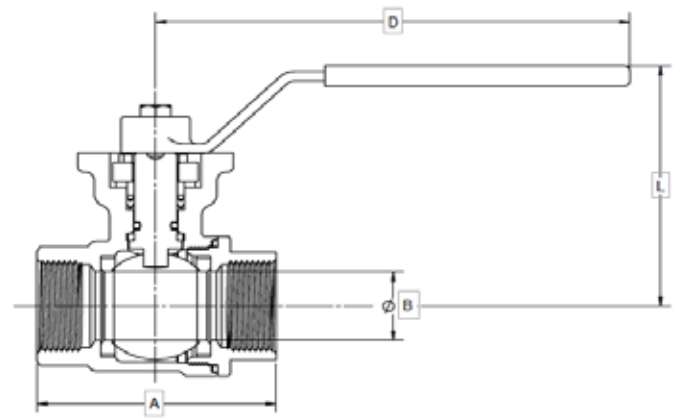
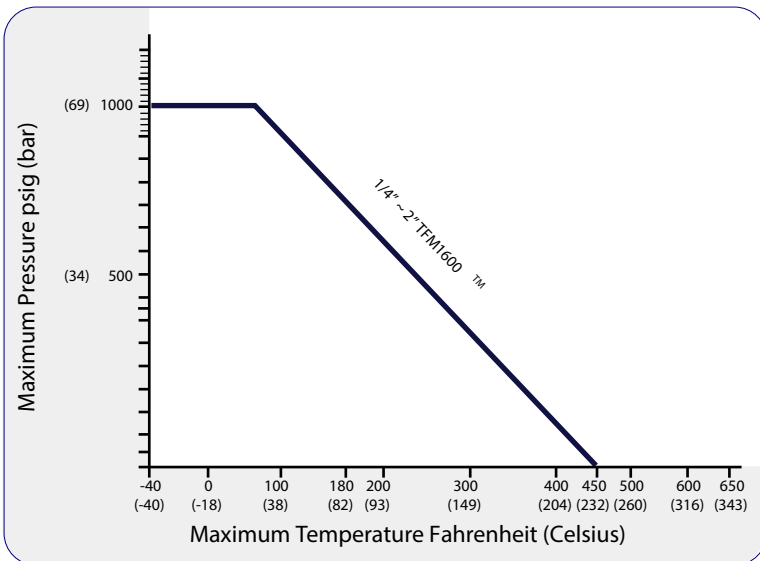


## DIMENSIONS, WEIGHT, C<sub>v</sub>, TORQUE

Size	A		B		D		L		Weight		C <sub>v</sub>	Torque* PTFE	
	in.	mm	in.	mm	in.	mm	in.	mm	lbs	kg		in-lbf	Nm
1/2"	2.28	58	0.59	15	4.92	125	2.91	74	1.0	0.45	10	44	5
3/4"	2.63	67	0.78	20	4.92	125	3.07	78	1.3	0.59	25	62	7
1"	3.07	78	0.98	25	6.10	155	3.5	89	2.0	0.91	35	112	13
1-1/2"	4.09	104	1.5	38	7.40	188	4.33	110	4.7	2.13	80	278	32
2"	4.96	126	1.97	50	7.4	188	4.64	118	6.9	3.13	110	322	37

\* At full differential pressure for clean fluids

## BEV9B - PRESSURE/TEMPERATURE CHART



Class 300

Note: Maximum pressure & temperature is limited to the seat material rating

# Series BEV9B Ball Valve

Two-Piece Ball Valve, Full Port

Sizes 1/2" ~ 2"



How To Order Guide (Columns 1 thru 11)

1	2	3	4	5	6
SERIES	BODY	ENDS	BALL	STEM	SEAT MATERIAL
BEV9B	6 = 316 Stainless Steel ASTM A351 CF8M	6 = 316 Stainless Steel ASTM A351 CF8M	6 = 316 Stainless Steel ASTM A351 CF8M	6 = 316 Stainless Steel ASTM A276	T = PTFE

7	8	9	10	11
BODY SEAL	END CONNECTIONS	VALVE SIZE	OPTIONS	SPECIAL SERVICES
T = PTFE	SE0 = Threaded Ends (FNPT)	005 = 1/2" 007 = 3/4" 010 = 1" 015 = 1-1/2" 020 = 2"	00 = None	00 = None

Order Example: (BEV9B6666TTSE00050000) The Part Number will contain 21 digits.

Ordering Code Sequence >>

Sample Part Number >>

