

Series 25 SS-CS Ball Valve

Two-Piece Ball Valve, Standard Port
 Sizes 1/4" ~ 2"



The SVF Series 25 SS - CS standard port ball valves are designed for general purpose performance in a wide variety of utility applications. The 25 SS-CS is an economical, 2000 psi, manually operated valve that meets industry requirements for performance and dependability.

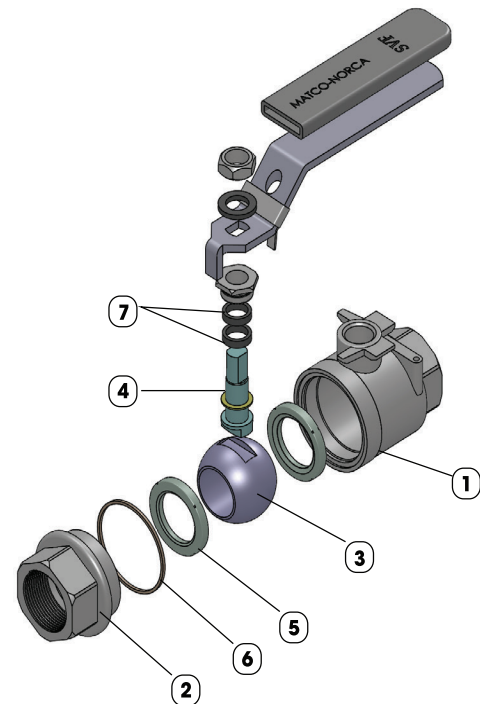
SERIES 25SS-CS DESIGN FEATURES

- ✓ Designed & built for economical performance
- ✓ Pressure rated for 2000 WOG
- ✓ Threaded End Connections
- ✓ Vinyl grip handle
- ✓ Blowout proof stem adds safety & reliability
- ✓ Lockable in the "Open" or "Closed" position



MATERIALS OF CONSTRUCTION

ITEM	DESCRIPTION	MATERIALS SPECIFICATIONS
1	Body	316 Stainless Steel (ASTM A351-CF8M) Carbon Steel (ASTM 216 WCB)
2	End Connector	316 Stainless Steel (ASTM A351-CF8M) Carbon Steel (ASTM 216 WCB)
3	Ball	316 Stainless Steel (ASTM A351-CF8M)
4	Stem	316 Stainless Steel (ASTM A276-316)
5	Seat	RTFE
6	Body Seal	RTFE
7	Stem Seal	RTFE



What do you need today?™



Series 25 SS-CS Ball Valve

Two-Piece Ball Valve, Standard Port

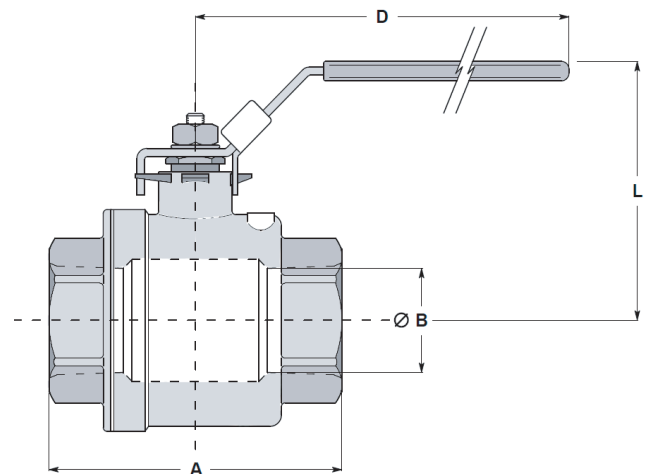
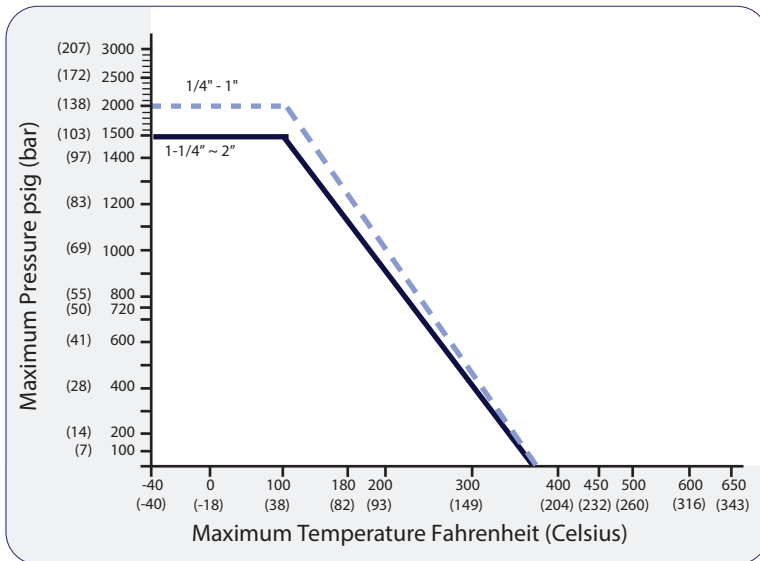
Sizes 1/4" ~ 2"



DIMENSIONS, WEIGHT, C V

Size	A		B		D		L		Weight		Cv
	in.	mm	in.	mm	in.	mm	in.	mm	lbs	kg	
1/4"	2.27	58	0.43	11	4.02	102	2.21	56	0.66	0.30	3
3/8"	2.27	58	0.43	11	4.02	102	2.21	56	0.66	0.30	5
1/2"	2.36	60	0.50	13	4.02	102	2.21	56	0.68	0.31	8
3/4"	3.11	79	0.59	15	4.85	123	2.56	65	1.17	0.53	12
1"	3.35	85	0.79	20	4.85	123	2.68	68	1.59	0.72	30
1-1/4"	4.10	104	0.99	25	6.03	153	3.15	80	2.80	1.27	52
1-1/2"	4.33	110	1.26	32	6.03	153	3.59	91	3.84	1.74	74
2"	5.40	137	1.50	38	7.21	183	3.86	98	4.67	2.12	125

25 SS - CS - PRESSURE/TEMPERATURE CHART



Class 900 (Sizes: 1/4" to 1")

Class 600 (Sizes: 1-1/4" to 2")

25 SS-CS Series Part Numbers

Stainless Steel				Carbon Steel			
Size	Part #	Size	Part #	Size	Part #	Size	Part #
1/4"	25SSTH01M	1"	25SSTH05M	1/4"	25CSTH01M	1"	25CSTH05M
3/8"	25SSTH02M	1-1/4"	25SSTH06M	3/8"	25CSTH02M	1-1/4"	25CSTH06M
1/2"	25SSTH03M	1-1/2"	25SSTH07M	1/2"	25CSTH03M	1-1/2"	25CSTH07M
3/4"	25SSTH04M	2"	25SSTH08M	3/4"	25CSSTH04M	2"	25CSTH08M