

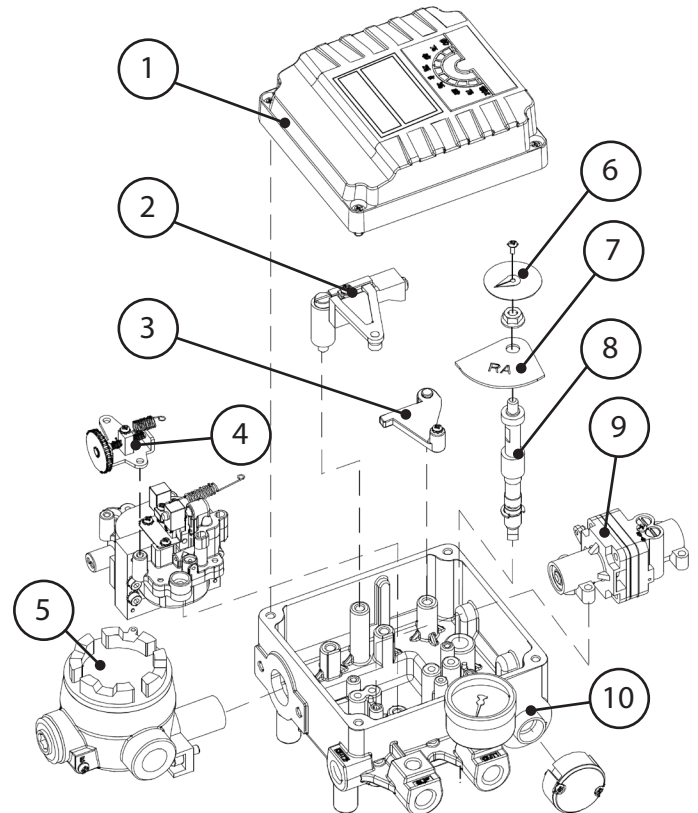
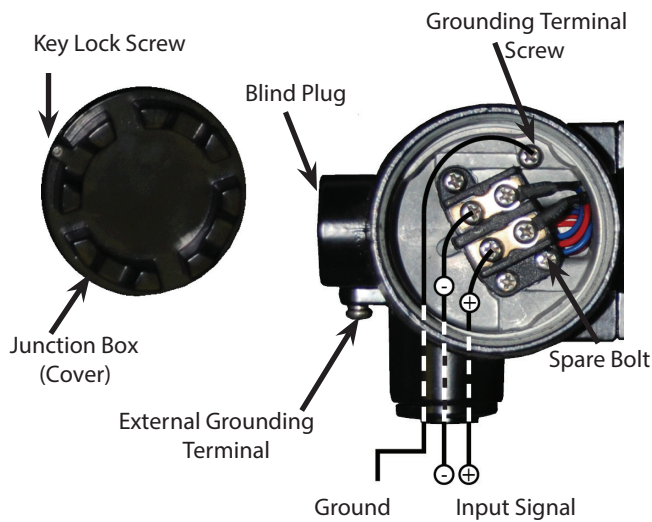
The EXACT-XL™ Electro-Pneumatic Positioner controls the position of a rotary actuator and its final control element by modulating the flow of supply air to the actuator in response to an analog control signal of 4~20 mA. The EXACT-XL positioner can be installed on a Spring Return or Double Acting rotary actuator. The air consumption of the EXACT-XL™ is 0.23 SCFM (at 80 psi).

MATERIALS OF CONSTRUCTION

ITEM	DESCRIPTION	MATERIALS SPECIFICATIONS
1	Cover	Die Cast Aluminum
2	Span Unit	Die Cast Aluminum
3	Connector	Die Cast Aluminum
4	Zero Unit	Stainless Steel
5	Junction Box	Die Cast Aluminum
6	Indicator	Aluminum (Shaft)
7	Cam	Stainless Steel
8	NAMUR Shaft	Stainless Steel
9	Pilot Valve	Die Cast Aluminum
10	Base Body	Die Cast Aluminum

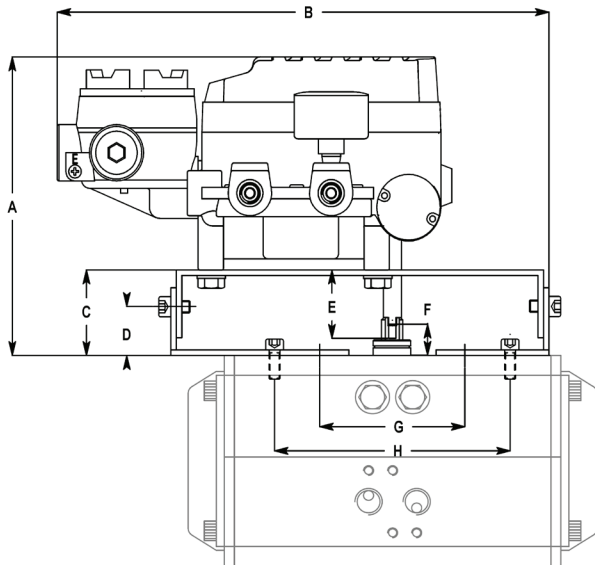


EXACT-XL™ Wiring Diagram

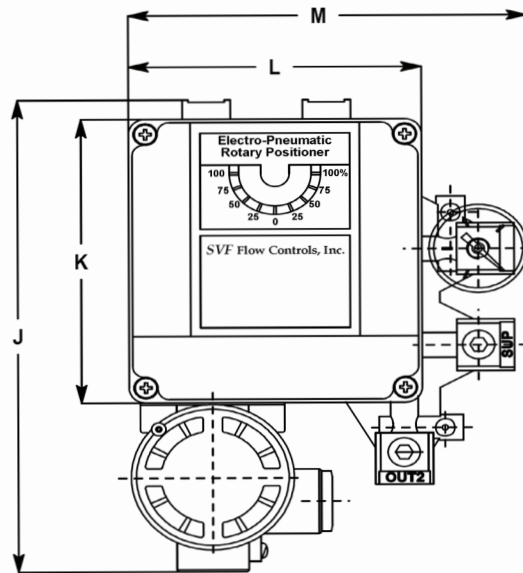


EXACT-P3™ DIMENSION

A		B		C		D		E		F		G*		H*	
in.	mm	in.	mm	in.	mm	in.	mm	in.	mm	in.	mm	in.	mm	in.	mm
6.636	162	10.7	272	1.77	45	1.04	26	1.32	34	0.79	20	3.15	80	5.12	130
J		K		L		M		Air Consumption*							
in.	mm	in.	mm	in.	mm	in.	mm	SLPM				SCFM			
8.66	220	5.24	133	4.80	122	6.49	165	6.50				0.23			



Standard NAMUR Dimensions



*Air Consumption @ 80psi

ORDER CODE PART NUMBER: EXACT-XL