

# Series H7 Ball Valve

Three-Piece High Pressure Ball Valve  
 Sizes 1/2" ~ 2"



The SVF Series H7 Standard Port, high pressure ball valve is designed to meet applications up to 6000 psi. Available in Carbon or Stainless Steel, the H7 adds safety and reliability to high pressure systems and applications in Offshore, Oil & Gas, Petrochemical, Power, CNG and Refining.

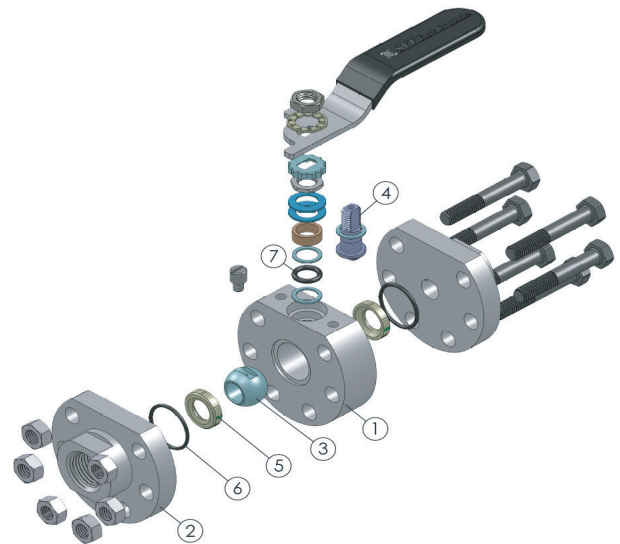
## SERIES H7 DESIGN FEATURES

- ✓ High performance design for process-quality applications
- ✓ High pressure ball valve up to 6000 psi
- ✓ Live-loaded stem seal ensures seal-tight pressure containment even under thermal cycling
- ✓ Three-piece "swing out" design offers easy access for in-line maintenance
- ✓ Standard seat material is Delrin
- ✓ Blowout proof stem adds safety & reliability
- ✓ Stainless steel valves have 316L ends
- ✓ SAE Threaded Ends available (SAE Specification J1926) - Sizes 1/2" to 1"
- ✓ Compression Male Fittings with Nut and Double Ferrule (BL0) ends available - Sizes 3/4" and 1"



## MATERIALS OF CONSTRUCTION

ITEM	DESCRIPTION	MATERIALS SPECIFICATIONS
1	Body	316 Stainless Steel (ASTM A351 CF8M) 316L (ASTM A351-CF8M) Carbon Steel (ASTM A216 WCB) Carbon Steel (A105)
2	End Connector	316 Stainless Steel (ASTM A351 CF8M) 316L (ASTM A351-CF8M) Carbon Steel (ASTM A216 WCB) Carbon Steel (A105)
3	Ball	Stainless Steel 17-4 pH (ASTM A564 - 630) Sizes 1/2", 3/4" & 1" 316 Stainless Steel (ASTM A351- CF8M) Sizes 1-1/2" & 2"
4	Stem	17-4 pH Stainless Steel (ASTM A564 630)
5	Seat	Delrin <sup>®</sup> , PEEK
6	Body Seal	Buna "N", Viton <sup>®</sup> , EPDM
7	Stem Seal	Buna "N", Viton <sup>®</sup> , EPDM



## SERIES H7 NFPA-52 COMPLIANCE

SVF Series H7 Ball Valves have been third party pressure tested up to 4X according to NFPA-52

*What do you need today?*<sup>™</sup>



# Series H7 Ball Valve

Three-Piece High Pressure Ball Valve

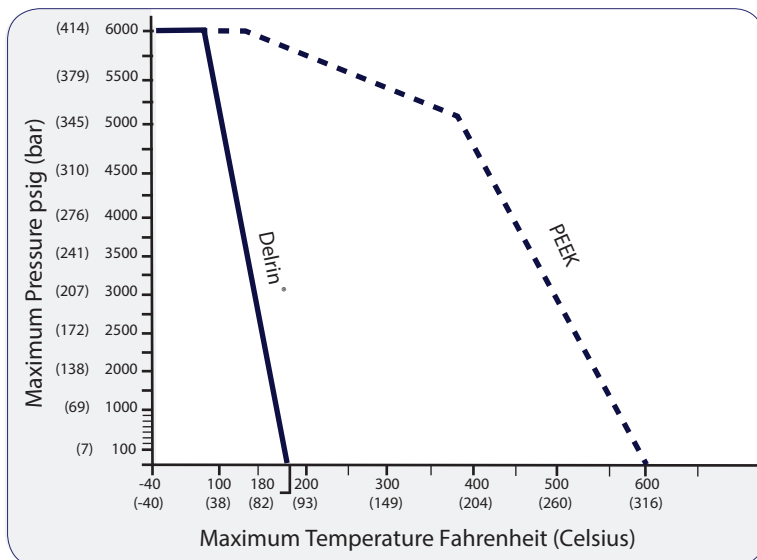
Sizes 1/2" ~ 2"



## DIMENSIONS, WEIGHT, C<sub>v</sub>, TORQUE

Size	A		B		D		L		Weight		C <sub>v</sub>	Torque* Delrin		Torque* PEEK	
	in.	mm	in.	mm	in.	mm	in.	mm	lbs	kg		in-lbf	Nm	in-lbf	Nm
1/2"	2.79	71	0.44	11	5.00	127	1.81	46	3.5	1.6	8	60	7	66	7
3/4"	3.42	87	0.56	14	5.00	127	1.89	48	5.3	2.4	12	200	23	220	25
1"	4.01	102	0.81	21	5.98	152	2.40	61	9.9	4.5	32	300	34	330	37
1-1/2"	5.03	128	1.25	32	10.98	279	3.19	81	20.9	9.5	80	550	62	605	68
2"	5.64	143	1.50	38	10.98	279	3.31	84	28.9	13.1	104	1100	124	1210	137

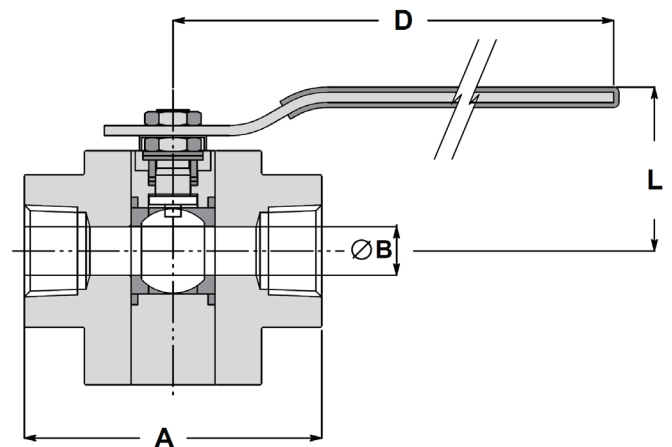
## H7 - PRESSURE/TEMPERATURE CHART



Class 2500

Note: Maximum pressure & temperature is limited to the seat material rating

\* At full differential pressure for clean fluids



# Series H7 Ball Valve

Three-Piece High Pressure Ball Valve  
 Sizes 1/2" ~ 2"



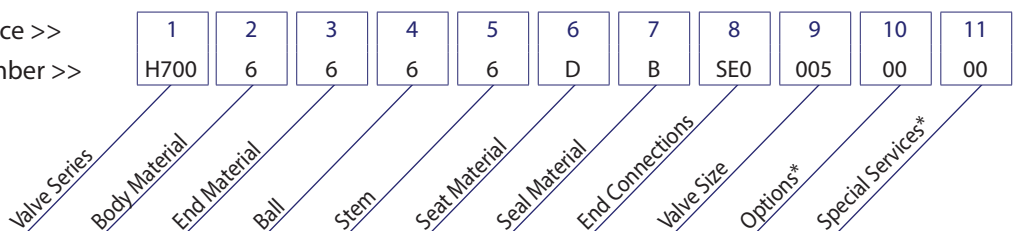
How To Order Guide (Columns 1 thru 11)

1 SERIES	2 BODY	3 ENDS	4 BALL	5 STEM	6 SEAT MATERIAL	7 BODY SEAL	8 END CONNECTIONS	9 VALVE SIZE	10 OPTIONS*	11 SPECIAL SERVICES*
H700	4 = Carbon Steel ASTM A216 WCB or ASTM A105  6 = 316 Stainless Steel ASTM A351 CF8M or ASTM A479 316L	4 = Carbon Steel ASTM A216 WCB or ASTM A105  6 = 316L Stainless Steel ASTM A351 CF3M or ASTM A479 316L	6 = 316 Stainless Steel ASTM A351 CF8M  NOTE: Size 1/2" to 1" Valve requires 17-4 pH Ball	M = 17-4pH Stainless Steel ASTM A564 630	D = Delrin K = PEEK	B = Buna "N"  V = Viton  E = EPDM	SE0 = Threaded Ends (FNPT)  SW0 = Socket Weld Ends  SAE = Threaded Ends per SAE Specification J1926 (Sizes 1/2" to 1")  AAA = Threaded End (FNPT) X Socket Weld End  AAP = Threaded End (SAE) X Socket Weld End (Sizes 1/2" to 1")  BL0 = Compression Nut and Double Ferrule Ends (Sizes 3/4 and 1")	005 = 1/2"  007 = 3/4"  010 = 1"  015 = 1-1/2"  020 = 2"	00 = None LK = Locking Device AD = Anti-Static Device AC = Locking Device & Anti-Static Device	00 = None UH = Vent/Relief Hole <sup>1</sup> HC = High Cycle Stem Kit

Order Example: (H7006666DBSE00050000) The Part Number will contain 20 digits.

Ordering Code Sequence >>

Sample Part Number >>



<sup>1</sup> Vent Hole is on the Upstream Side

\*Not all Options or Special Services available on all ball valves. Consult SVF for additional information.