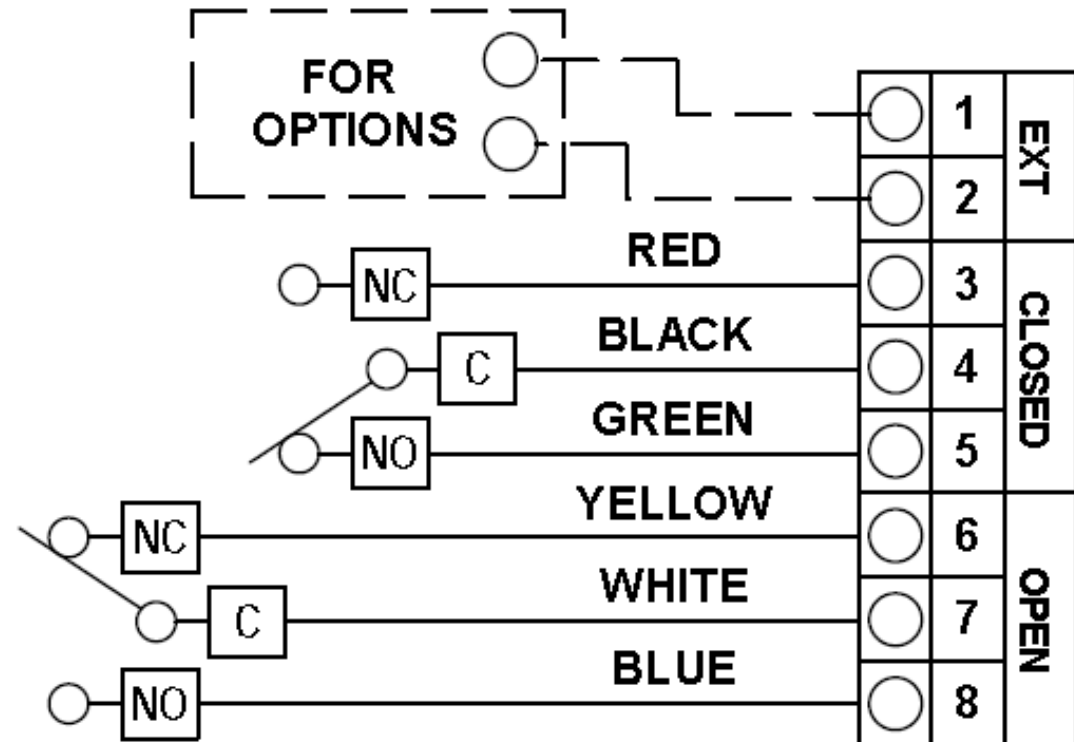
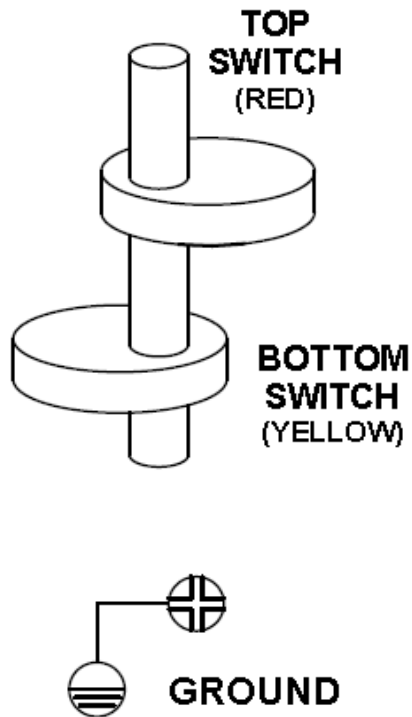


WIRING DIAGRAMS FOR STANDARD MECHANICAL SWITCH, 2SPDT, 15A 125-250VAC



Mechanical Switches M2B= (Standard) 2 SPDT, 15A 125-250VAC, 3A/24VDC (Wiring Diagram # WDNX2M2B)

**NOTE: This wiring diagram covers all voltages of all Pilot Valves.
Check the coil rating and product part number before energizing coil.**